

Safety Instructions



0,1,2,3,4,6,7,11,12,13,
15,18,22,25,26,27

Info Hotline 

+49 (0) 5041 998 389

Mon. - Do. 7⁰⁰ - 20⁰⁰

Fr. 7⁰⁰ - 17⁰⁰

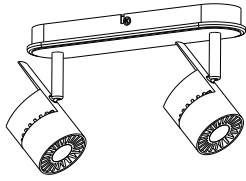


Paulmann Licht GmbH
31832 Springe /Germany
www.paulmann.com

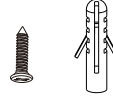
Art.-Nr.:
601.64

(+MA 173)

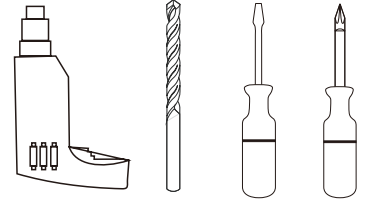
PSU 11/11



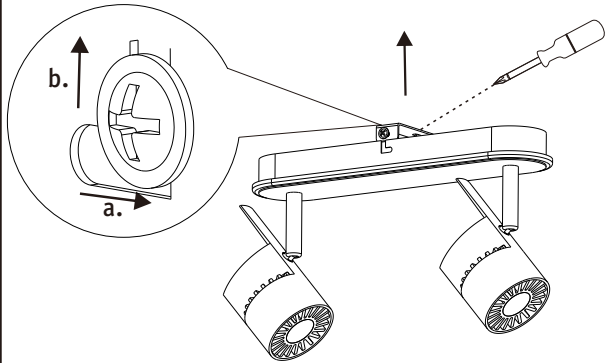
1x



incl.

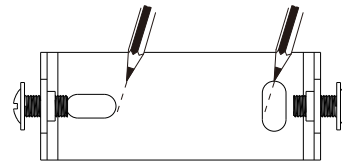


A

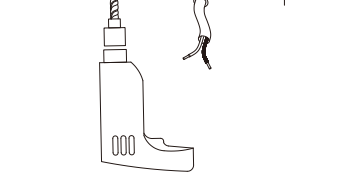


B

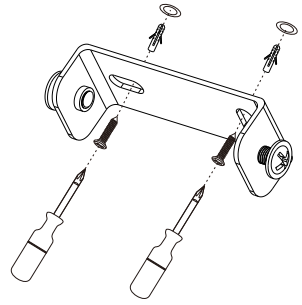
1.



2.



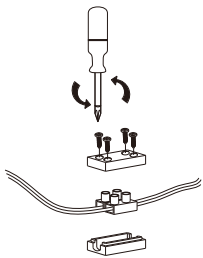
3.



Safety Instructions
Nr. 0,1,2

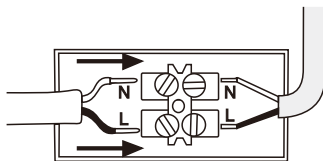
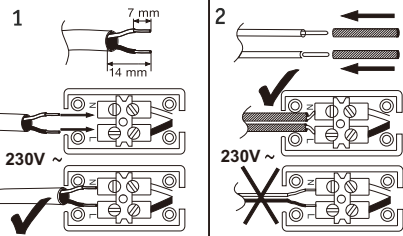
C

1.

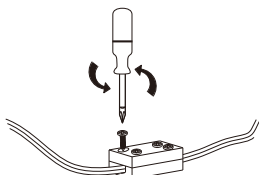


Safety Instructions
Nr. 0,1,4

2.

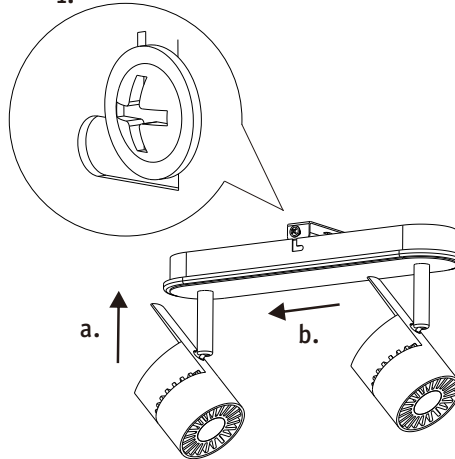


3.

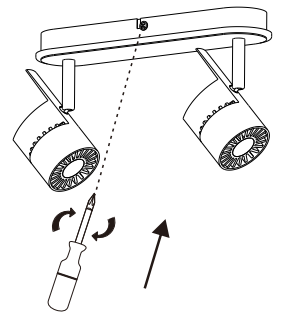


D

1.



2.



A,B,D

C

