



# Safety Instructions



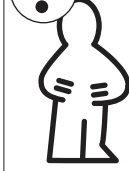
0, 1, 2, 4, 6, 7, 8, 9, 11, 15,  
18, 20, 22, 27

Info Hotline

**+49 (0) 5041 998 389**

Mon. - Do. 7<sup>00</sup> - 20<sup>00</sup>

Fr. 7<sup>00</sup> - 17<sup>00</sup>



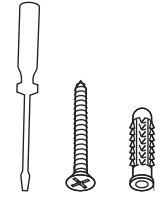
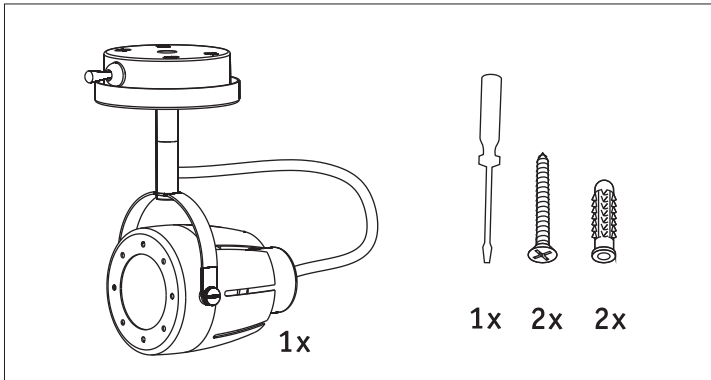
**Paulmann Licht GmbH**  
Quezinger Feld 2  
31832 Springe/Germany  
www.paulmann.com

Art.-Nr.:

**602.76**

(+MA 173)

PH 08/13



1x 2x 2x

