



Safety Instructions



0, 1, 2, 3, 4, 6, 7, 8, 9, 10, 11,
15, 18, 22, 25, 26, 27



Info Hotline **+49 (0) 5041 998 389**
Mon. - Do. 7⁰⁰ - 20⁰⁰
Fr. 7⁰⁰ - 17⁰⁰

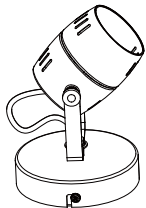


Paulmann Licht GmbH
31832 Springe / Germany
www.paulmann.com

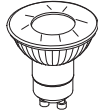
Art.-Nr.:
602.85

(+MA 173)

PEA 06/14



1X



1X



1X



2X

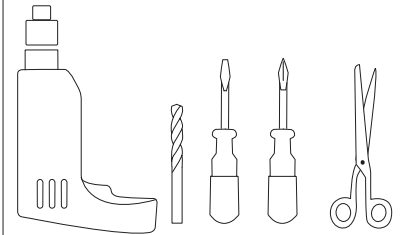


2X

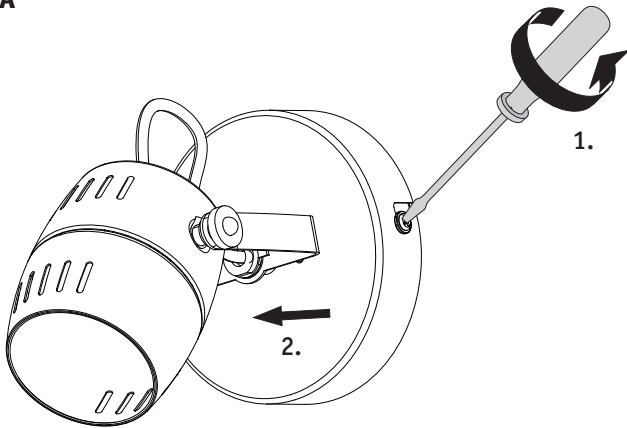
incl.
1 x 3.5W
GU10



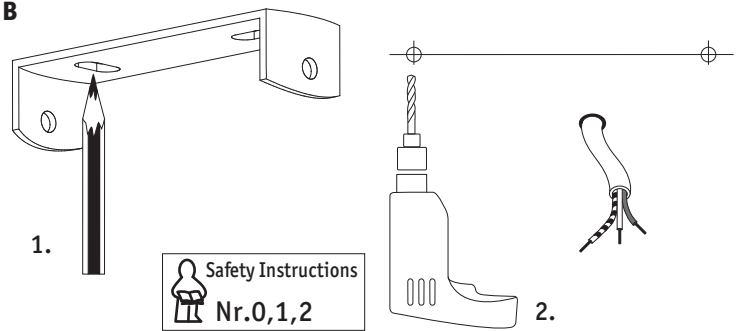
Paulmann
Art.-Nr. 282.19



A

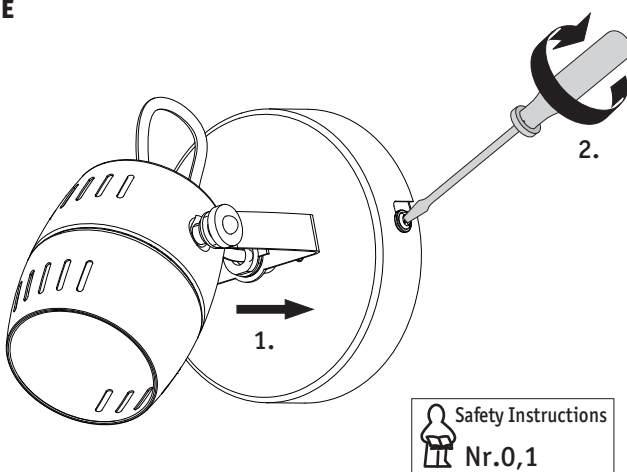


B



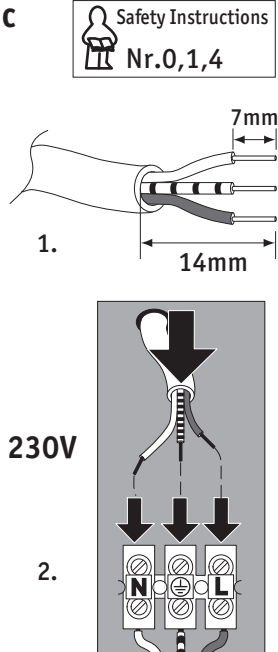
Safety Instructions
Nr. 0, 1, 2

E



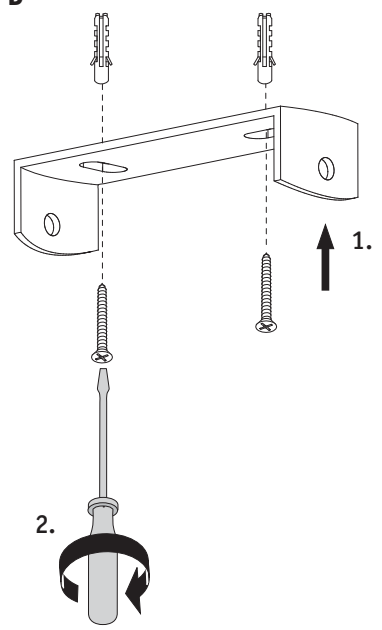
Safety Instructions
Nr. 0, 1

C

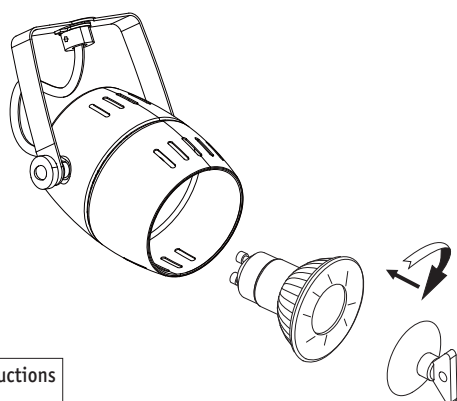


Safety Instructions
Nr. 0, 1, 4

D

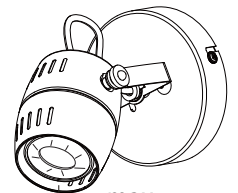


F



Safety Instructions
Nr. 0, 1, 4

Safety Instructions
Nr. 9



max.
40W

>0.5m =

