



Safety Instructions



0, 1, 2, 3, 4, 6, 7, 8, 9, 10, 11, 15, 18, 22, 25, 26, 27



Info Hotline

+49 (0) 5041 998 389

Mon. - Do. 7⁰⁰ - 20⁰⁰

Fr. 7⁰⁰ - 17⁰⁰

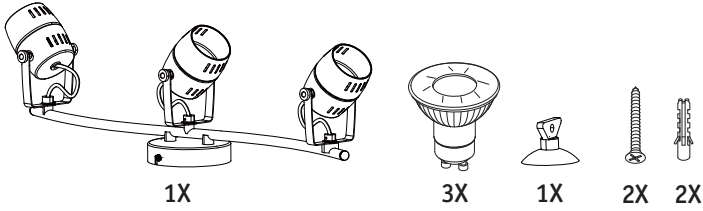


Paulmann Licht GmbH
31832 Springe / Germany
www.paulmann.com

Art.-Nr.:
602.87

(+MA 173)

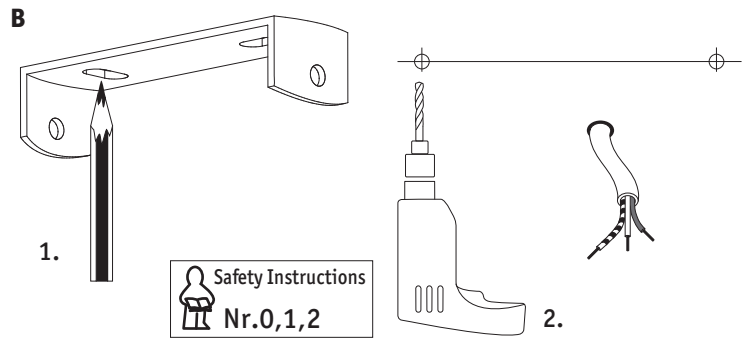
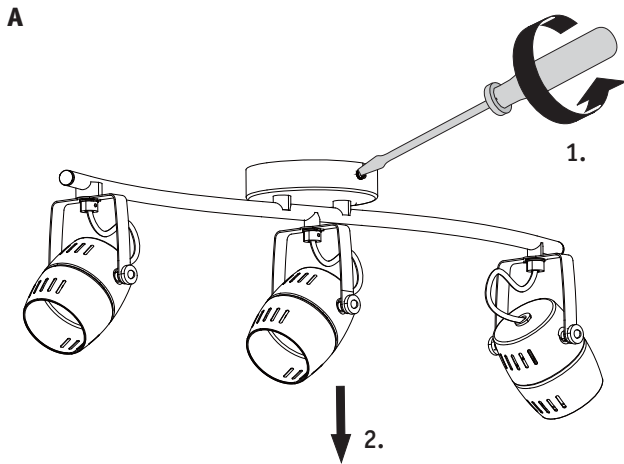
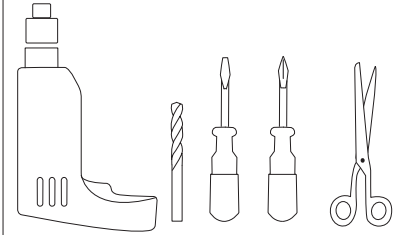
PEA 06/14



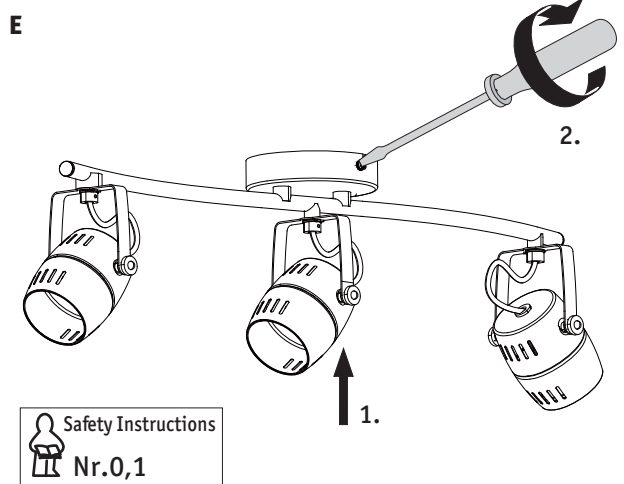
incl.
3 x 3.5W
GU10



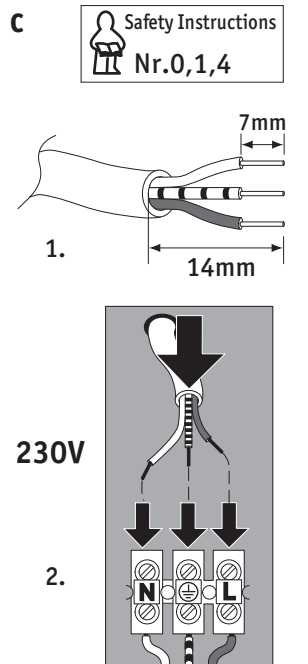
Paulmann
Art.-Nr. 282.19



Safety Instructions
Nr. 0, 1, 2



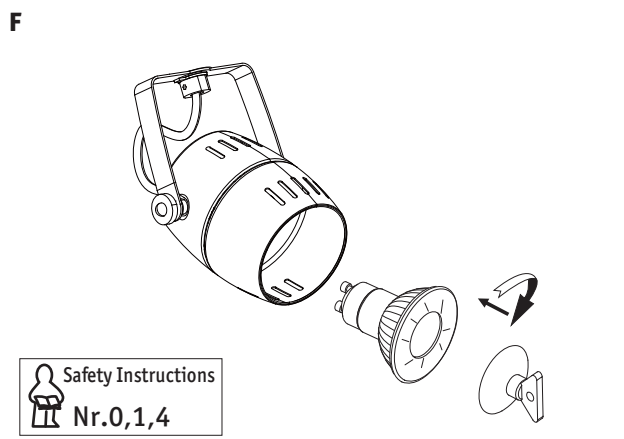
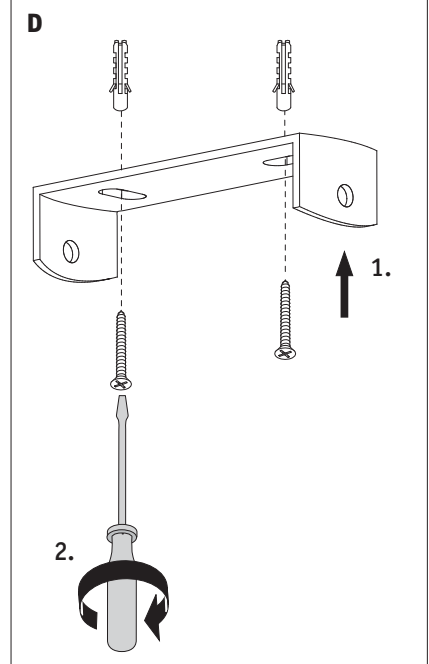
Safety Instructions
Nr. 0, 1



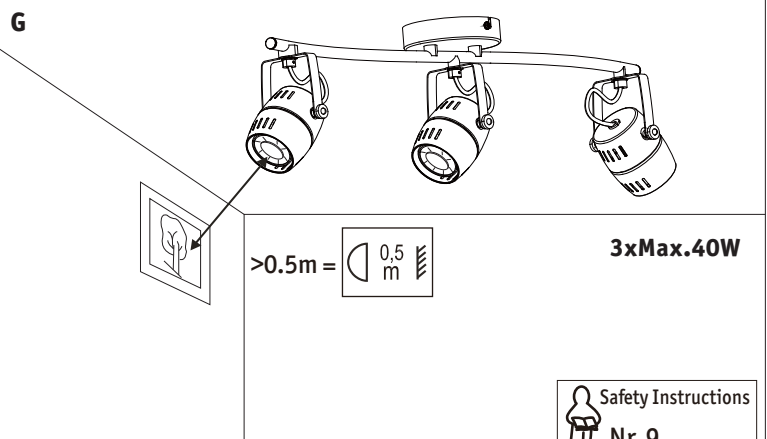
Safety Instructions
Nr. 0, 1, 4

230V

2.



Safety Instructions
Nr. 0, 1, 4



>0.5m = 0.5m

3xMax.40W

Safety Instructions
Nr. 9