

Safety Instructions



0,1,2,4,6,7,8,9,11,
15,18,20,22,27



Info Hotline

+49 (0) 5041 998 389

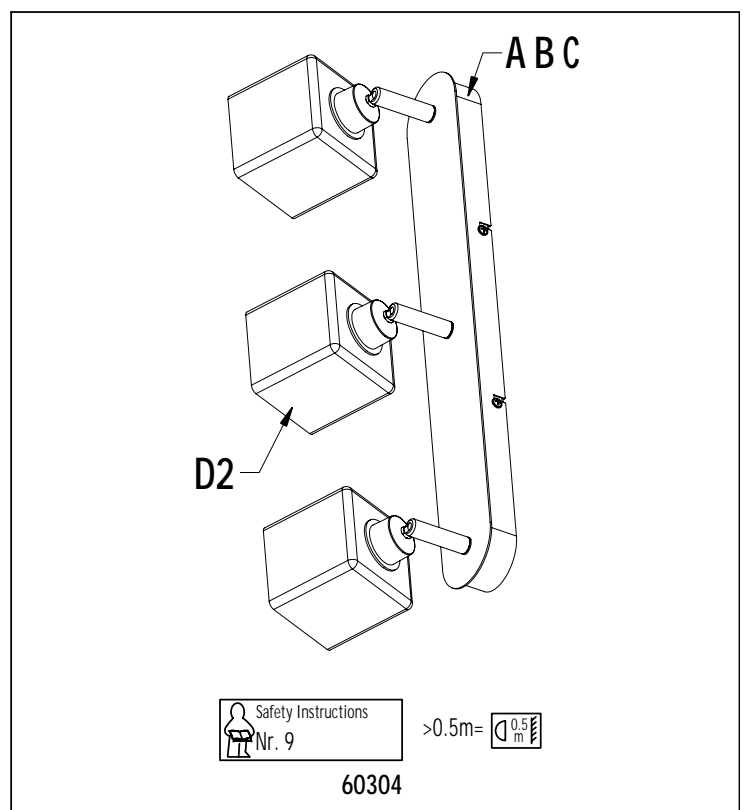
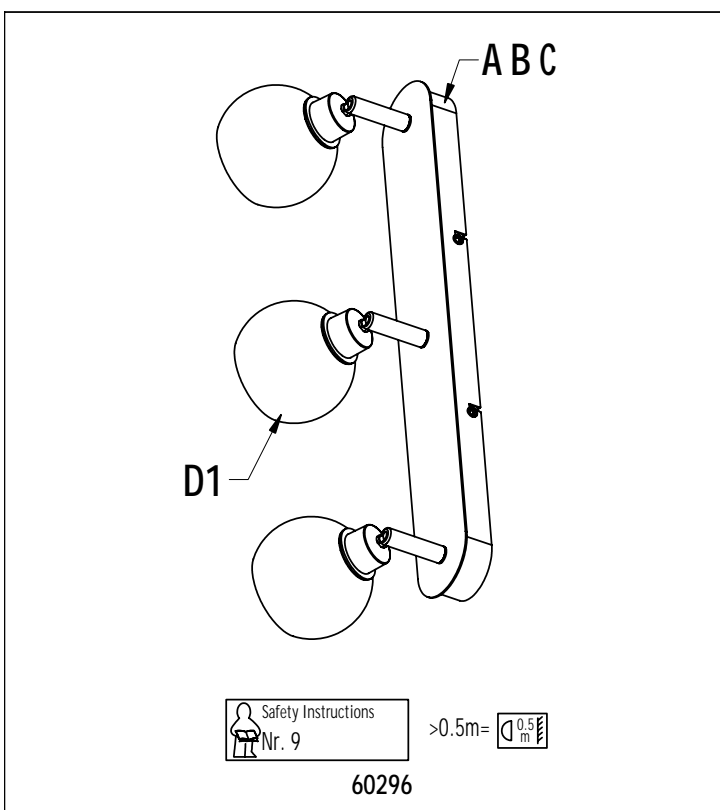
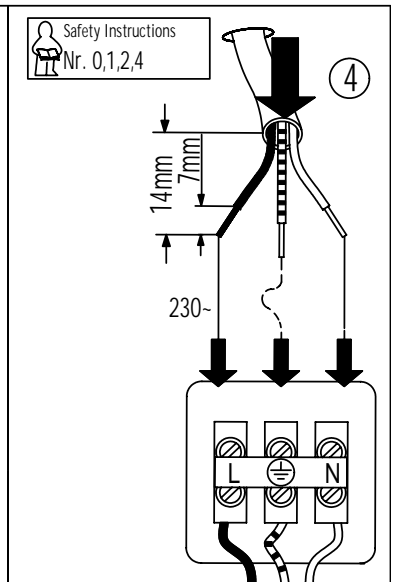
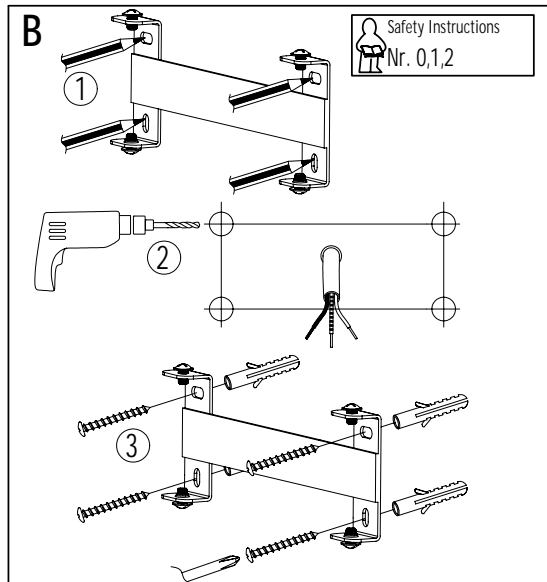
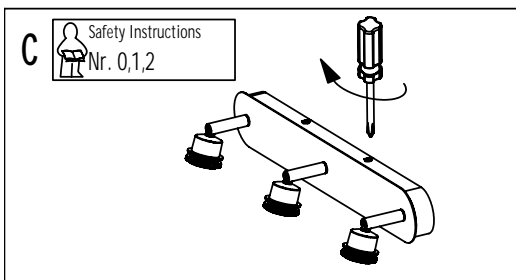
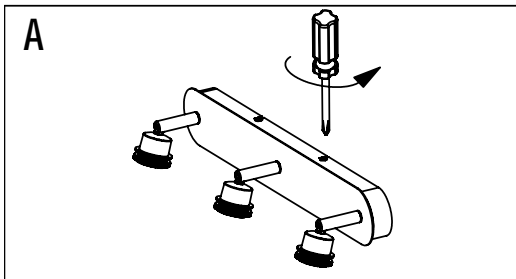
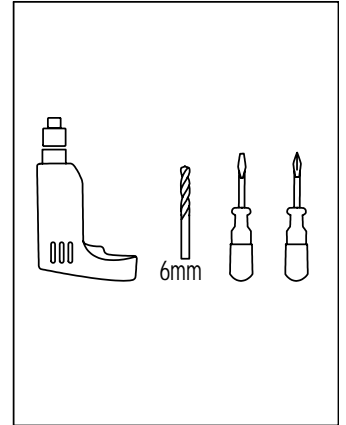
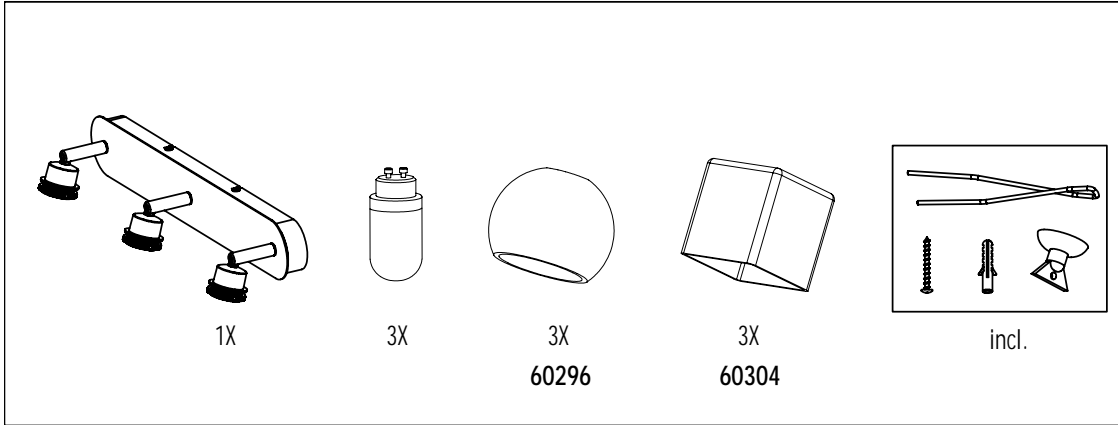
Mon.-Do. 7⁰⁰-20⁰⁰

Fr. 7⁰⁰-17⁰⁰

Paulmann Licht GmbH
31832 Springe / Germany
www.paulmann.com

Art.-Nr.:
60296
60304

(+MA 173)
PDG 05/14



Safety Instructions



0,1,2,4,6,7,8,9,11,
15,18,20,22,27

Info Hotline



+49 (0) 5041 998 389

Mon.-Do. 7⁰⁰-20⁰⁰

Fr. 7⁰⁰-17⁰⁰



Paulmann Licht GmbH
31832 Springe / Germany
www.paulmann.com

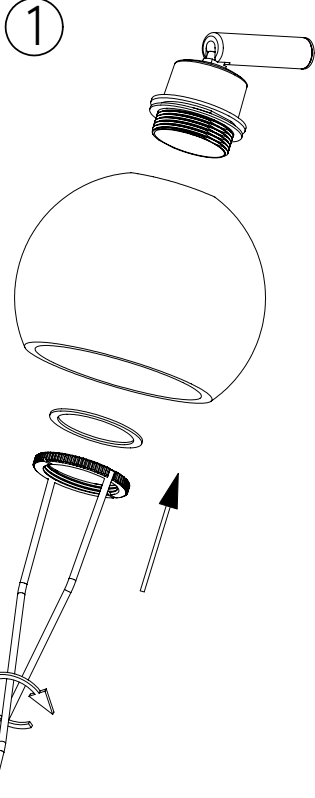
Art.-Nr.:
60296
60304

(+MA 173)

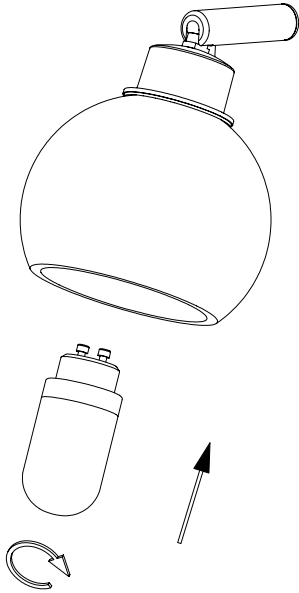
PDG 05/14 **CE**

D1

Safety Instructions
Nr. 0,1

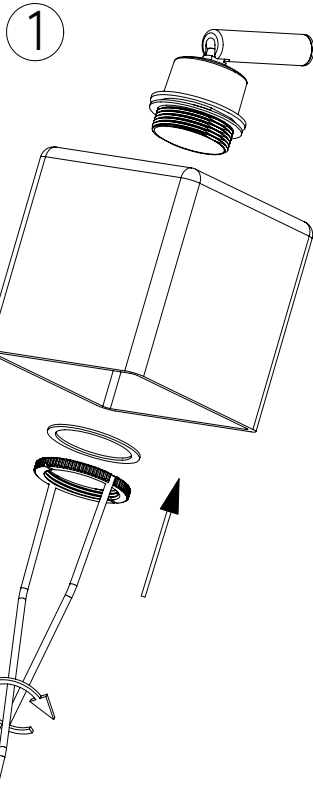


2



D2

Safety Instructions
Nr. 0,1



2

