

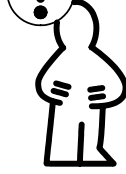
Safety Instructions



0,1,2,4,6,7,8,9,11,
15,18,20,22,27



Info Hotline



+49 (0) 5041 998 389

Mon.-Do. 7⁰⁰-20⁰⁰

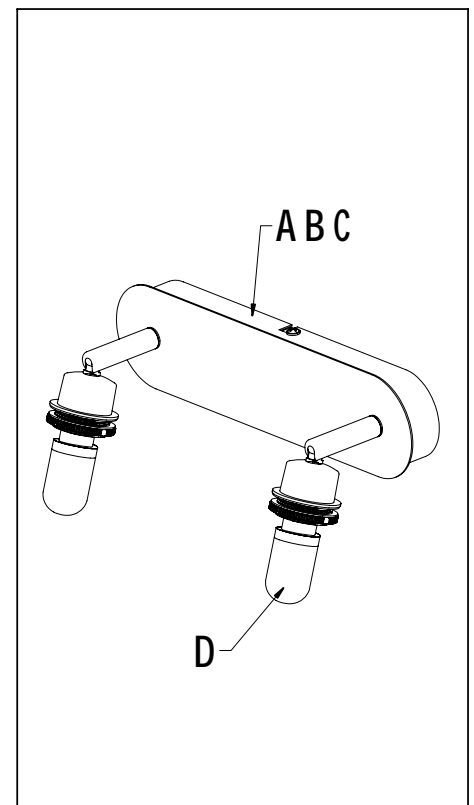
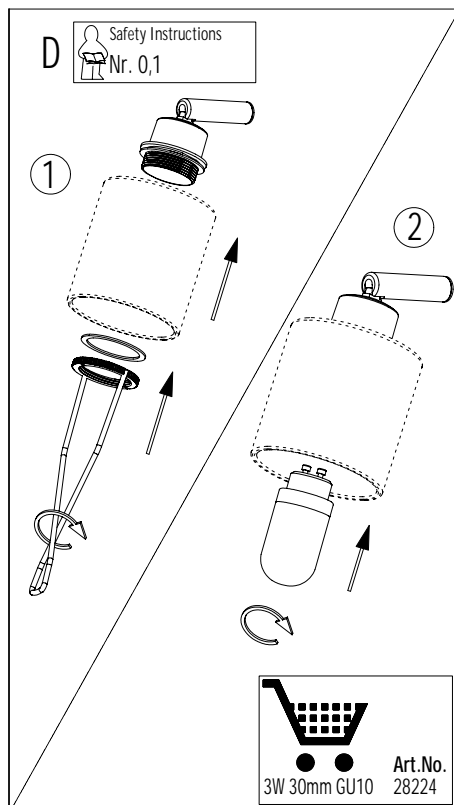
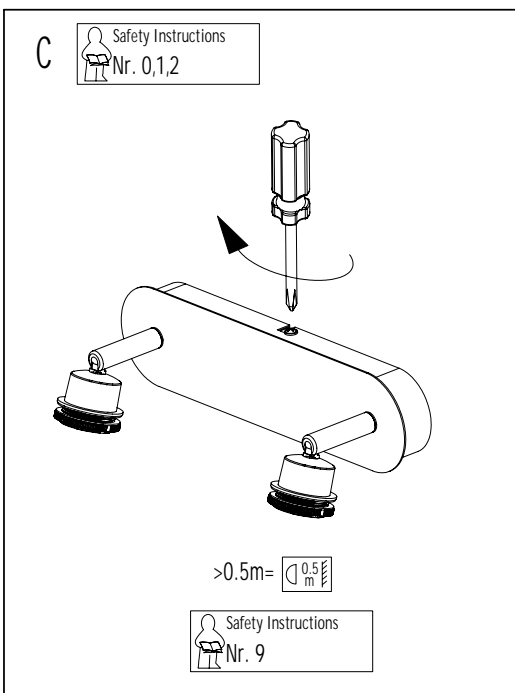
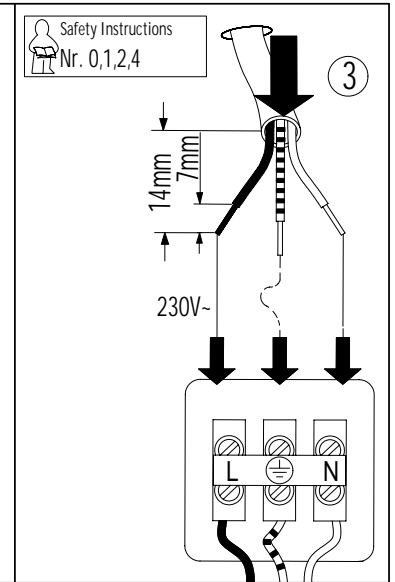
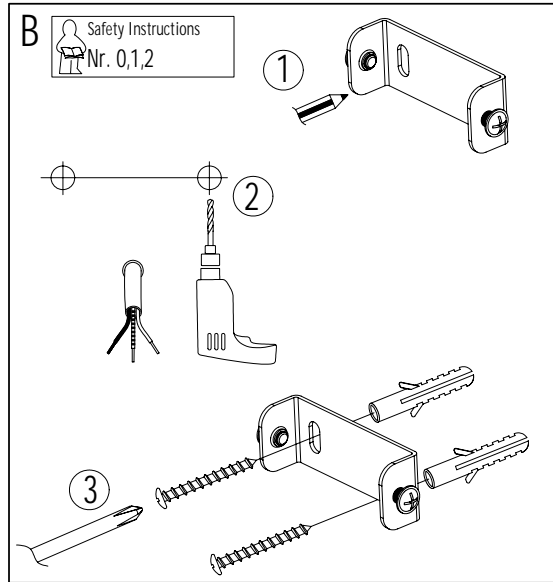
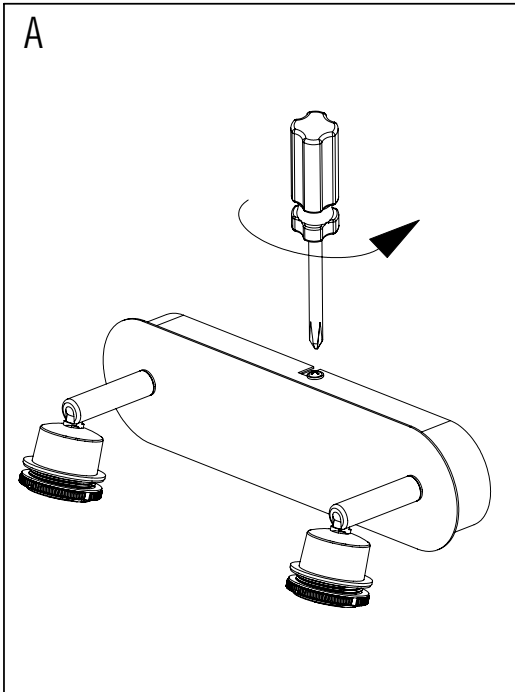
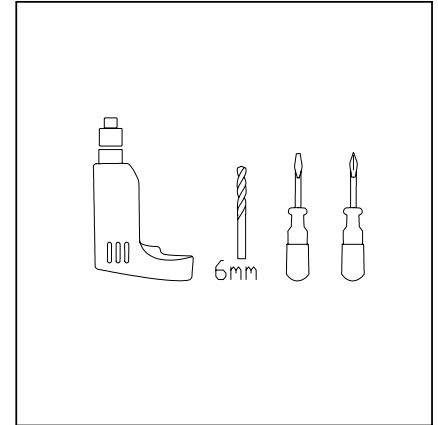
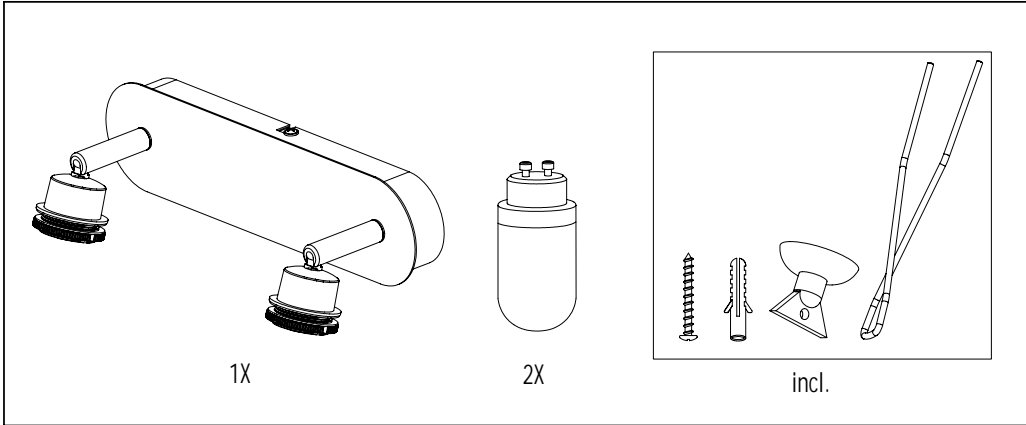
Fr. 7⁰⁰-17⁰⁰

Paulmann Licht GmbH
31832 Springe / Germany
www.paulmann.com

Art.-Nr.:
60307
60311

(+MA 173)

PDG 05/14



>0.5m= $\varnothing 0.5 \frac{m}{m}$

Safety Instructions
Nr. 9



3W 30mm GU10 Art.No. 28224