

## Safety Instructions



0, 1, 2, 4, 6, 7, 8, 9, 11,  
15, 22, 27



## Info Hotline



+49 (0) 5041 998 389

Mon.-Do. 7:00 - 20:00

Fr. 7:00 - 17:00

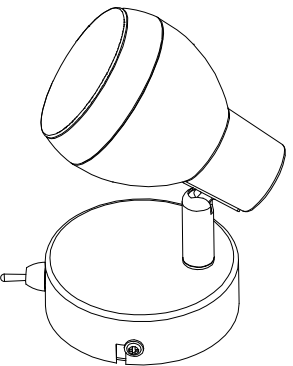
Paulmann Licht GmbH  
31832 Springe / Germany  
www.paulmann.com

Art.-Nr.:

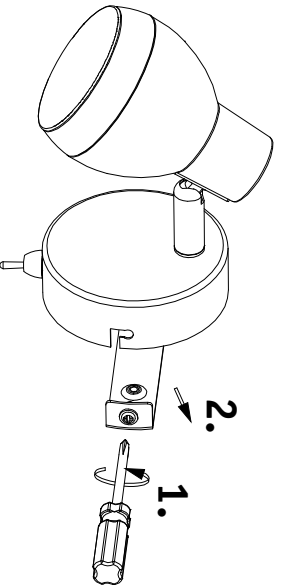
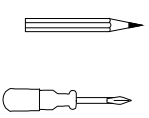
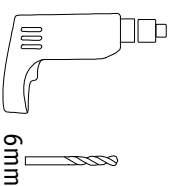
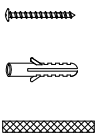
603.64

(+MA 173)

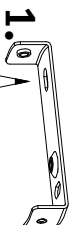
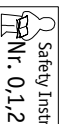
PUP 12/14



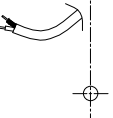
incl.



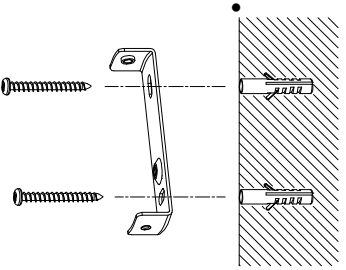
## B Safety Instructions



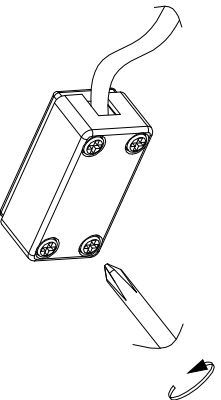
2.



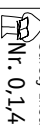
3.



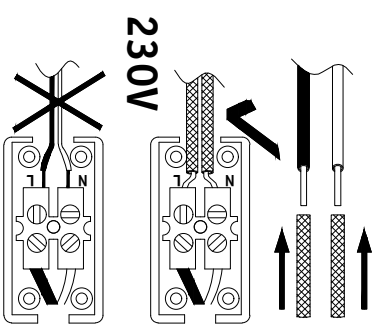
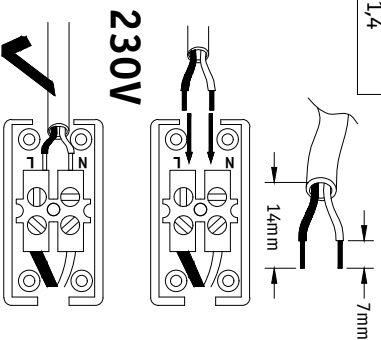
## C



## D Safety Instructions



Nr. 0,1,4



## E

