



# Safety Instructions



0, 1, 2, 3, 4, 6, 7, 8, 9, 11,  
15, 18, 20, 22, 25, 26, 27



Info Hotline

+49 (0) 5041 998 389

Mon. - Do. 7<sup>00</sup> - 20<sup>00</sup>

Fr. 7<sup>00</sup> - 17<sup>00</sup>

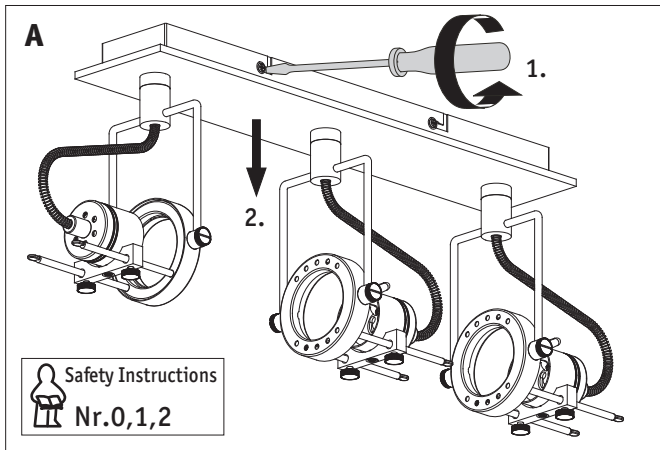
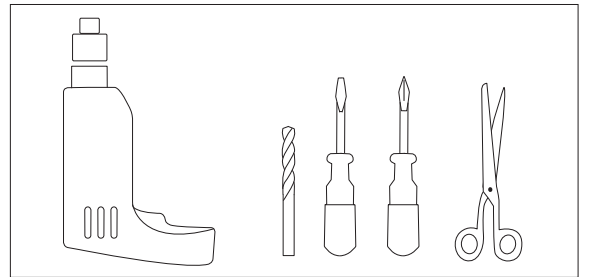
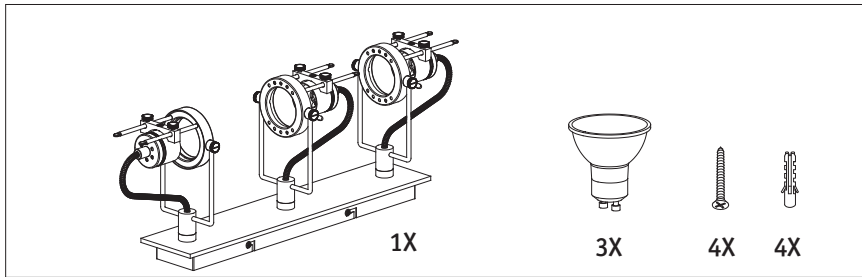
Paulmann Licht GmbH  
31832 Springe / Germany  
www.paulmann.com

Art.-Nr.:

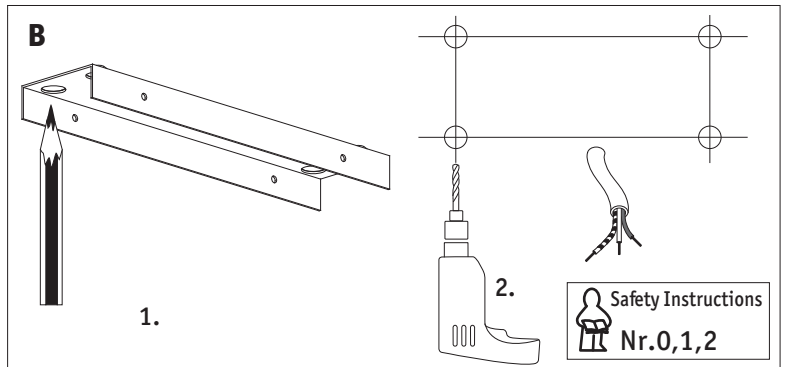
66170

(+MA 173)

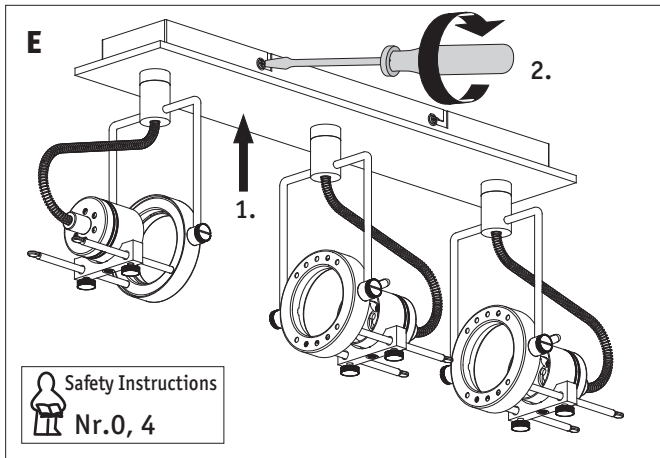
PEA 08/09



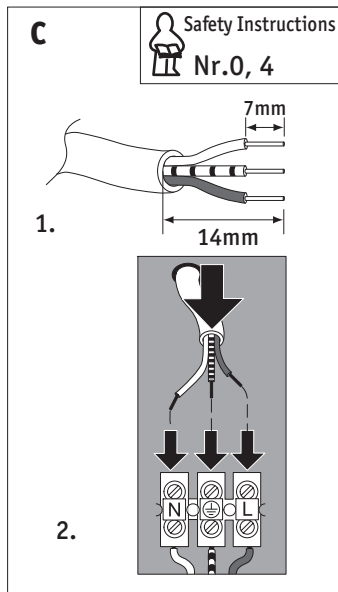
Safety Instructions  
Nr. 0, 1, 2



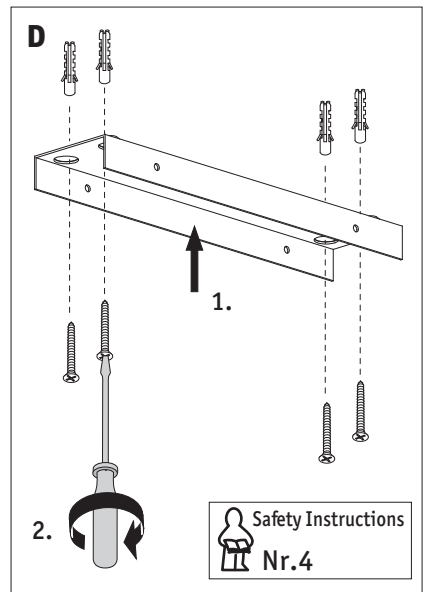
Safety Instructions  
Nr. 0, 1, 2



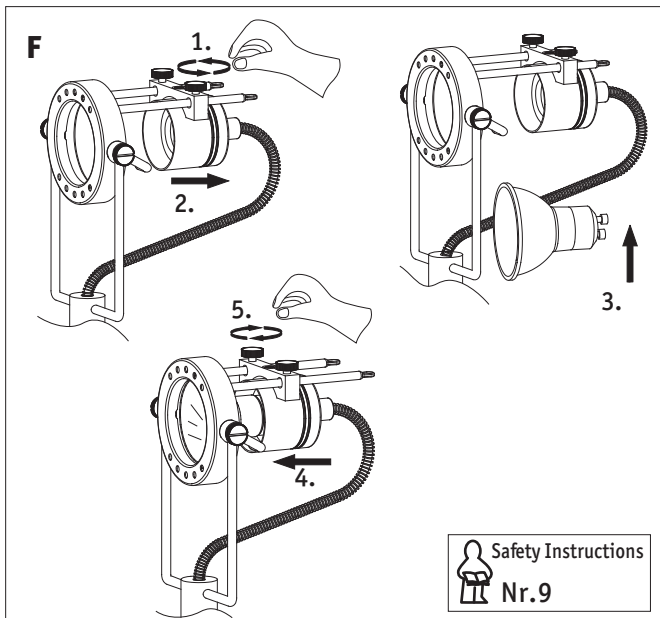
Safety Instructions  
Nr. 0, 4



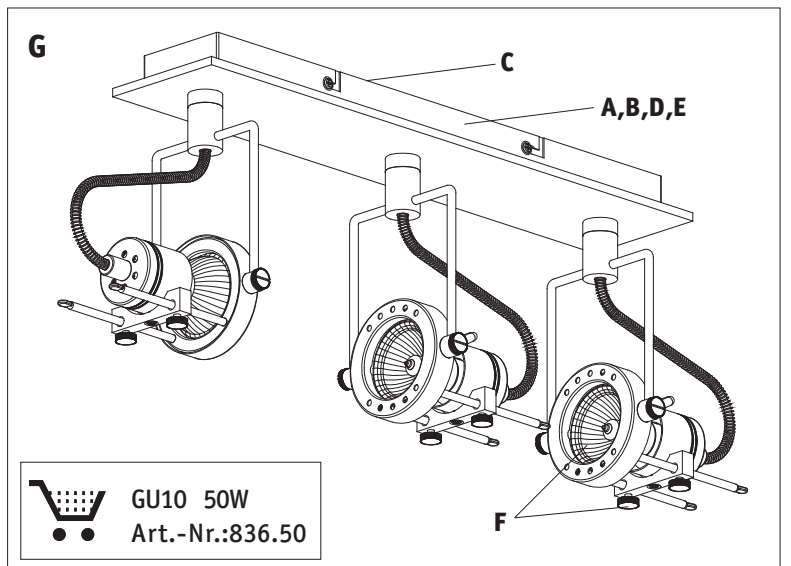
Safety Instructions  
Nr. 0, 4



Safety Instructions  
Nr. 4



Safety Instructions  
Nr. 9



GU10 50W  
Art.-Nr.: 836.50