



**Safety Instructions**

0, 1, 2, 3, 4, 5, 6, 7, 8, 9, 10,  
11, 15, 18, 22, 25, 26 27

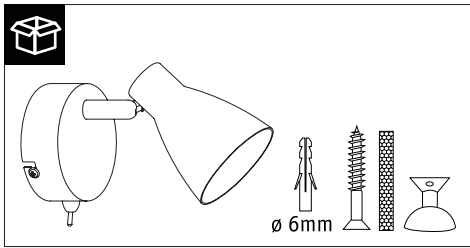
**Info Hotline**

**+49 (0) 5041 998 389**  
Mon. - Do. 7<sup>00</sup> - 20<sup>00</sup>  
Fr. 7<sup>00</sup> - 17<sup>00</sup>

Paulmann Licht GmbH  
Quezinger Feld 2  
31832 Springe  
Germany  
[www.paulmann.com](http://www.paulmann.com)

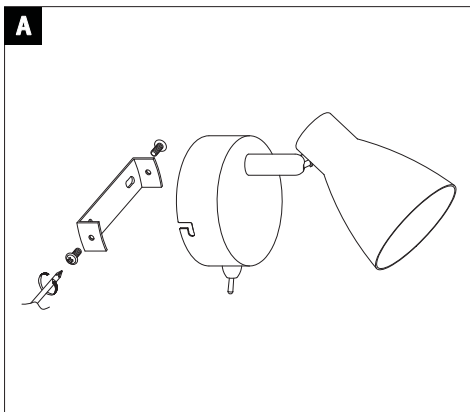
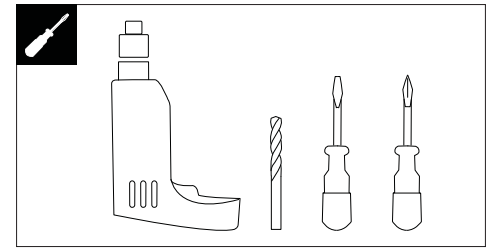
Art.-Nr.: 66543/66557

(+MA 173) POM 01/15



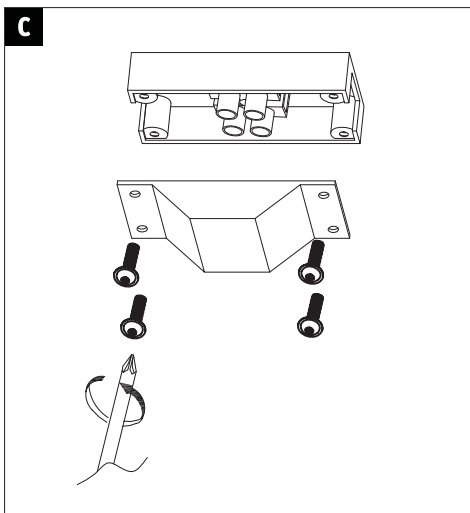
incl.  
1x3.5W  
GU10 LED

Art.-Nr.28299  
[www.paulmann.com](http://www.paulmann.com)



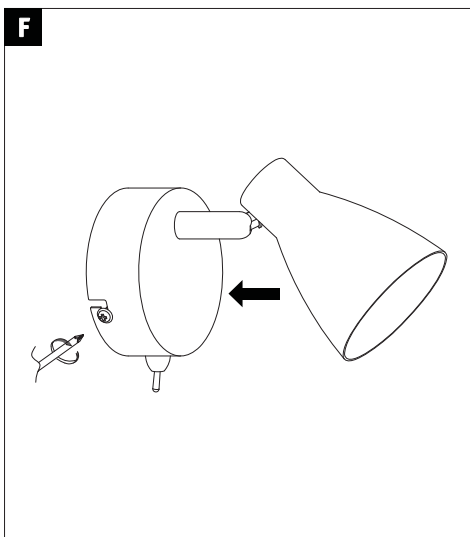
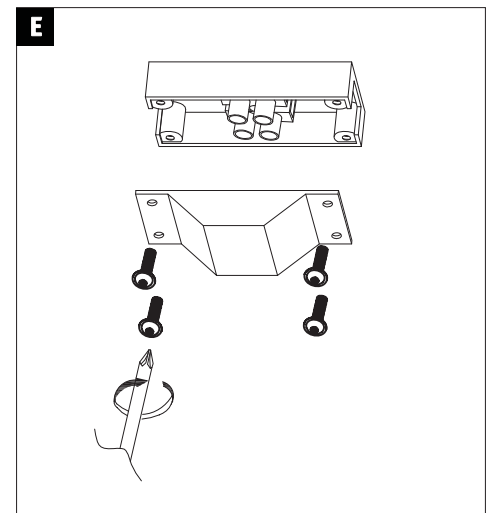
**B**

**Safety Instructions**  
Nr. 0, 1, 2



**D**

**Safety Instructions**  
Nr. 0, 1, 4



**G**

**Safety Instructions**  
Nr. 0, 1, 4

**H**

**Safety Instructions**  
Nr. 9

0,5 m **Max. 40W**