



Safety Instructions

0, 1, 2, 3, 4, 6, 7, 8, 9, 11,
15, 18, 20, 22

Info Hotline

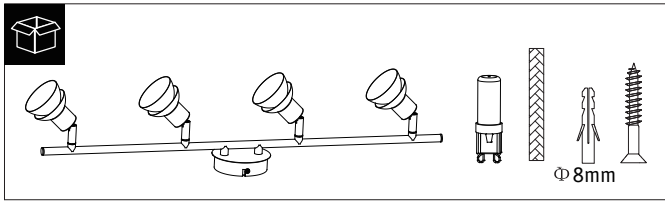
+49 (0) 5041 998 389
Mon. - Do. 7⁰⁰ - 20⁰⁰
Fr. 7⁰⁰ - 17⁰⁰

Paulmann Licht GmbH
Quezinger Feld 2
31832 Springe
Germany

www.paulmann.com

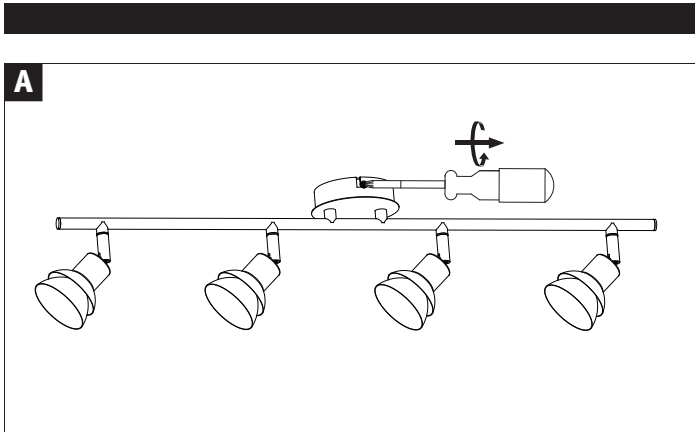
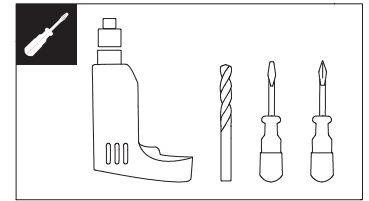
Art.-Nr.: **666.21**

(+MA 173) PEA 01/16



incl.
4 x 2.2W
G9

Art.-Nr.283.38
www.paulmann.com



B

Safety Instructions
Nr. 0,1,2

70mm

C

Safety Instructions
Nr. 0

7mm

