



Paulmann

Safety Instructions

1,2,3,4,5,6,7,8,12,17,
18,20,21,25,26,28,33,34,



31.08.2021



A⁺⁺ - A

01.09.2021



F



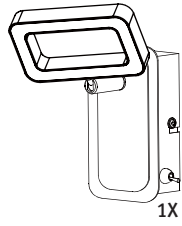
www.paulmann.com/symbols

Paulmann Licht GmbH
Quezinger Feld 2
31832 Springe
Germany

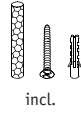
www.paulmann.com

Art.-Nr. : 666.38

(+MA 326) PLD 11/20



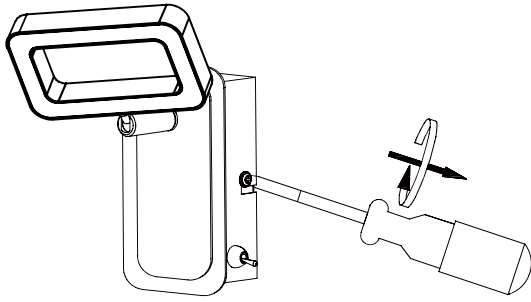
1X



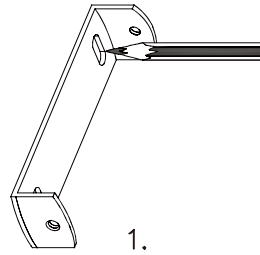
incl.



A



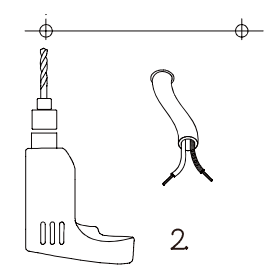
B



1.

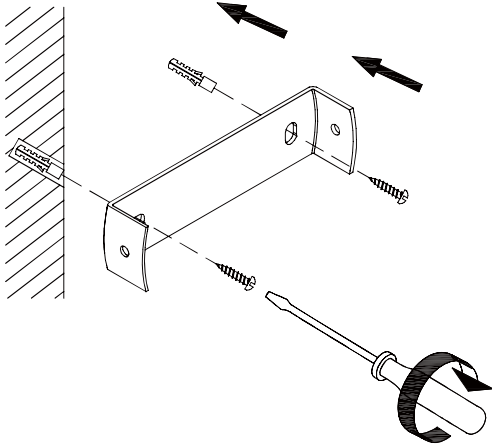


Safety Instructions
Nr. 4, 5, 6, 7

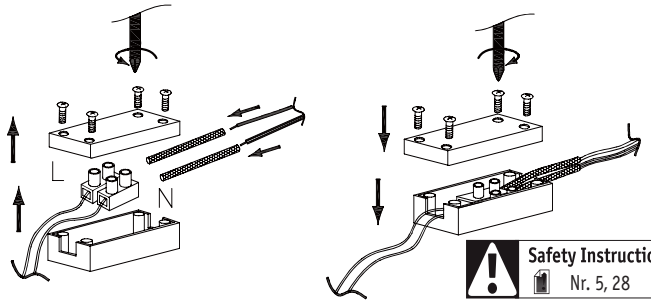


2.

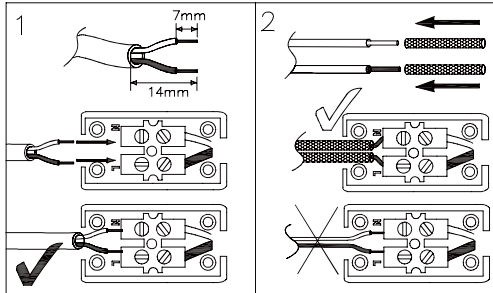
C



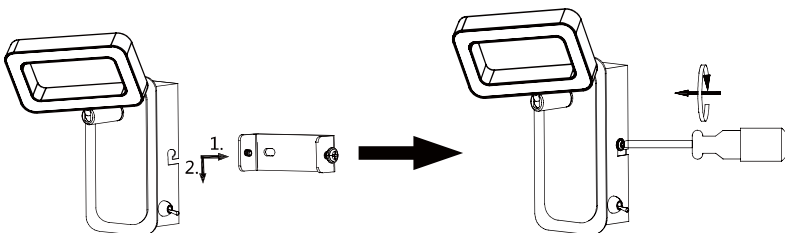
D



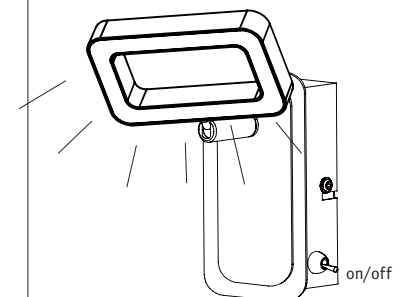
Safety Instructions
Nr. 5, 28



E



F



on/off



