


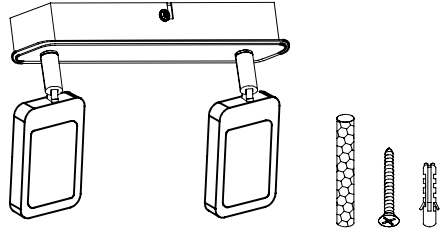


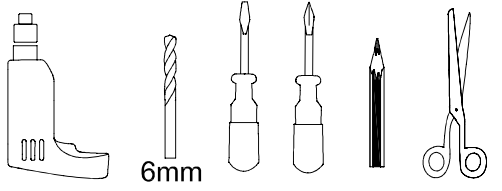


1,2,3,4,5,6,7,8,12,14,17,
18,20,21,26,28,33,34



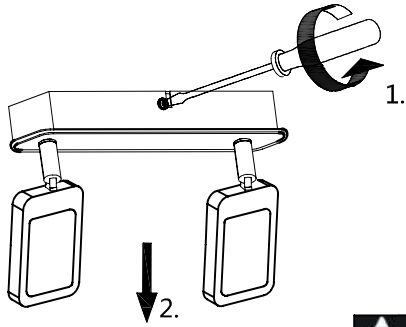
+49 (0) 5041 998 389
Mon.-Do.7⁰⁰ -20⁰⁰
Fr.7⁰⁰ -17⁰⁰

Art.-Nr.:66643
(+MA 326) PHO 03/16


6mm

A



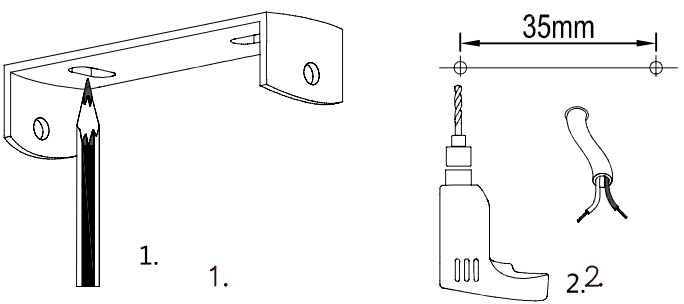
1.

2.



Safety Instructions
s Nr.5


B



1.

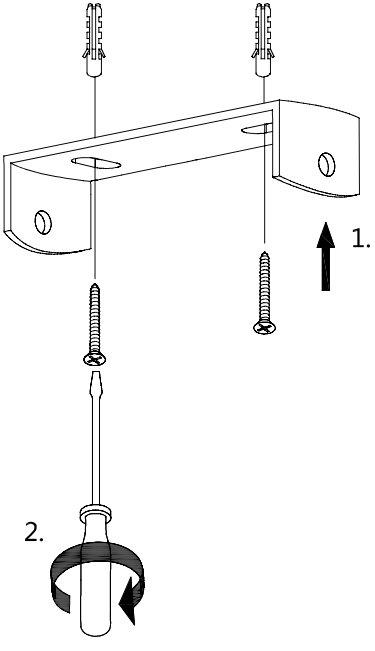
1.

2.2.



Safety Instructions
s Nr. 2,5,7

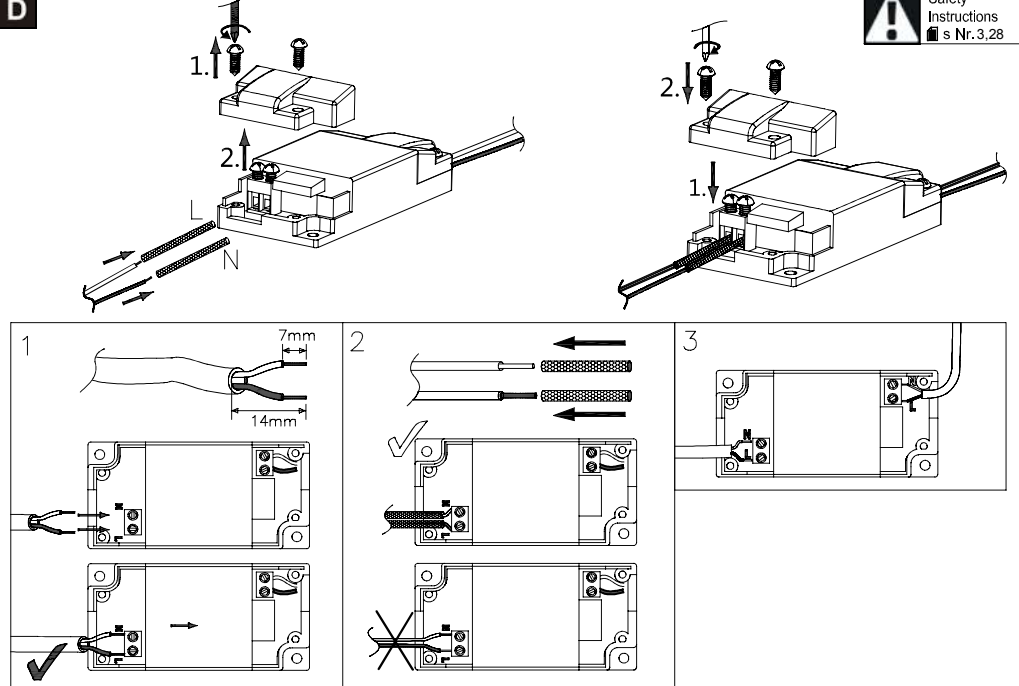
C



1.

2.

D



1.

2.

1.

2.


3.

7mm

14mm

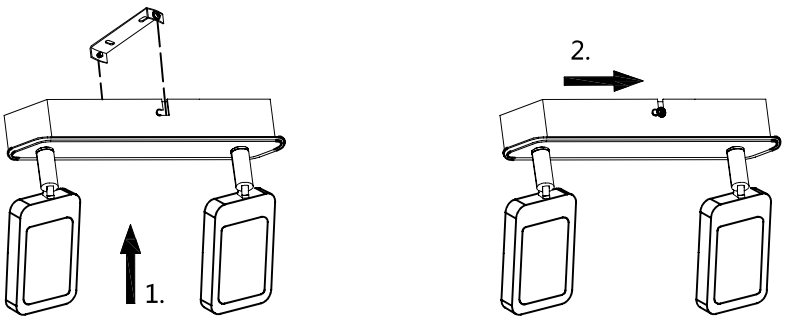
L

N



Safety Instructions
s Nr. 3,28

E



1.

2.

F

