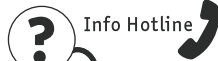




Safety Instructions



0,1,2,3,4,6,7,10,
11,15,18,22,26,29



+49 (0) 5041 998 389

Mon. - Do. 7⁰⁰ - 20⁰⁰

Fr. 7⁰⁰ - 17⁰⁰



Paulmann Licht GmbH
31832 Springe / Germany
www.paulmann.com

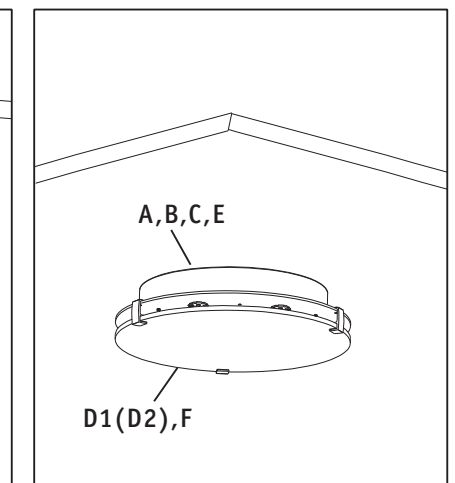
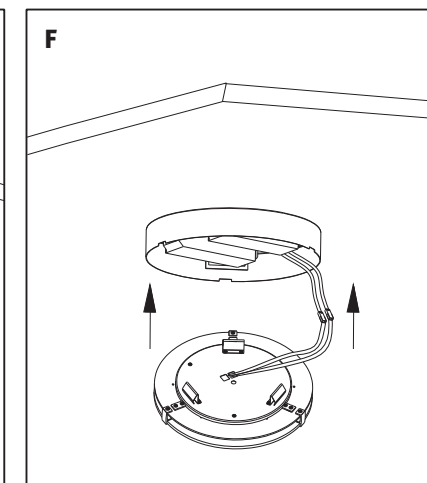
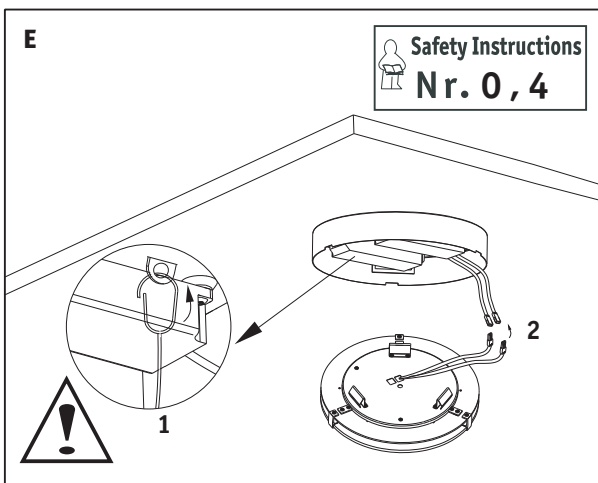
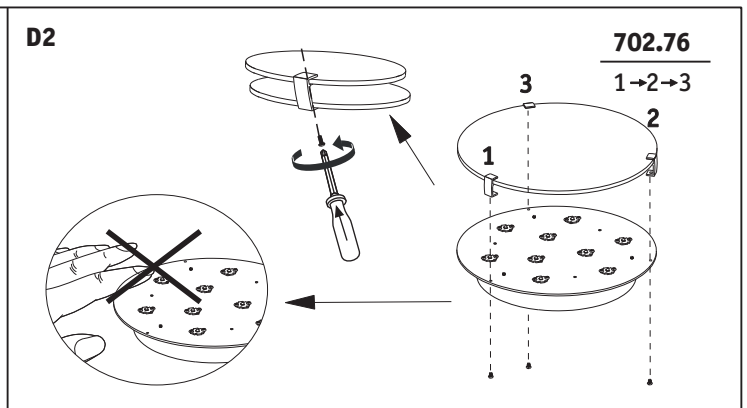
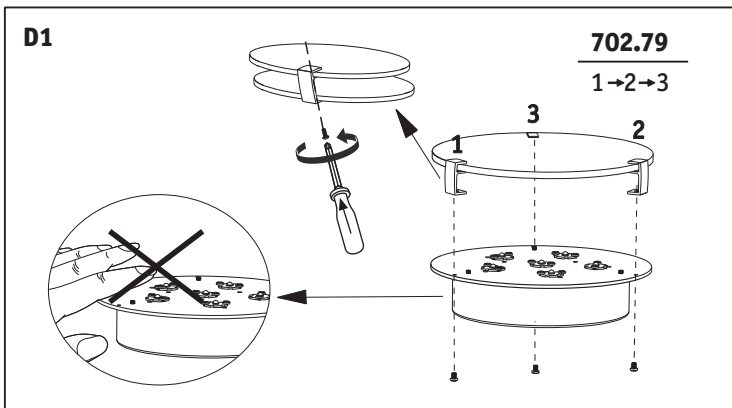
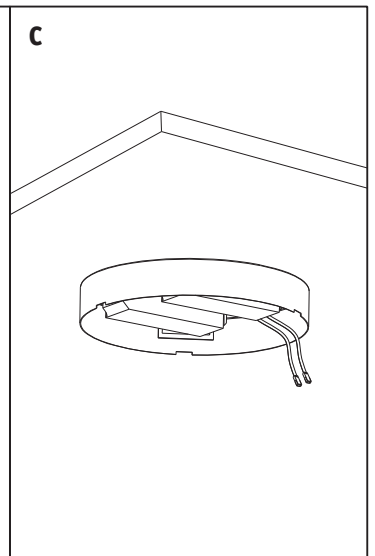
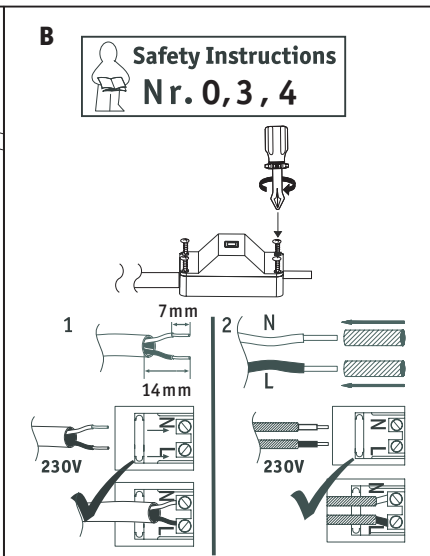
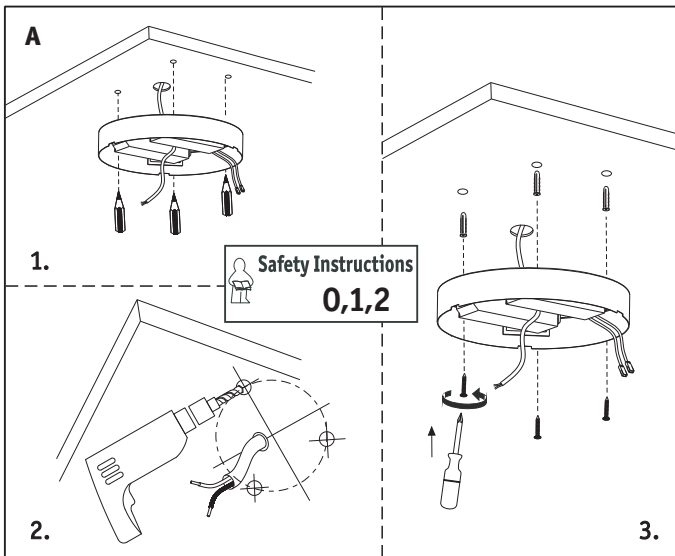
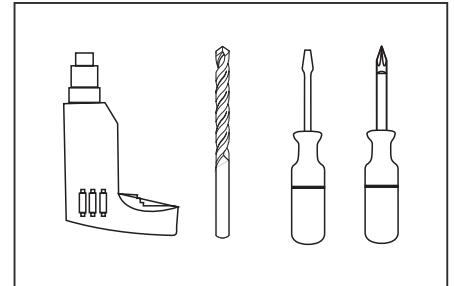
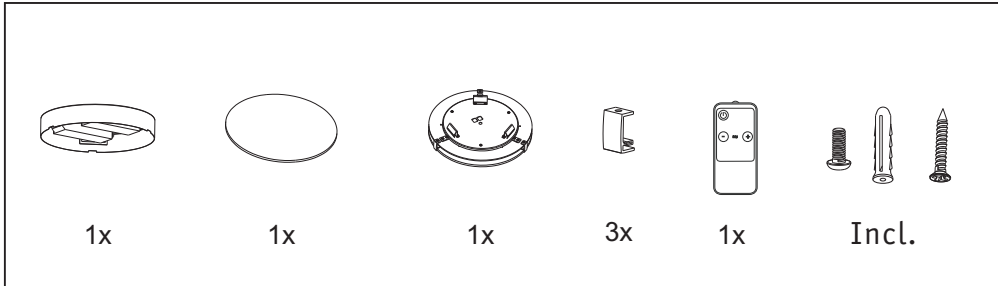
Art.-Nr.:

702.76

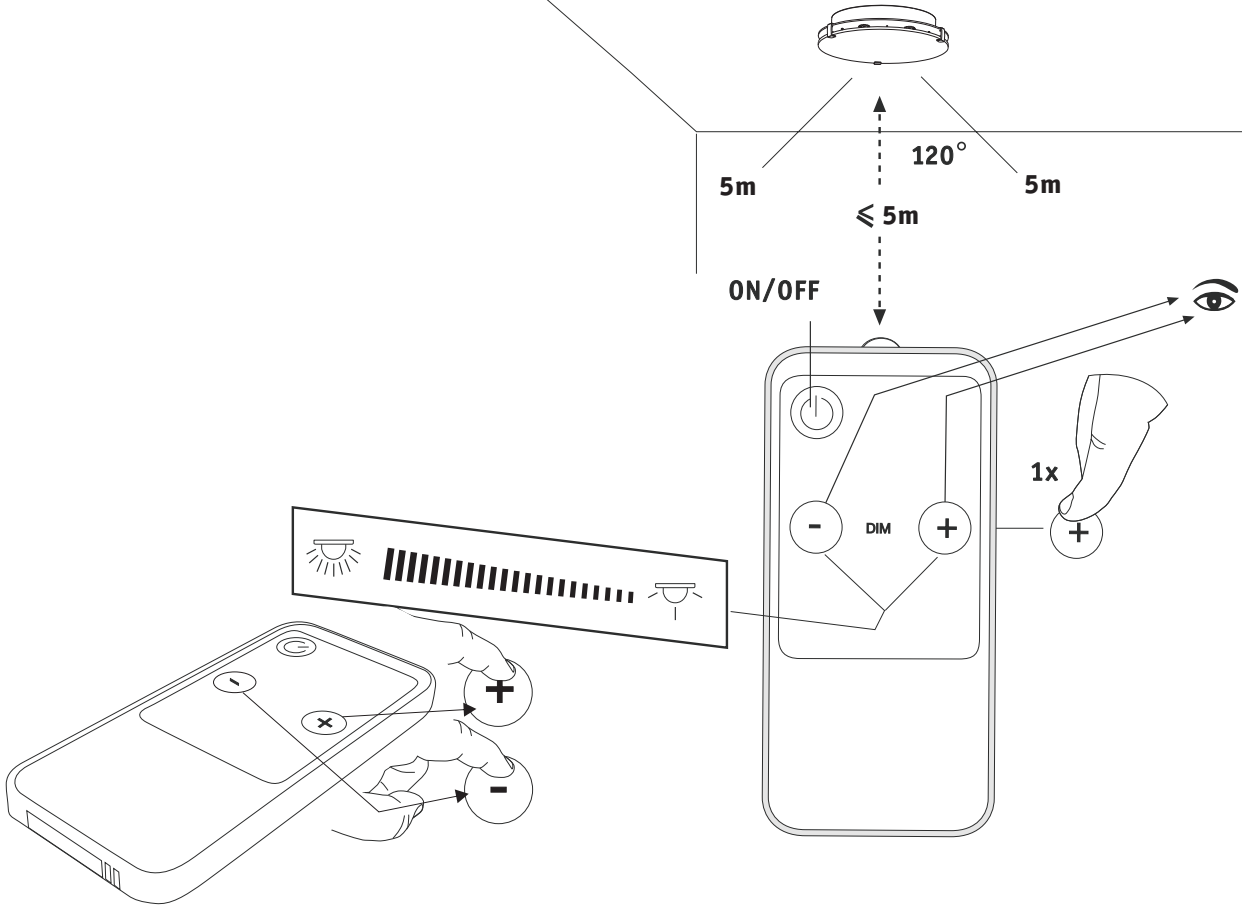
702.79

(+MA 173)

PSU 05/12



H



I

