







Safety Instructions  

0,1,2,4,6,11,15,18,19,25,26,27 

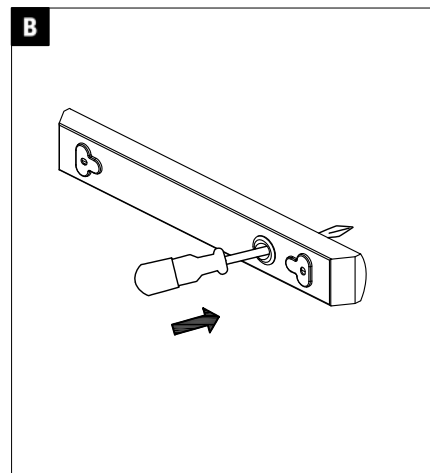
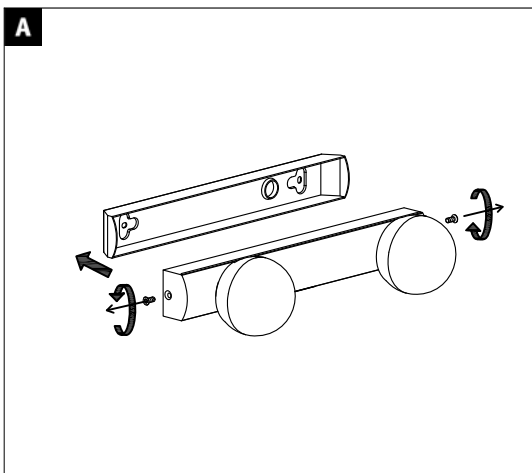
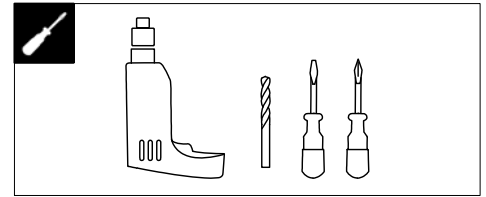
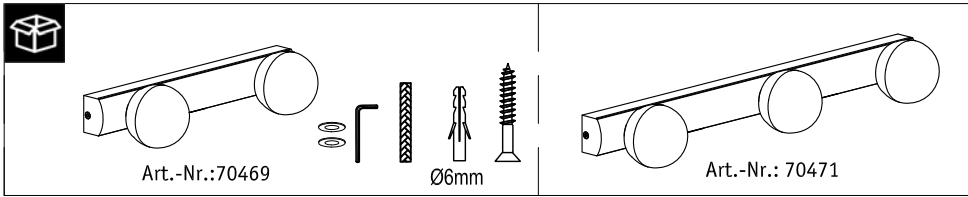
Info Hotline 



+49(0)5041 998 389
 Mon.-Do. 7⁰⁰ - 20⁰⁰
 Fr. 7⁰⁰ - 17⁰⁰

Paulmann Licht GmbH
 Quezinger Feld 2
 31832 Springe
 Germany
 www.paulmann.com




Art.-Nr.:70469 , 70471

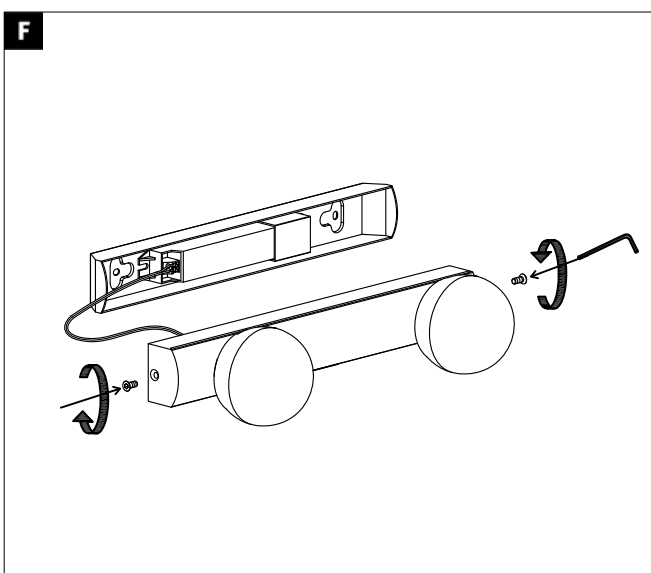
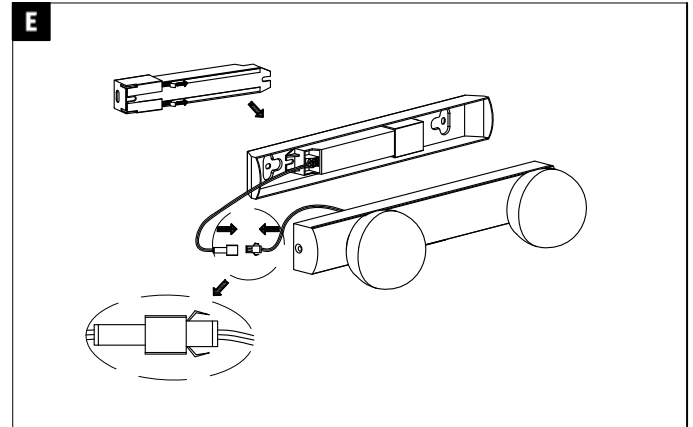
(+MA 173) PYW 01/15





C   **Safety Instructions**
Nr. 0,1,2


L=218mm (70469)
L=398mm (70471)


D   **Safety Instructions**
Nr. 0  **off**



G

 **on** 



 **IP44**

www.paulmann.com/
IP-protection/all