



Safety Instructions



0, 1, 2, 4, 6, 7, 8, 11, 15,
22, 28



Info Hotline **+49 (0) 5041 998 389**

Mon. - Do. 7⁰⁰ - 20⁰⁰

Fr. 7⁰⁰ - 17⁰⁰

Paulmann Licht GmbH
31832 Springe / Germany
www.paulmann.com

Art.-Nr.:

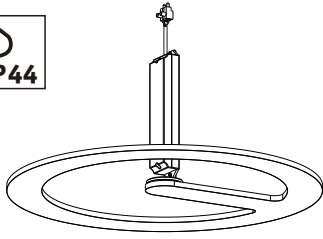
704.96

(+MA 173)

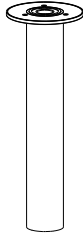
PKE 08/14



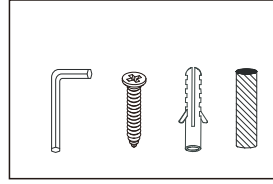
IP44



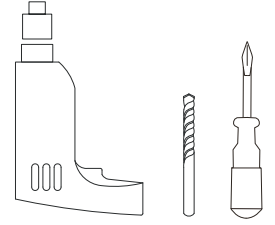
1X



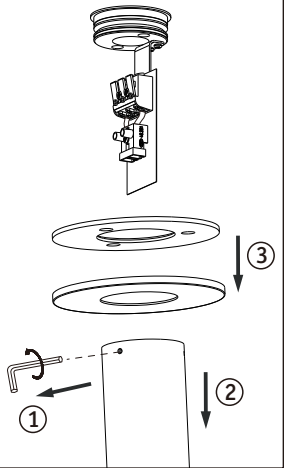
1X



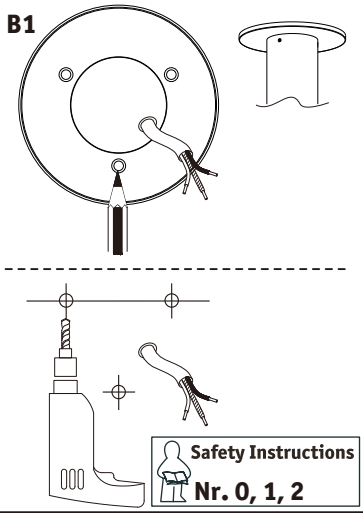
incl.



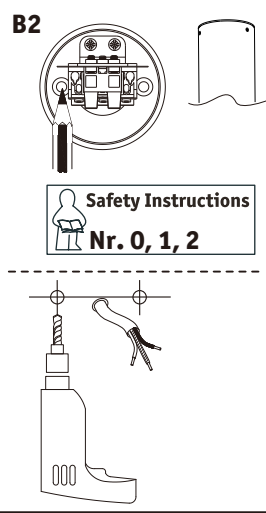
A



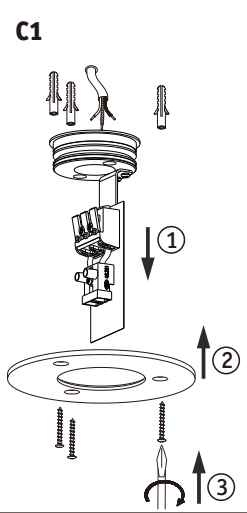
B1



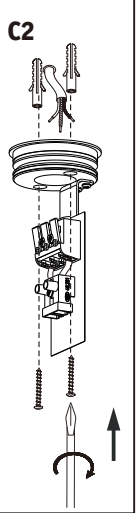
B2



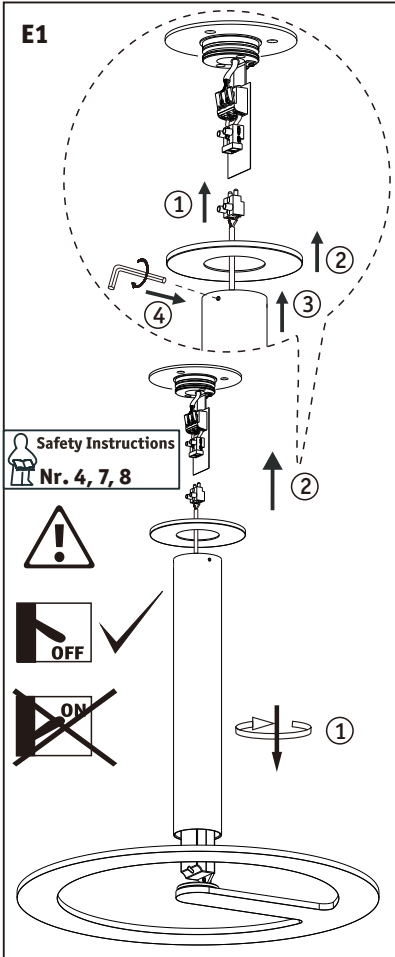
C1



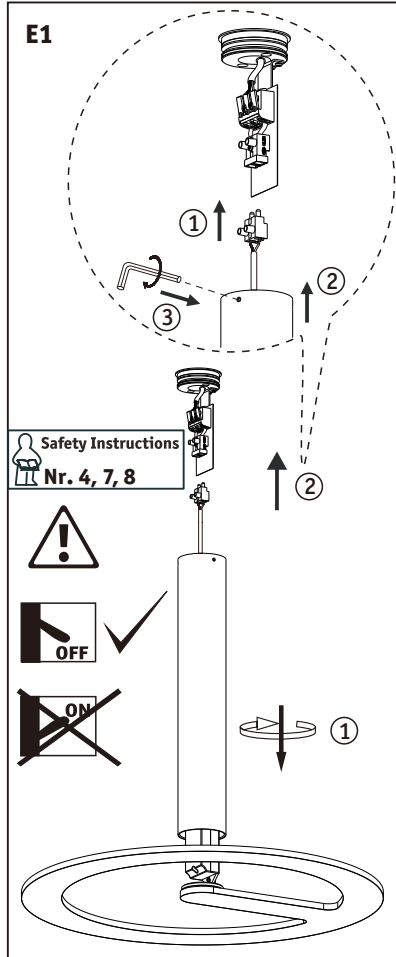
C2



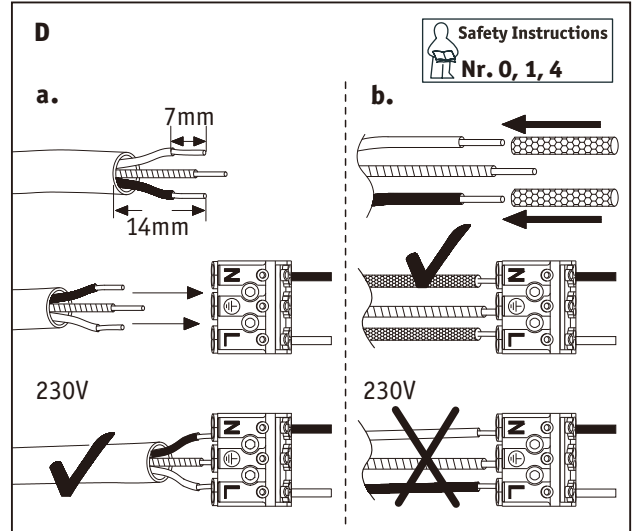
E1



E1



D



A, B1, C1, D, E1 A, B2, C2, D, E2