

## Safety Instructions

1, 2, 3, 4, 5, 6, 7, 8, 12, 15,  
16, 17, 18, 19, 20, 24, 28,  
33, 34



## Info Hotline



**+49 (0) 5041 998 389**

Mon.-Do. 7<sup>00</sup>-20<sup>00</sup>  
Fr. 7<sup>00</sup>-17<sup>00</sup>

Paulmann Licht GmbH  
Quezinger Feld 2  
31832 Springe  
Germany

[www.paulmann.com](http://www.paulmann.com)

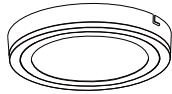
Art.-Nr: 707.32/33/34/35  
36/37



(+MA326 ) POW 06/16

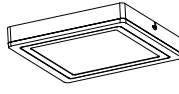


1x

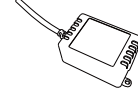


70732/33/34

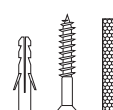
1x



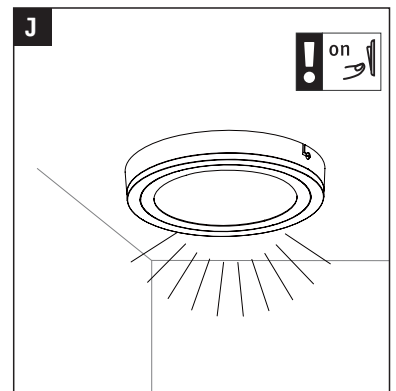
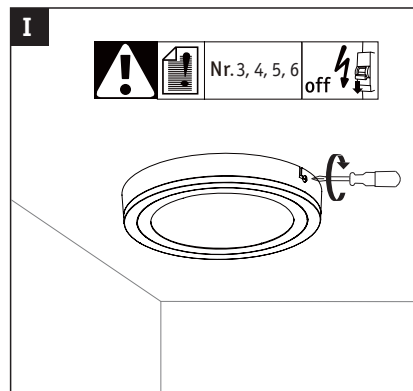
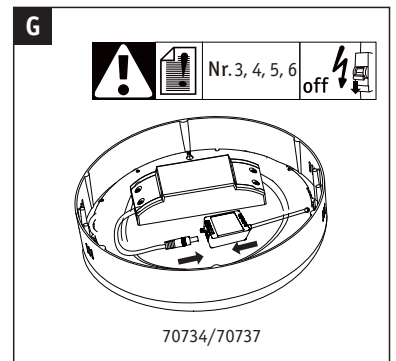
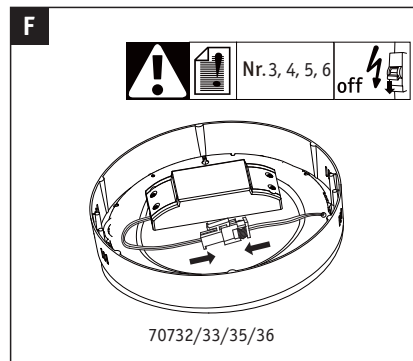
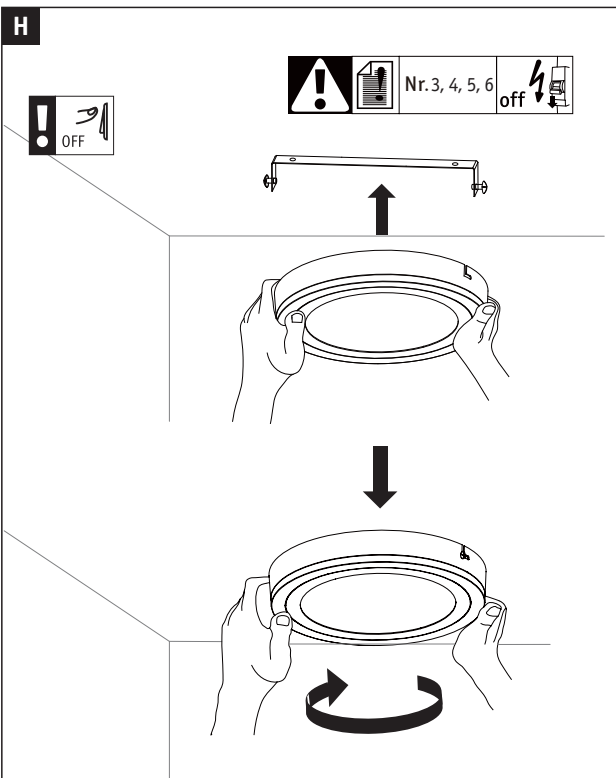
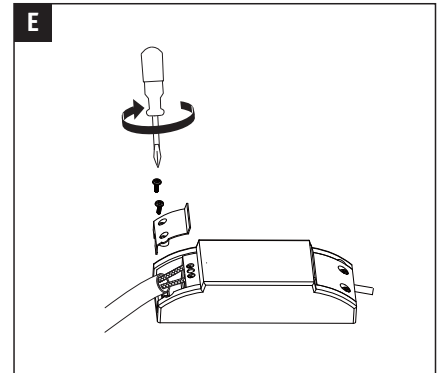
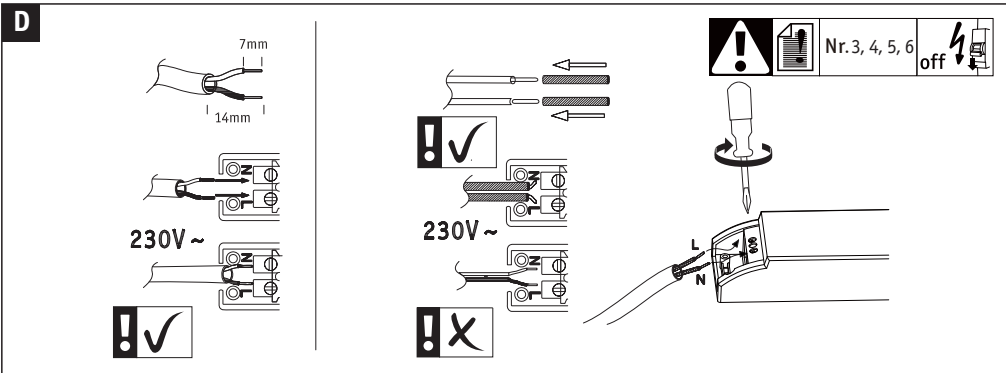
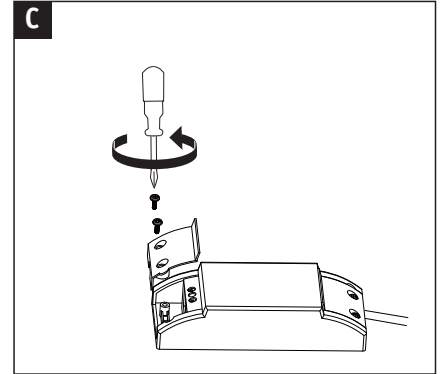
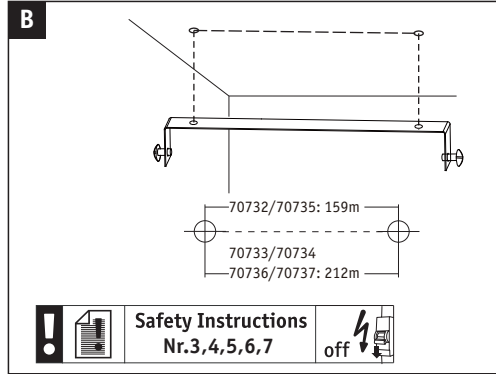
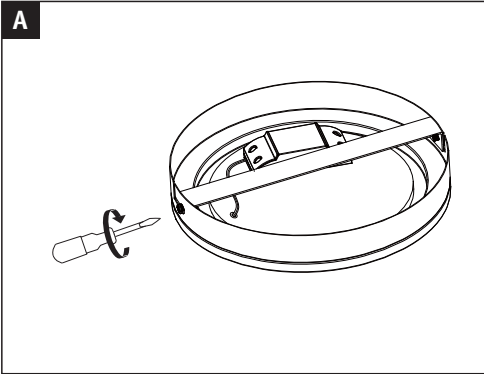
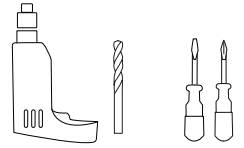
70735/36/37

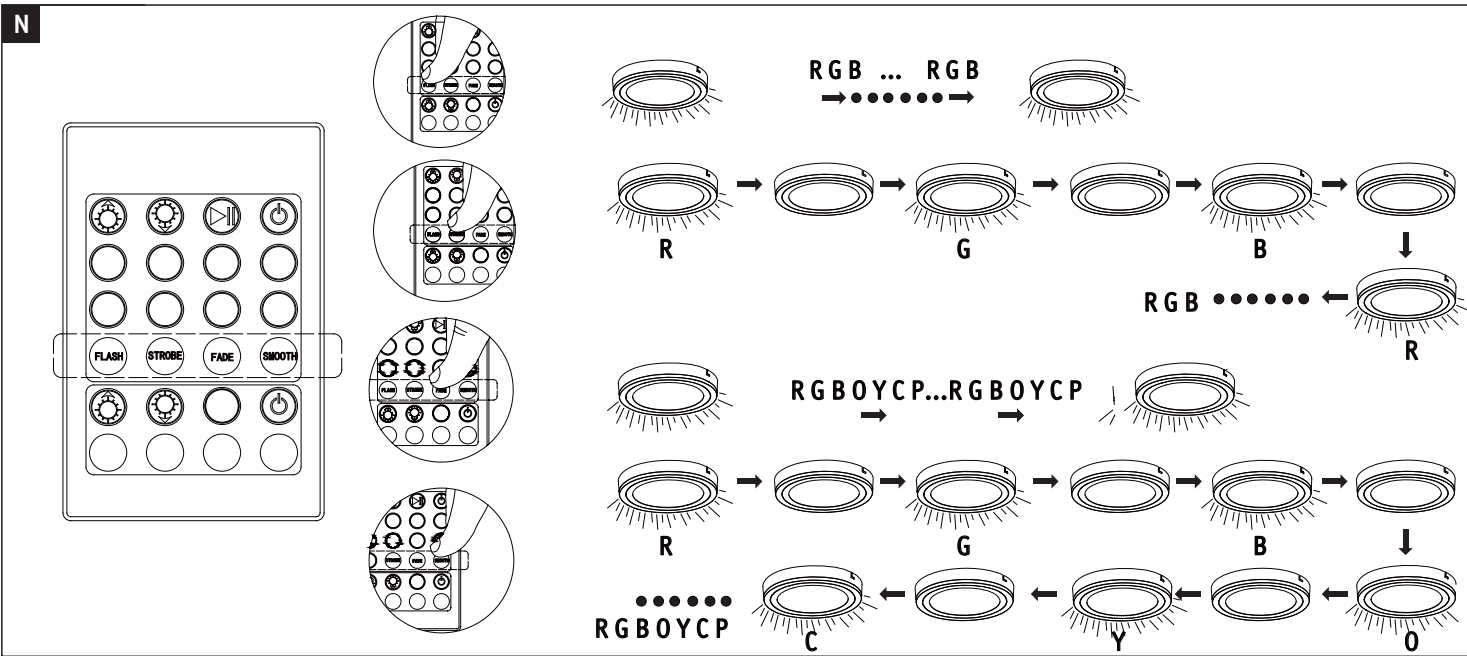
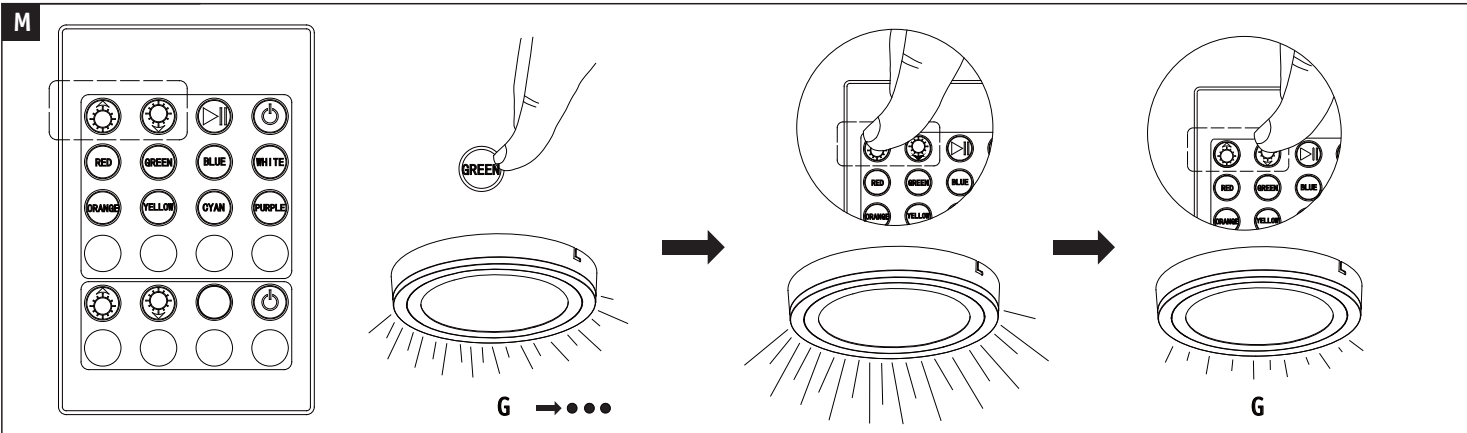
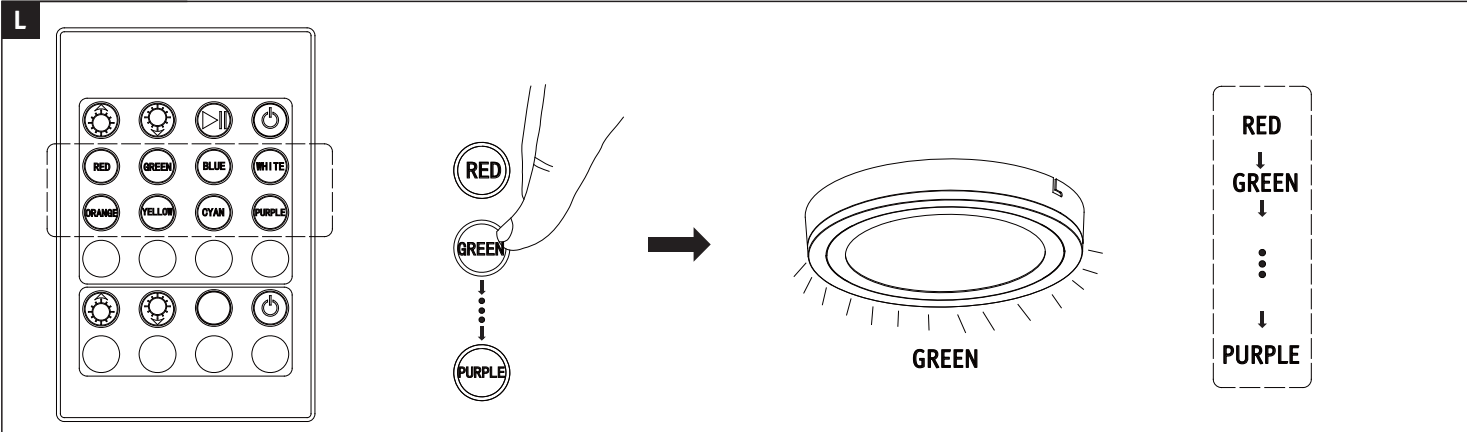
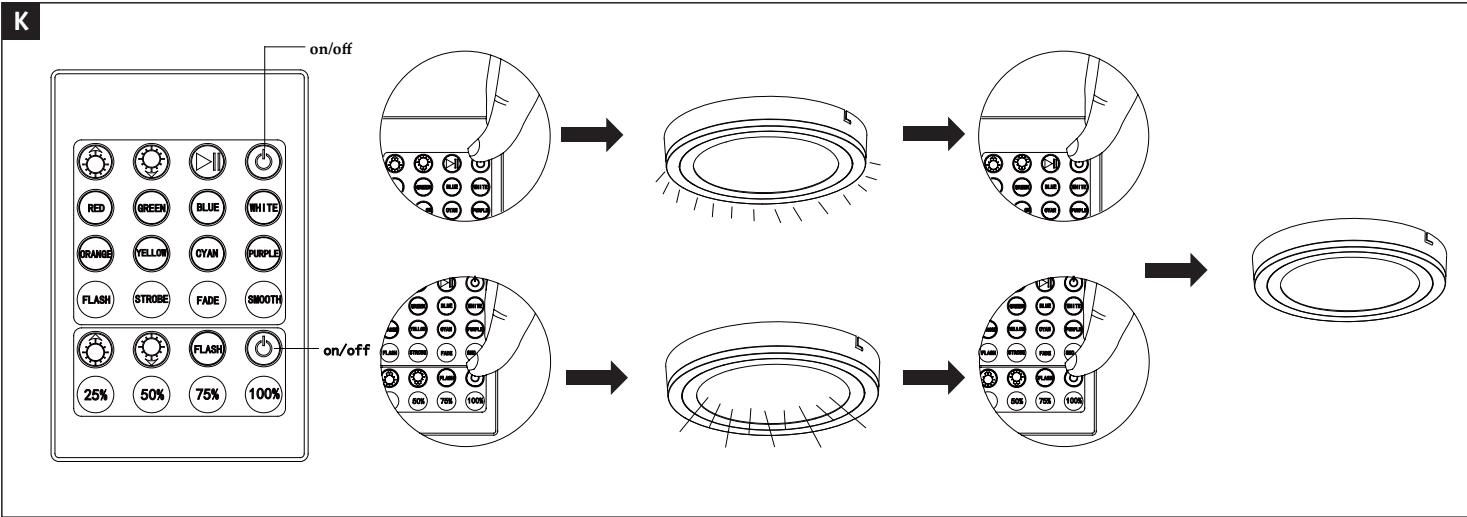


70734/70737: 1x

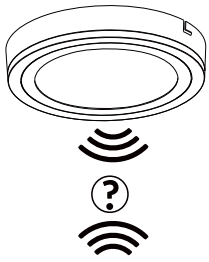


Incl.









TIME > 5S



TIME < 3S

