

## Safety Instructions



0, 1, 2, 4, 5a, 6, 7, 8, 9,  
11, 15, 20, 22, 27...

Info Hotline 

**+49 (0) 5041 998 389**

Mon.-Do. 7<sup>00</sup> - 20<sup>00</sup>

Fr. 7<sup>00</sup> - 17<sup>00</sup>

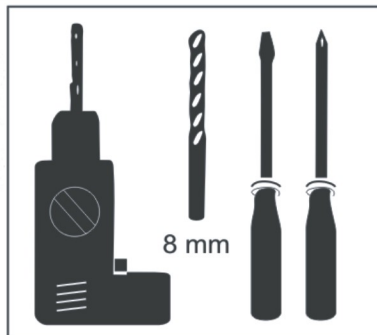
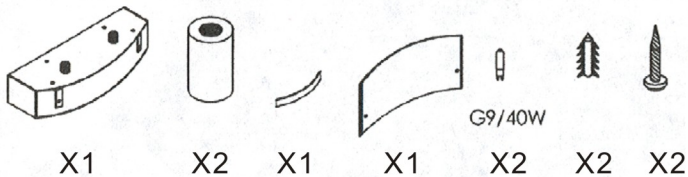


Paulmann Licht GmbH  
31832 Springe / Germany  
www.paulmann.com


Art.-Nr.:  
**79212**

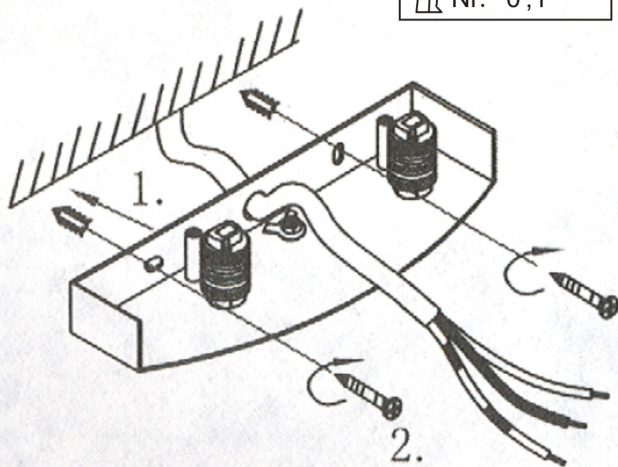
(+MA 173)

PWA 09/09

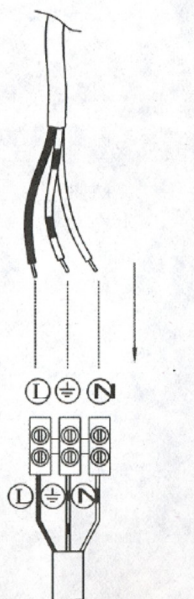


**A**

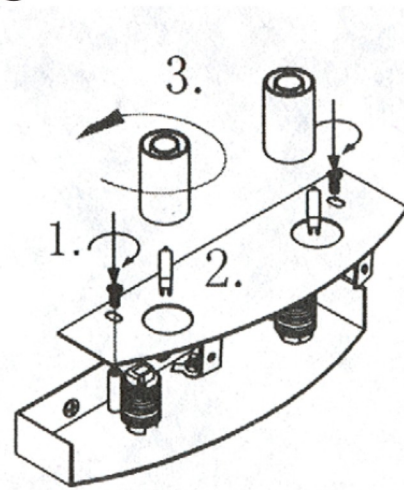
 Safety Instructions  
Nr. 0, 1



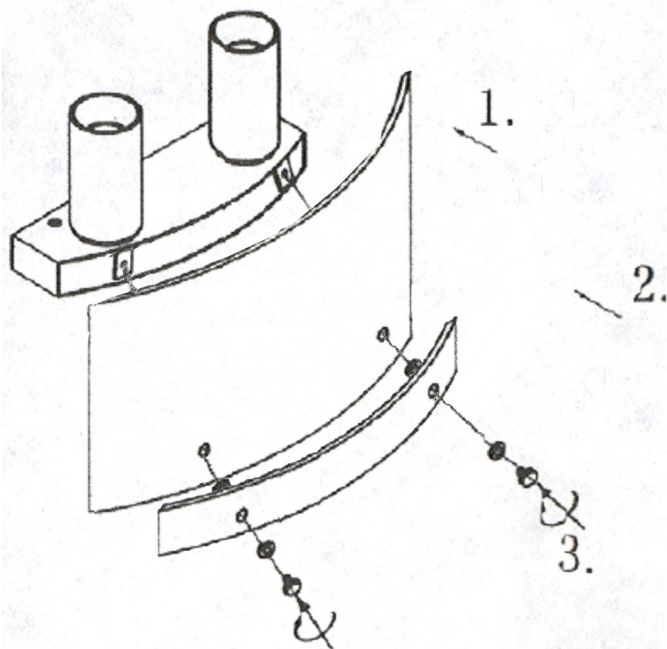
**B**



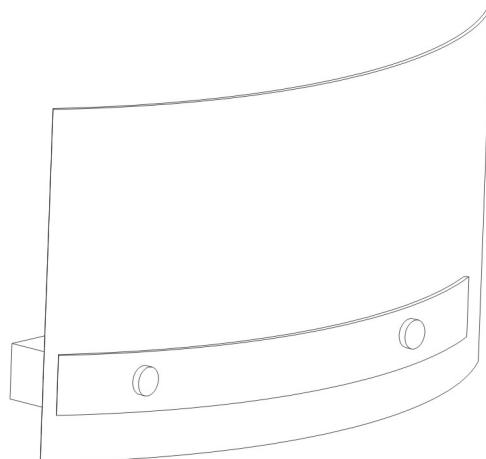
**C**



**D**



**E**



G9 40W Art. No. 831.94