

Art.- Nr.: 794.03
(+MA 230)

TIP



SAFETY INSTRUCTIONS

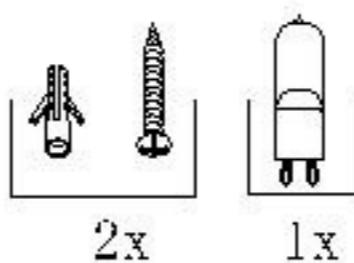


0,1, 2, 4,5,6,7,8,10,11,12,14,15,16,17,19,20,21.



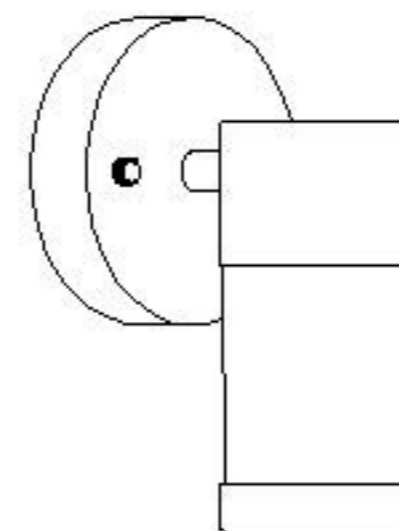
+49 (0) 5041 998 389

7^h - 20^h
Mon. - Fri.

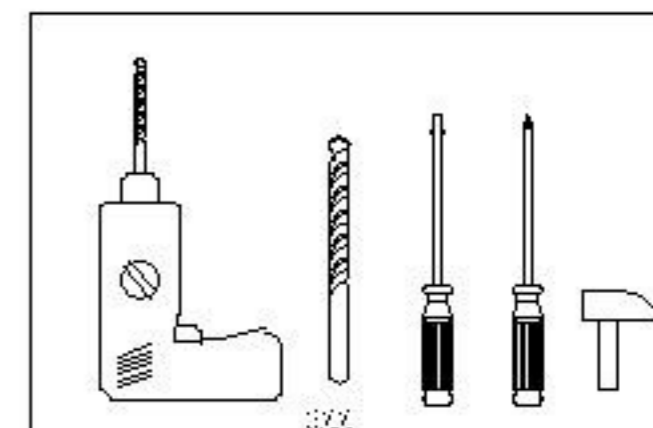


2x

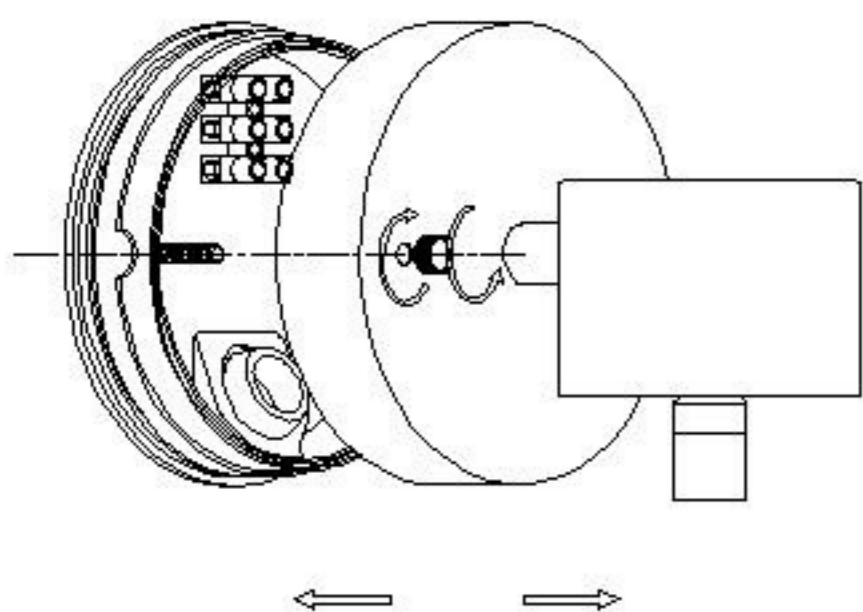
1x



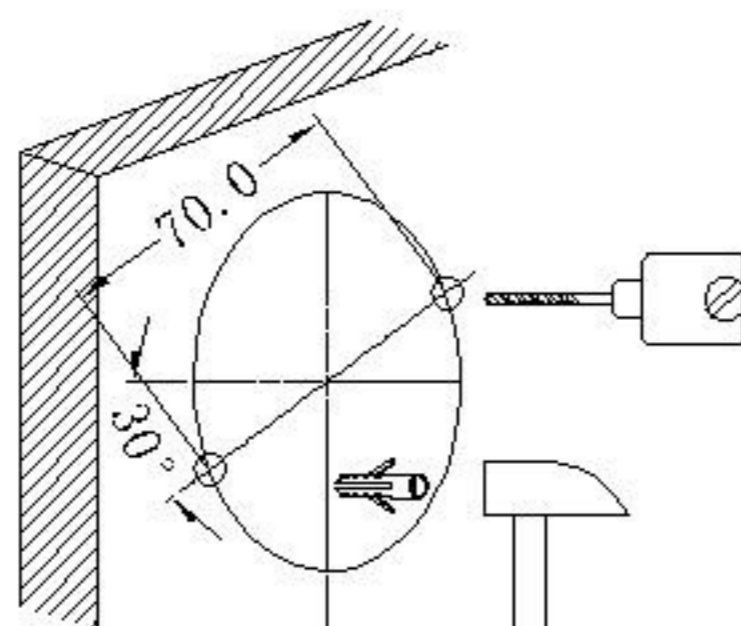
1x25W



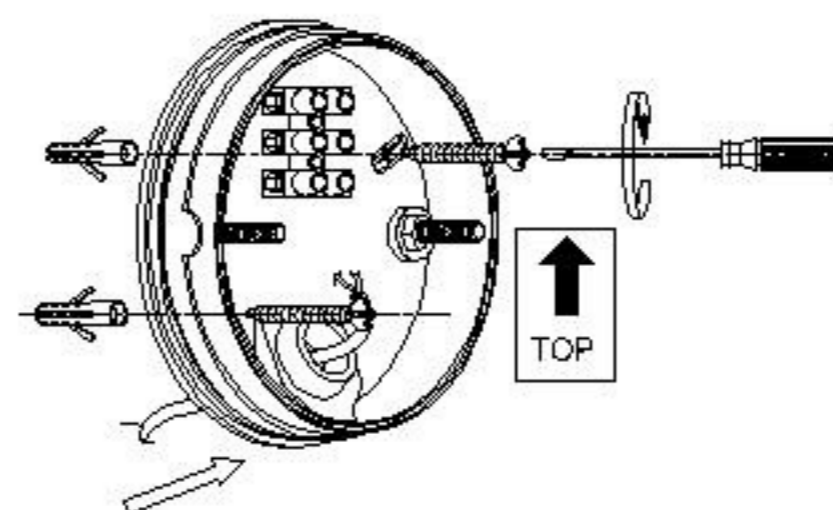
A



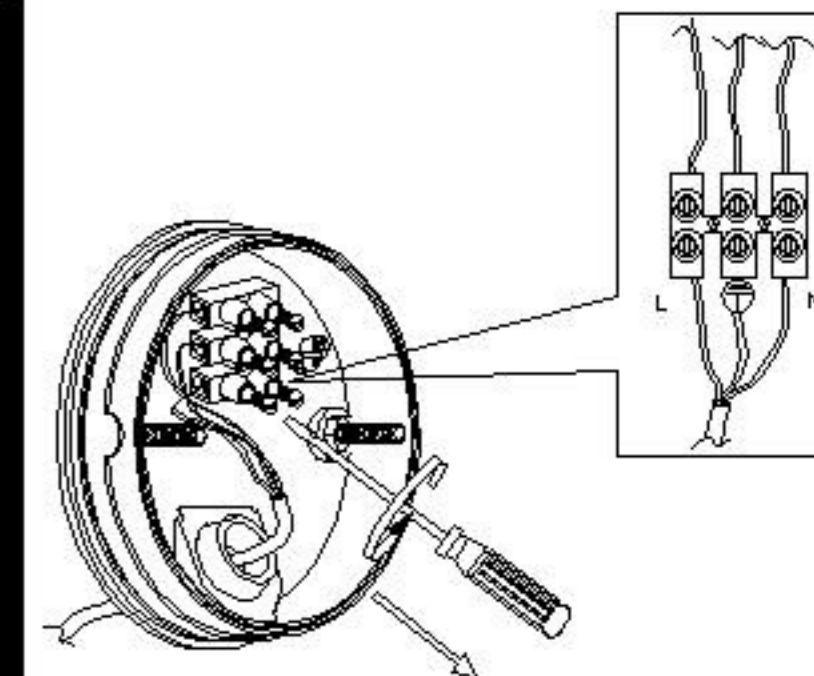
B



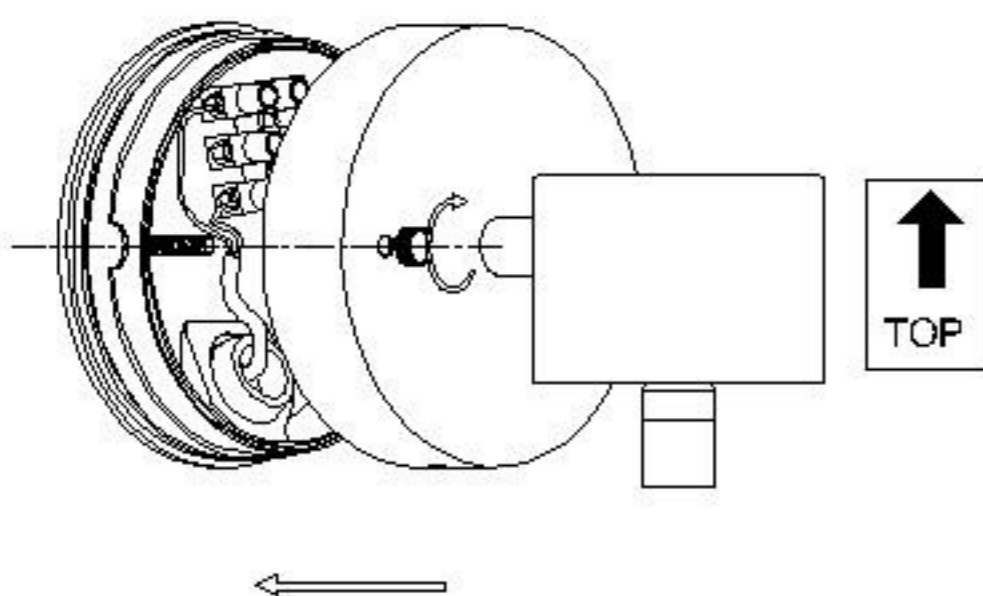
C



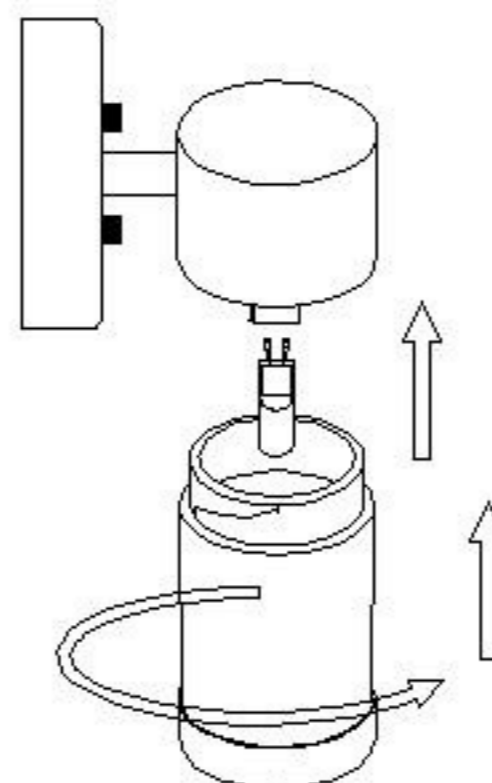
D



E



F



G

