

**P**  
Paulmann

**Safety Instructions**

1, 2, 3, 4, 5, 6, 7, 10, 12, 13, 15, 16, 19, 20, 21, 22, 24, 28, 33, 34

31.08.2021  
ENERGY LABEL  
874/2012  
A++ - A

01.09.2021  
ENERGY LABEL  
2019/2015  
G

www.paulmann.com/symbols

Paulmann Licht GmbH  
Quezinger Feld 2  
31832 Springe  
Germany  
www.paulmann.com

Art.-Nr.: 934.46/47  
934.48/49  
934.52/53  
934.54/50  
934.51/55  
934.56  
944.71  
(+MA326) PSU 07/22

**IP23**

934.46/934.48  
1x 1x Incl.

934.47/934.49/934.52/944.71  
3x 3x Incl.

934.53  
1x 1x Incl.

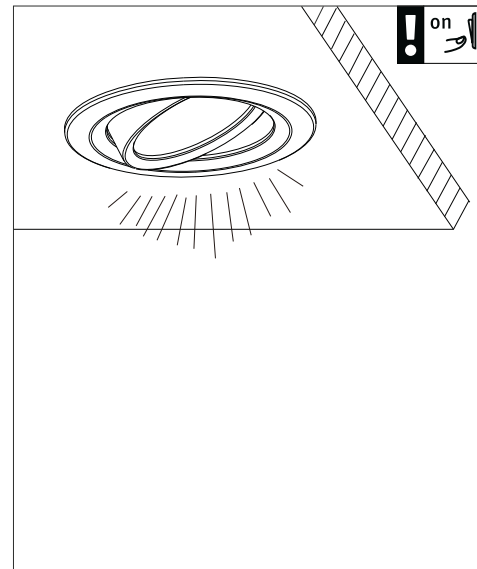
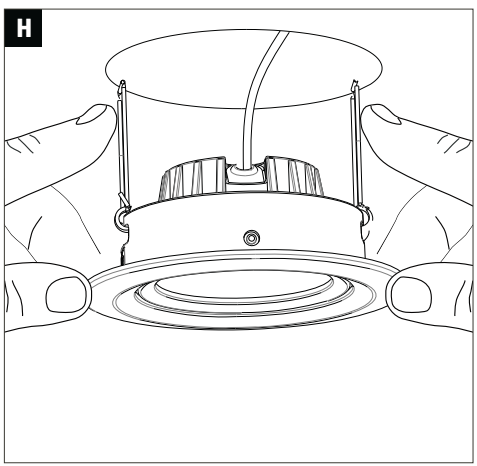
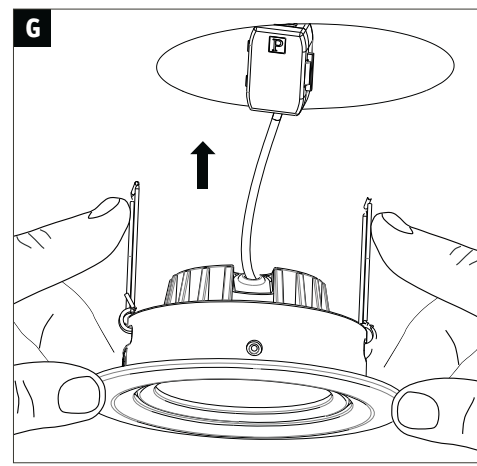
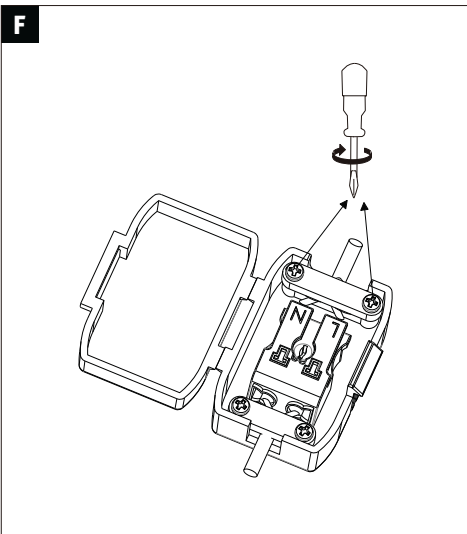
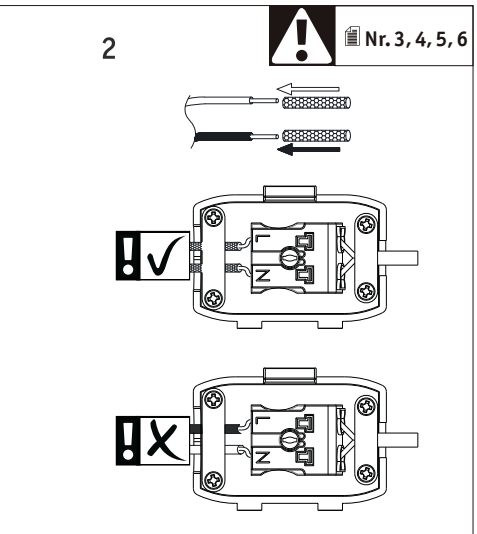
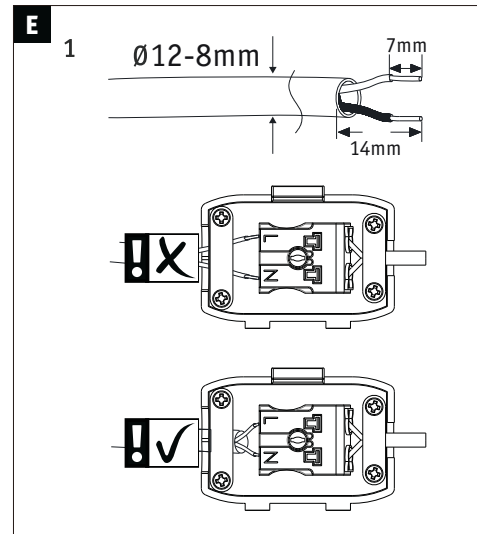
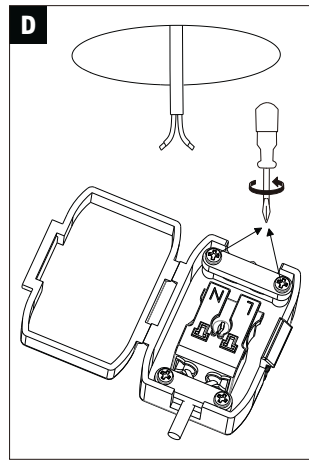
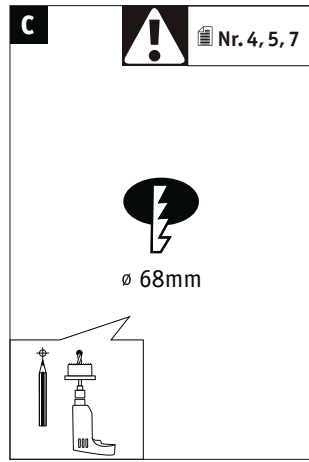
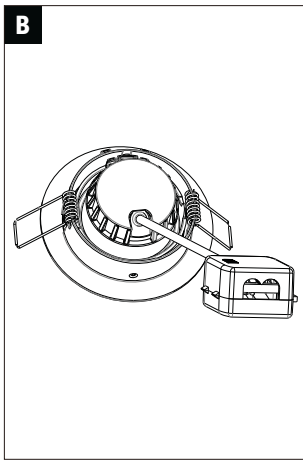
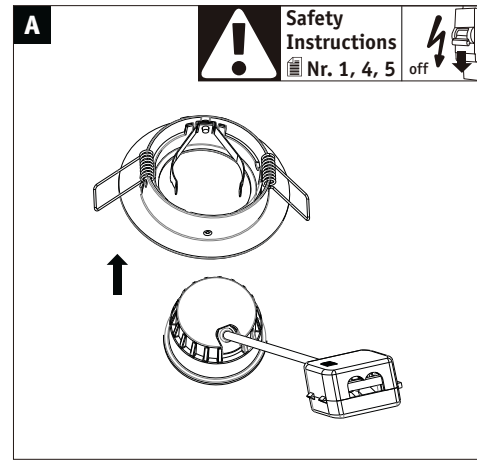
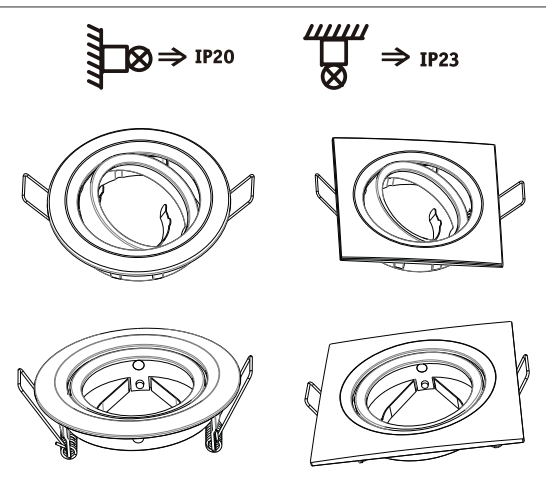
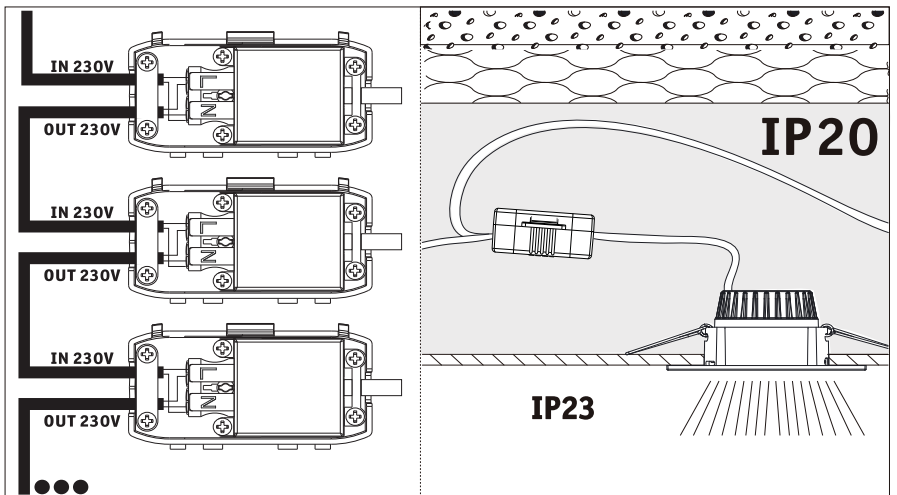
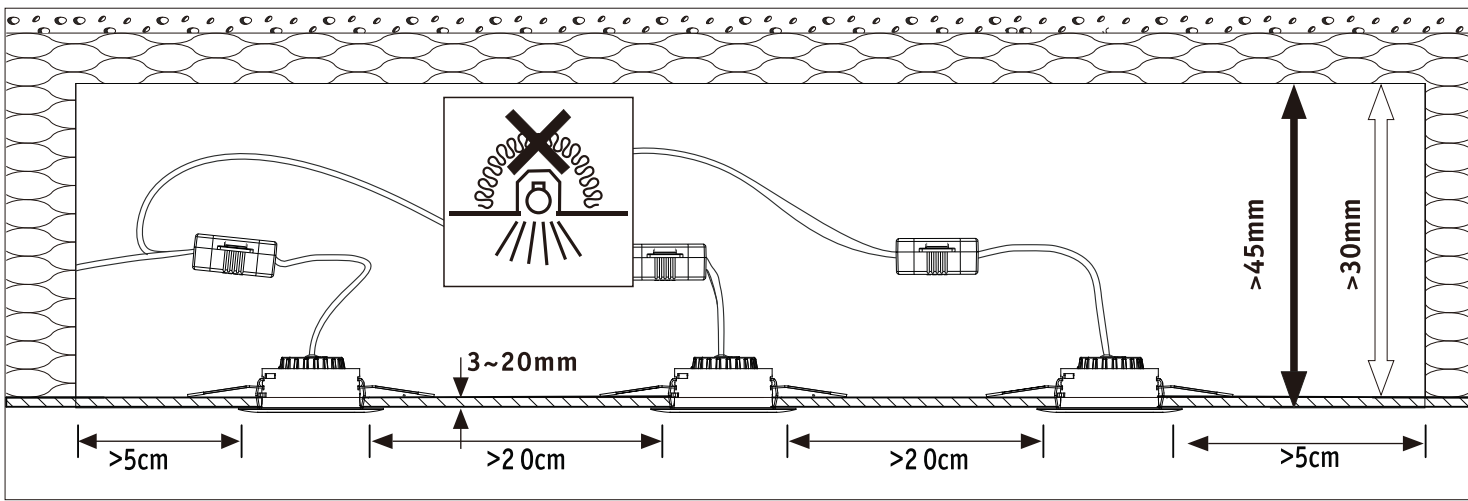
934.54  
3x 3x Incl.

934.50  
1x 1x Incl.

934.51  
3x 3x Incl.

934.55  
1x 1x Incl.

934.56  
3x 3x Incl.



**ENERGY LABEL**  
Paulmann

**470 lm**  
6W  
230V

warm white  
2700K

CRI/Ra ≥ 85

ON OFF >50.000

≈ 30x 1.000h

Lumen 60% 2 s

6 kWh/1000h

2019/2015

CE UK CA

390093069

