



# Safety Instructions



0,1,2,4,5b,6,7,8,9,11,12,  
15,16,17,19,20,21,22,23,  
25,26,27



Info Hotline

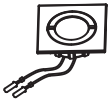
+49 (0) 5041 998 389

Mon. - Do. 7<sup>00</sup> - 20<sup>00</sup>

Fr. 7<sup>00</sup> - 17<sup>00</sup>

Paulmann Licht GmbH  
31832 Springe / Germany  
www.paulmann.com

Art.-Nr.: 93529/  
93530/93531/  
93532/93533/  
93534/93535/  
93536/93537/  
93538/93539/  
93540  
(+MA 173)  
PDG 05/12



1x



1x

93529/93531/93533/93535



3x



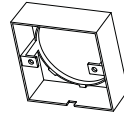
3x



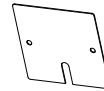
1x

incl.

93530/93532/93534/93536



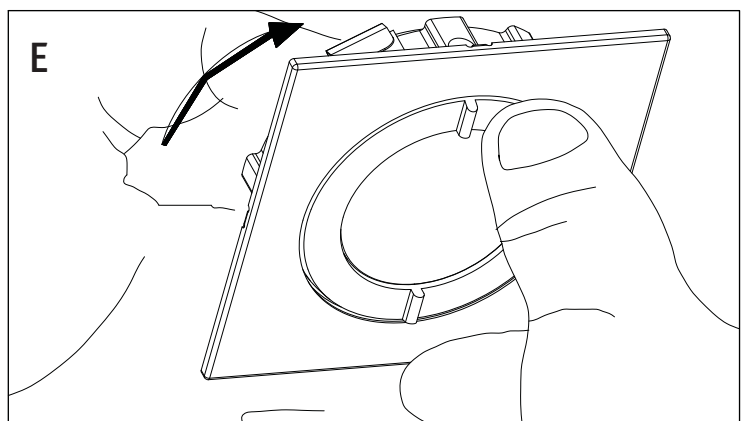
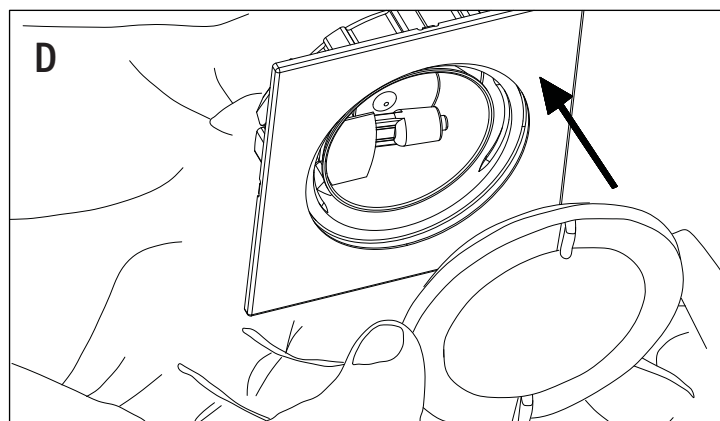
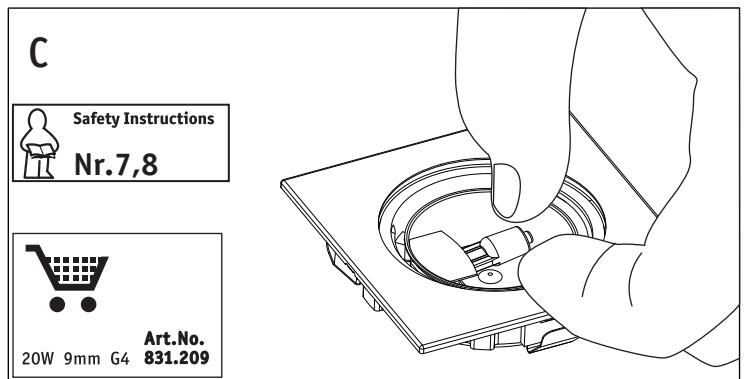
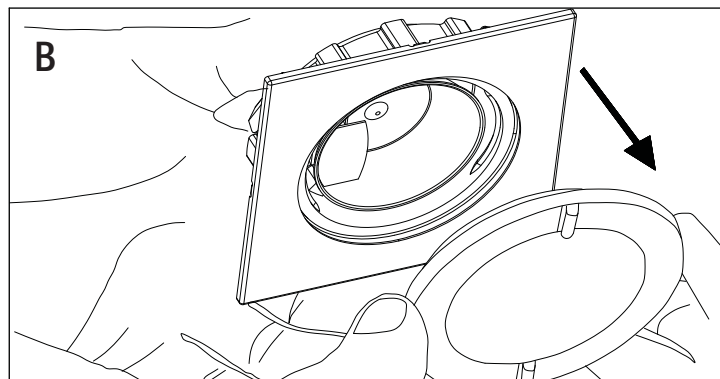
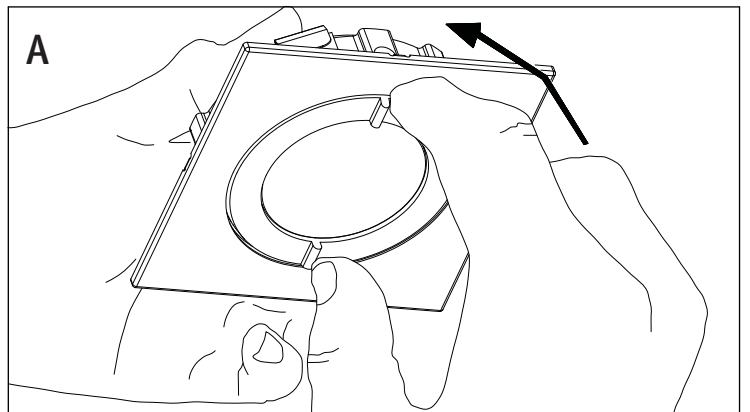
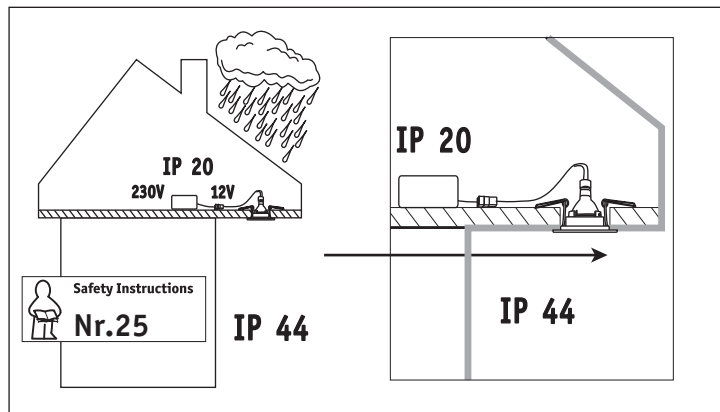
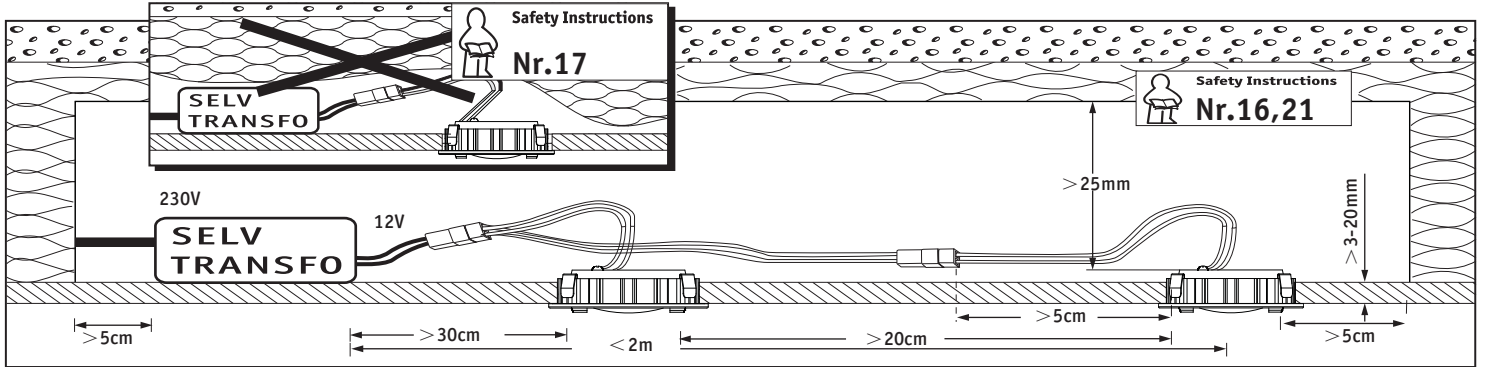
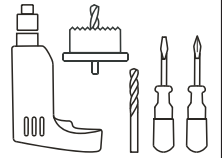
1x



1x

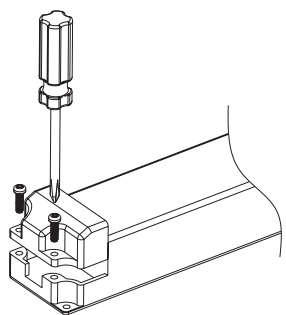
incl.

93537/93538/93539/93540

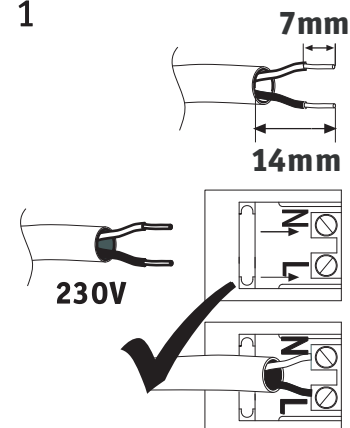


**F**

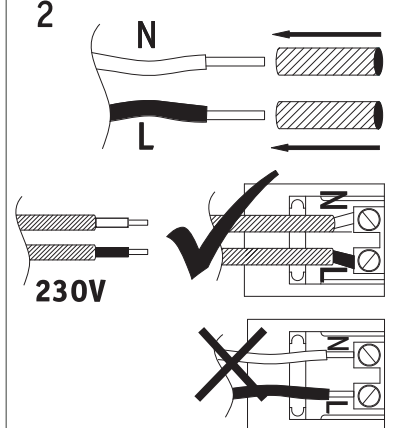
Safety Instructions  
Nr.0,4



**1**



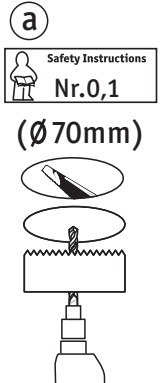
**2**



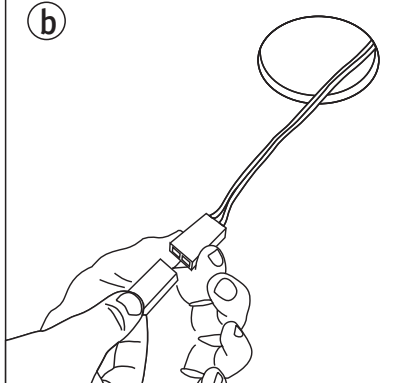
**G1**

Safety Instructions  
Nr.0,1  
(Ø70mm)

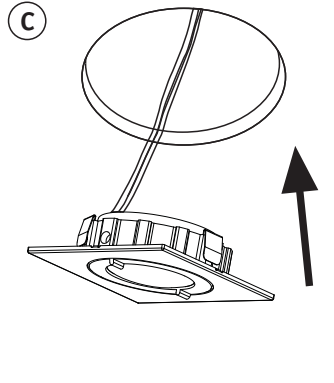
**(a)**

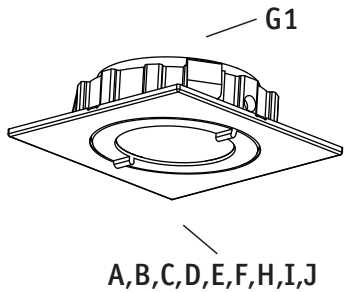


**(b)**



**(c)**

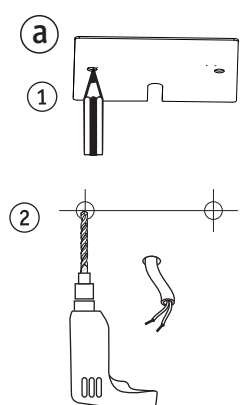




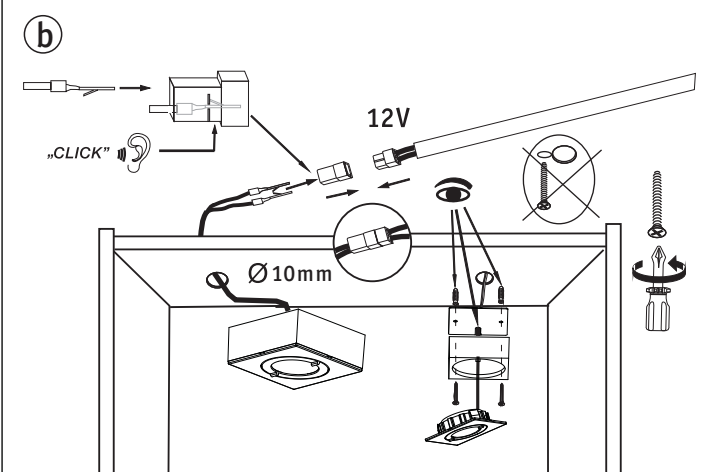
**G2**

Safety Instructions  
Nr.0,2

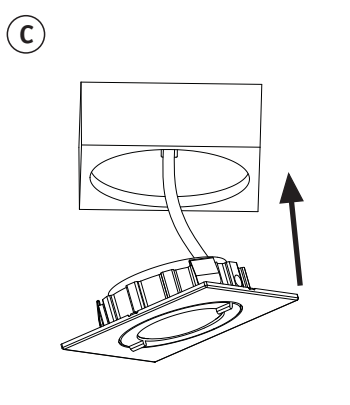
**(a)**

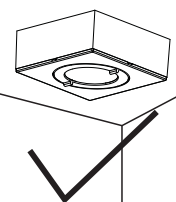


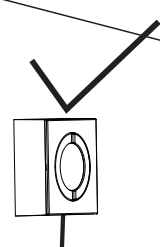
**(b)**

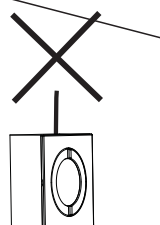


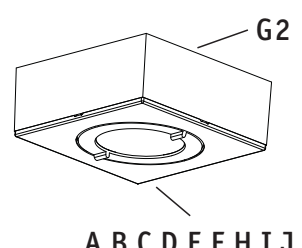
**(c)**



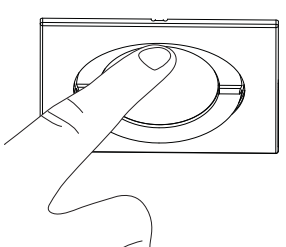




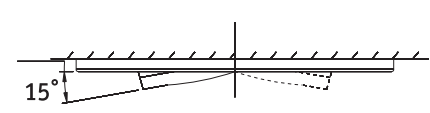




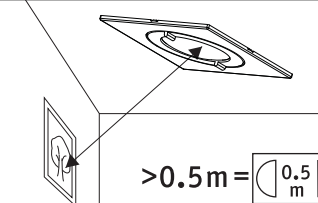
**H**

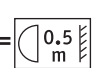


**I**



**J**



>0.5m = 

Safety Instructions  
Nr.9