

Safety Instructions

1, 2, 3, 4, 5, 6, 7, 8, 9, 12, 13
15, 16, 17, 18, 19, 20, 21, 22
24, 25, 26, 27, 28, 33, 34



Info Hotline

+49 (0) 5041 998 389



Mon.- Do. 7^{00-20⁰⁰}
Fr. 7^{00-17⁰⁰}

Paulmann Licht GmbH
Quezinger Feld 2
31832 Springe
Germany

www.paulmann.com

Art.-Nr.:
935.55
935.56
935.57

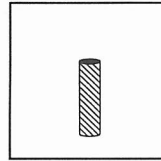
(+MA 0326)PKE 08/16



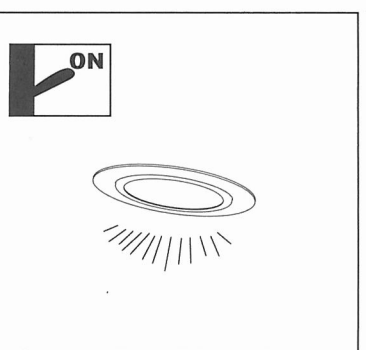
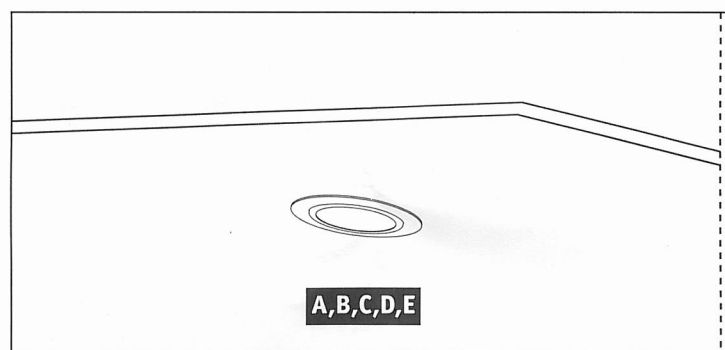
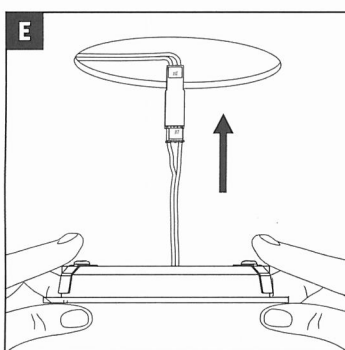
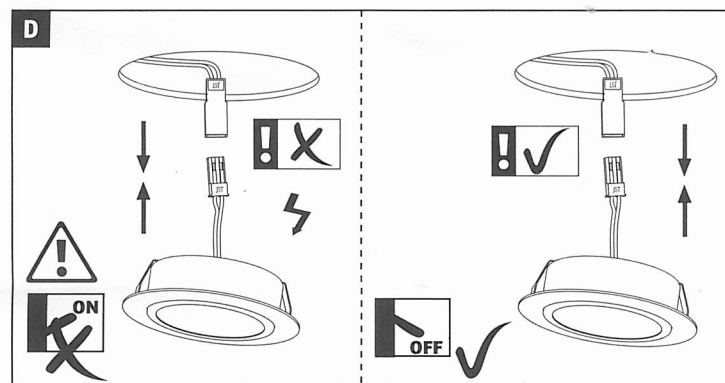
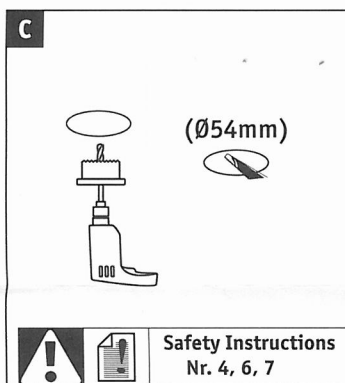
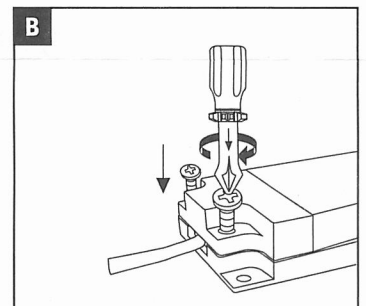
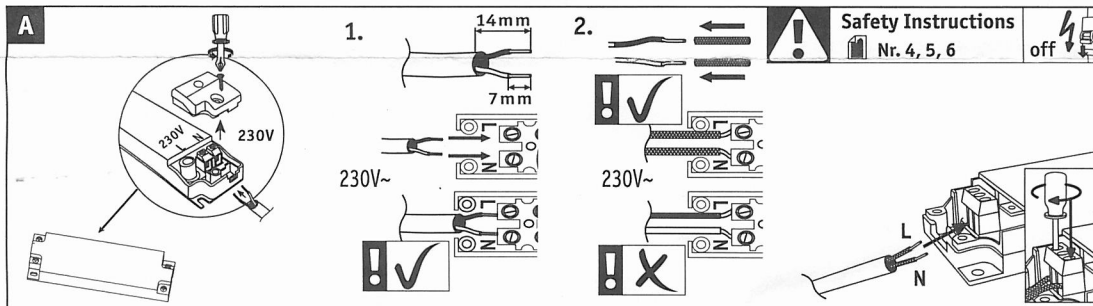
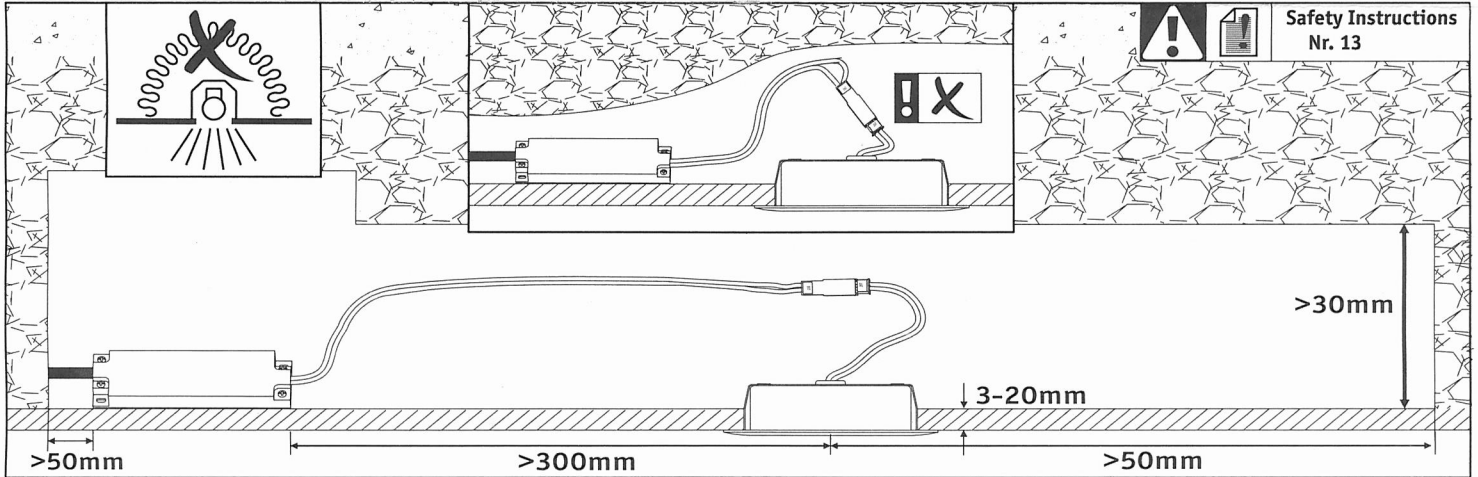
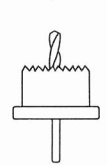
1x



1x



incl.



A,B,C,D,E