



Paulmann

Safety Instructions

1,2,3,4,5,6,7,10,12,13,19,24,
29,31,32,33,34,



31.08.2021

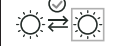


A++ - A

01.09.2021



G



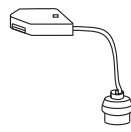
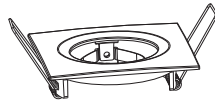
www.paulmann.com/symbols

Paulmann Licht GmbH
Quezinger Feld 2
31832 Springe
Germany

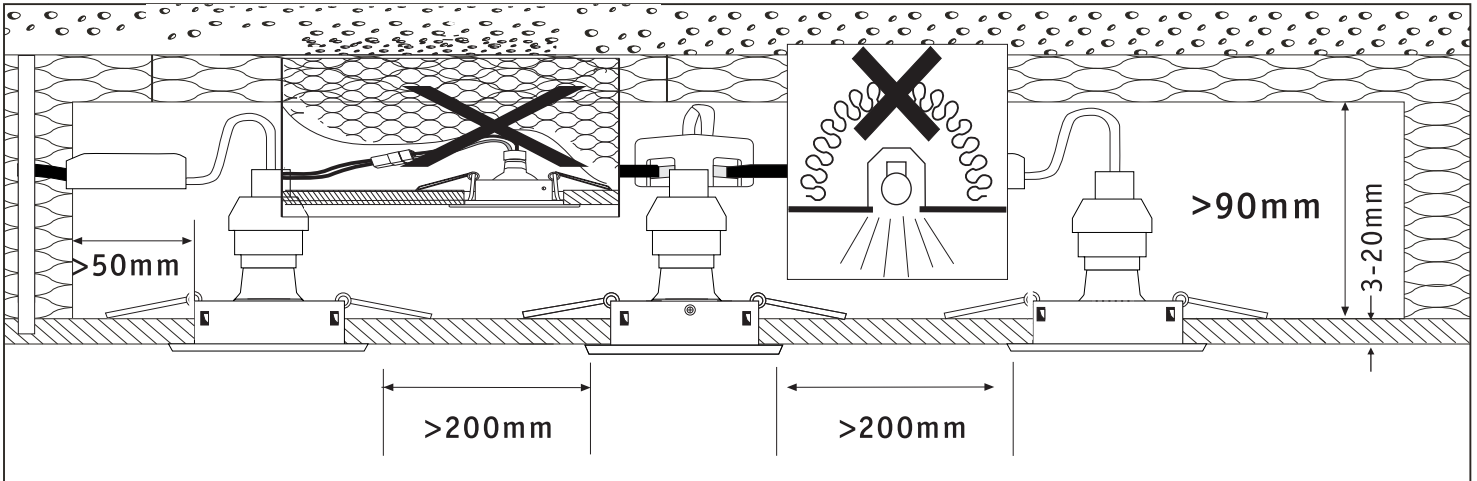
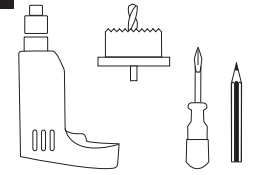


www.paulmann.com

Art.-Nr.:936.09/936.10/
936.11/936.13/
936.14/936.15/
(+MA326)PBO 07/22



incl.



A Safety Instructions Nr. 5, 7 off

68mm (Ø68mm)

www.paulmann.com

B Nr. 4, 5

1 7mm

230V 14mm

2 230V

3 IN 230V

OUT 230V

IN 230V

OUT 230V

IN 230V

OUT 230V

C

D

E

F

OK

G Nr. 10

230V IP20

IP20

IP44

