



Paulmann

### Safety Instructions

1,2,3,4,5,6,7,8,12,13,19,24,  
29,31,32,33,34,



31.08.2021



A++ - A

01.09.2021



G

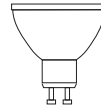
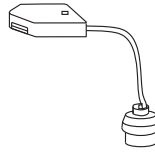
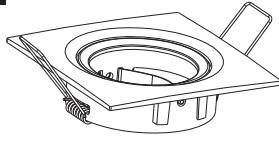


www.paulmann.com/symbols

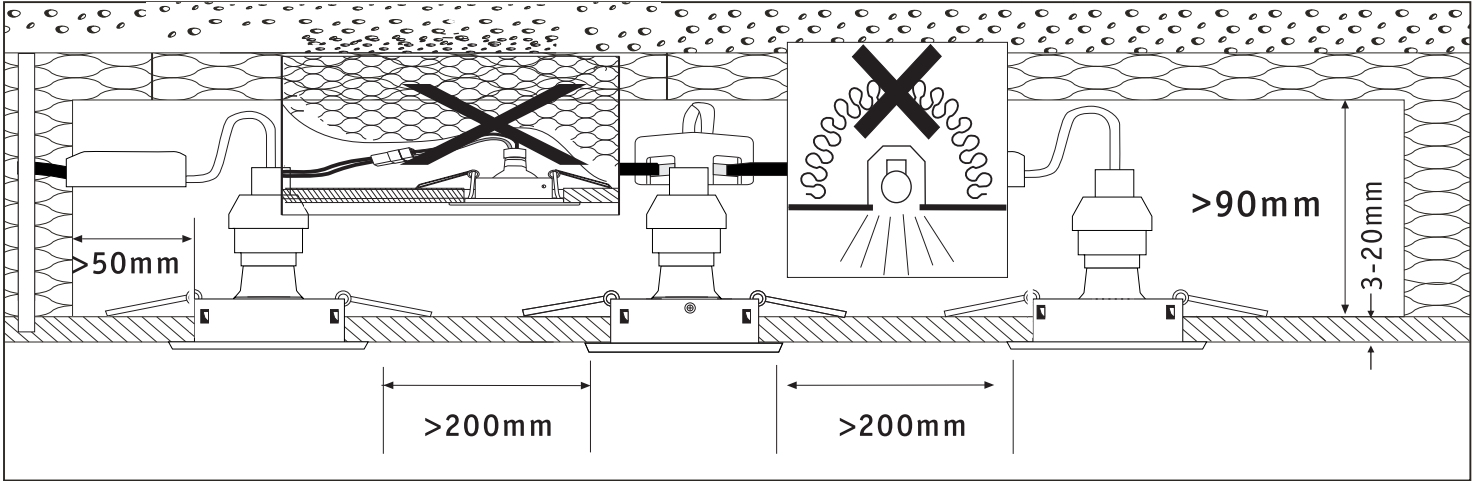
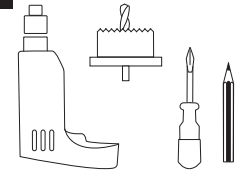
Paulmann Licht GmbH  
Quezinger Feld 2  
31832 Springe  
Germany

www.paulmann.com

Art.-Nr.:936.17/936.18/  
936.19/936.21/  
936.22/936.23/  
(+MA326)PB0 07/22



incl.



**A** Safety Instructions Nr. 5, 7 off

(ø 68mm) 68mm [www.paulmann.com](http://www.paulmann.com)

**B** Nr. 4, 5

**1**

**2**

**3**

**C**

**D**

**E**

**F**

