

Safety Instructions

1, 2, 3, 4, 5, 6, 7, 8, 9, 12, 13, 15, 16,
17, 18, 19, 20, 21, 22, 24, 28, 33, 34



Info

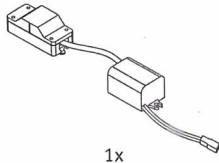
www.paulmann.com

Paulmann Licht GmbH
Quezinger Feld 2
31832 Springe
Germany

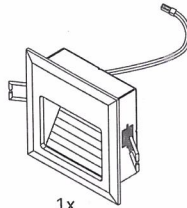
www.paulmann.com

Art.-Nr.: 937.53

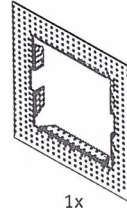
(+MA326) PSU 08/17



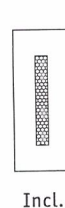
1x



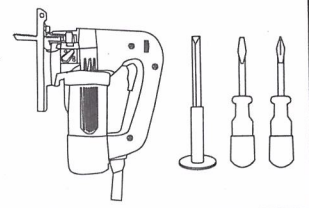
1x



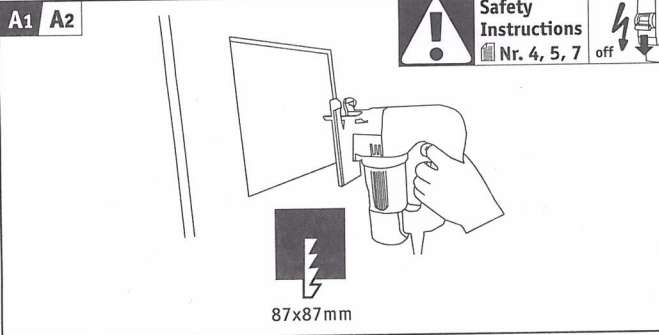
1x



Incl.



A1 A2



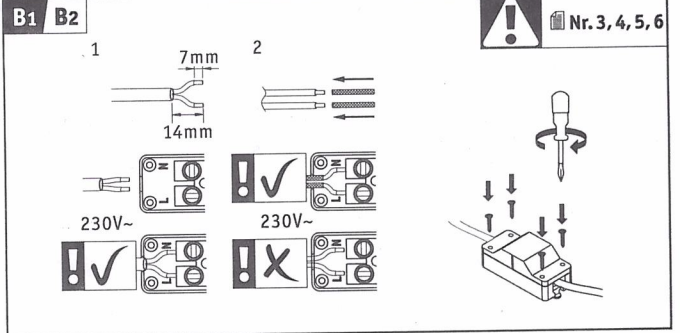
87x87mm



Safety Instructions
Nr. 4, 5, 7

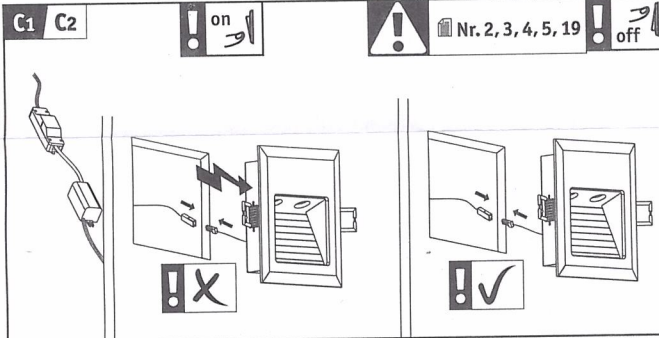


B1 B2



Nr. 3, 4, 5, 6

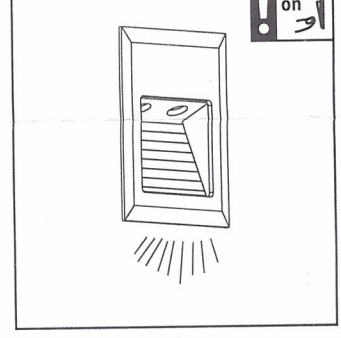
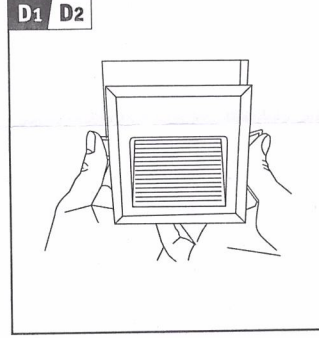
C1 C2



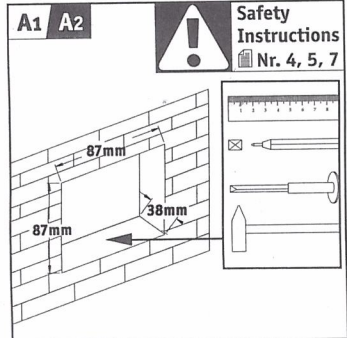
Nr. 2, 3, 4, 5, 19



D1 D2

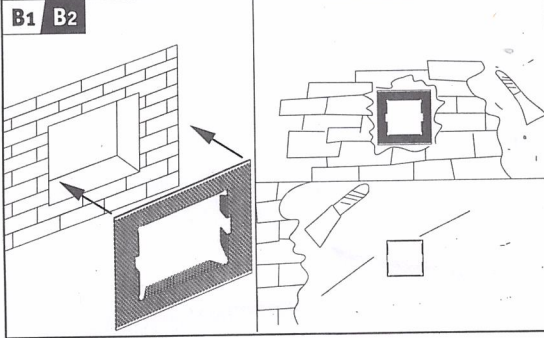


A1 A2

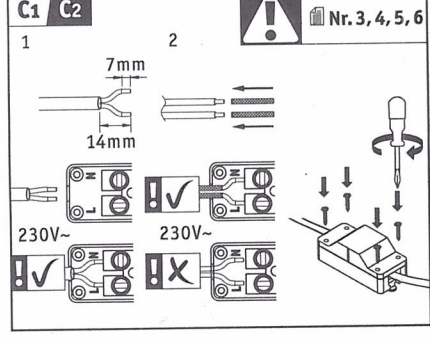


Safety Instructions
Nr. 4, 5, 7

B1 B2

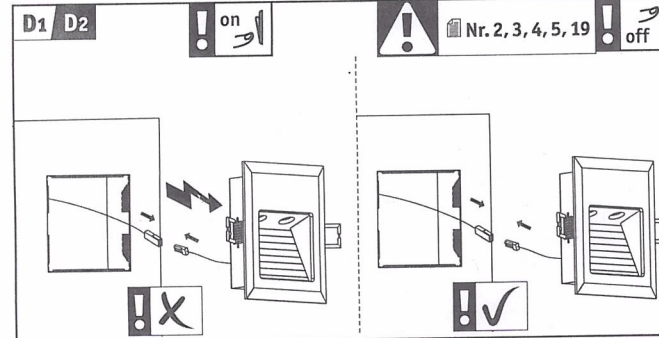


C1 C2



Nr. 3, 4, 5, 6

D1 D2



Nr. 2, 3, 4, 5, 19



E

