



Safety Instructions



0,1,2,4,6,7,11,
12,15,18,22



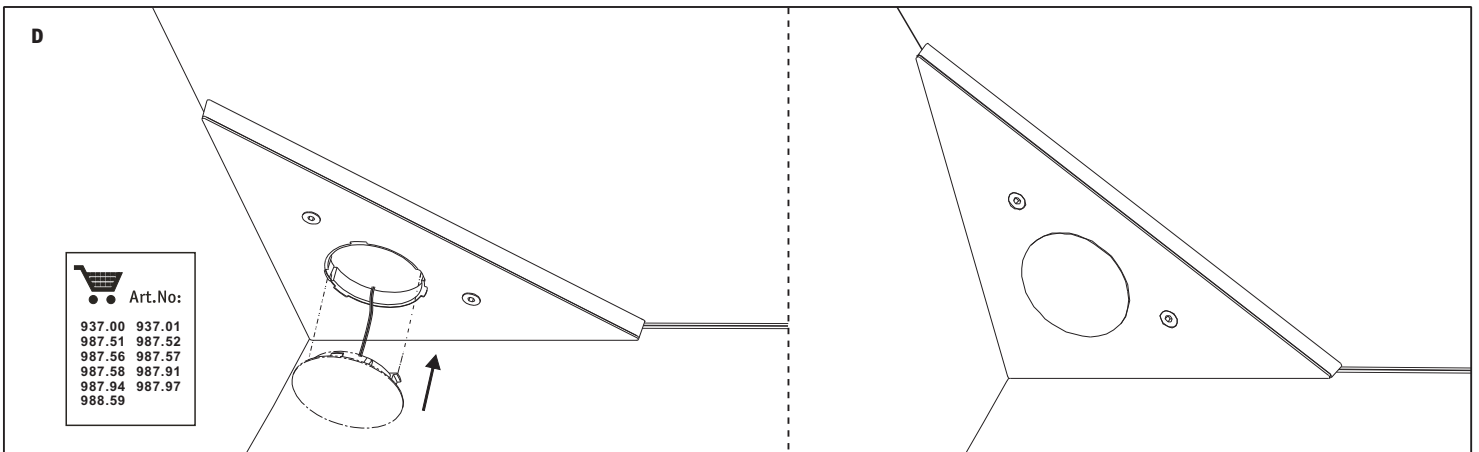
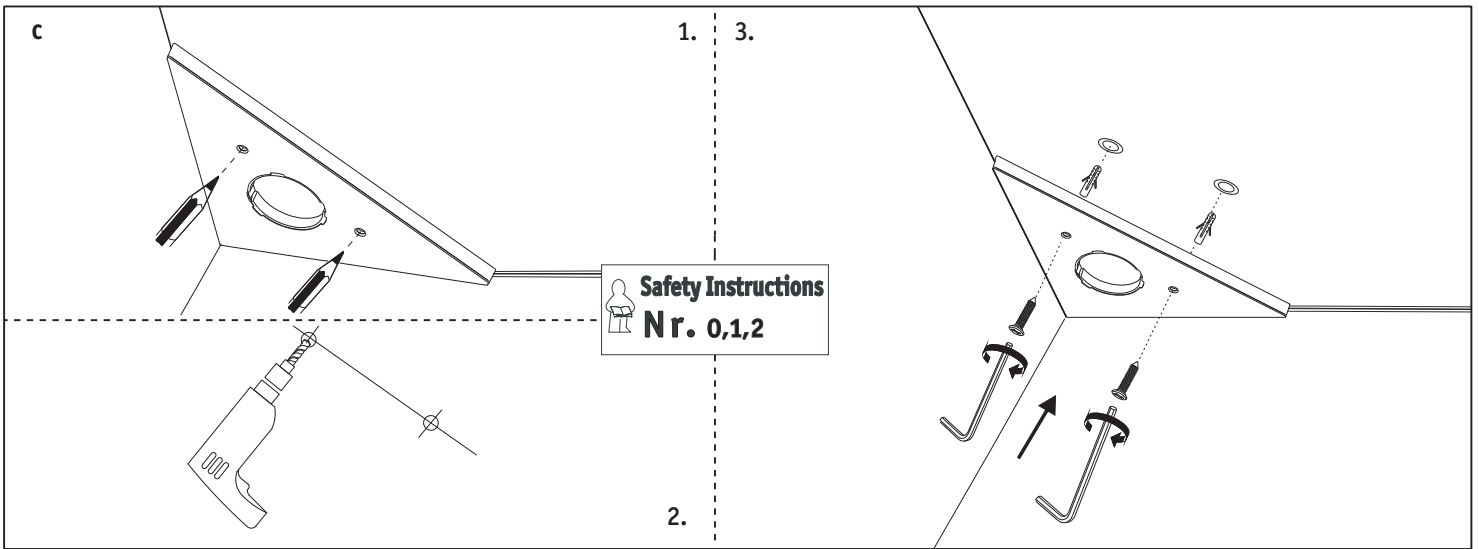
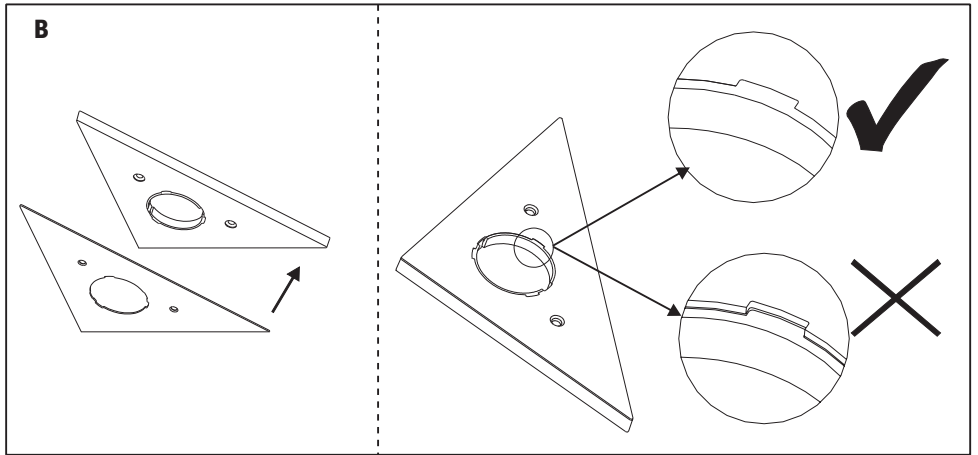
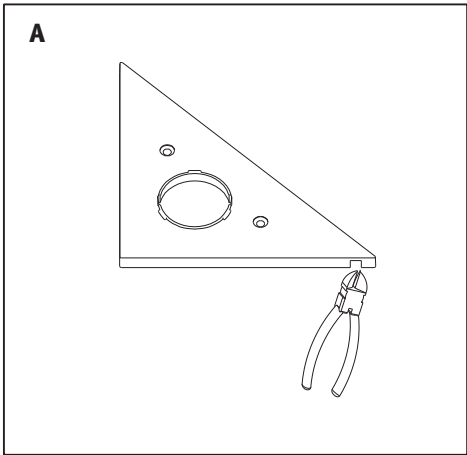
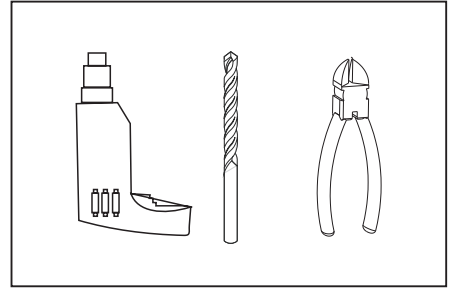
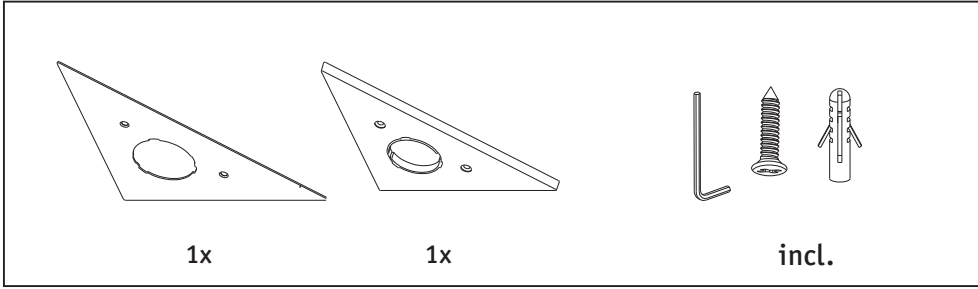
Info Hotline **+49 (0) 5041 998 389**

Mon. - Do. 7⁰⁰ - 20⁰⁰
Fr. 7⁰⁰ - 17⁰⁰

Paulmann Licht GmbH
31832 Springe /Germany
www.paulmann.com

Art.-Nr.:
937.55

(+MA 173)
PSU 05/12



Art.No:
937.00 937.01
987.51 987.52
987.56 987.57
987.58 987.91
987.94 987.97
988.59