



# Safety Instructions



0, 1, 2, 4, 6, 7, 9, 11,  
15, 18, 25, 26, 27



Info Hotline **+49 (0) 5041 998 389**

Mon. - Do. 7<sup>00</sup> - 20<sup>00</sup>  
Fr. 7<sup>00</sup> - 17<sup>00</sup>

Paulmann Licht GmbH  
31832 Springe / Germany  
www.paulmann.com

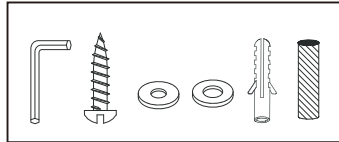
Art.-Nr.:  
**937.80**

(+MA 173)

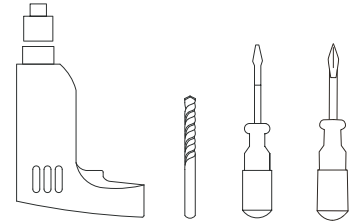
PEV 12/13



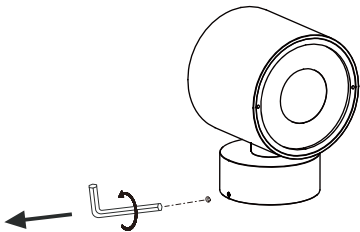
1x



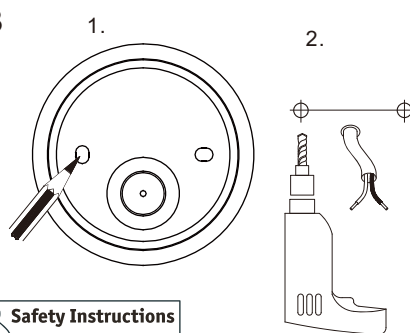
incl.



A

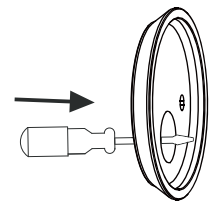


B



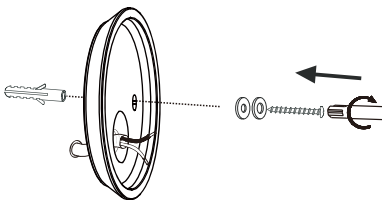
Safety Instructions  
Nr. 0,1,2

C



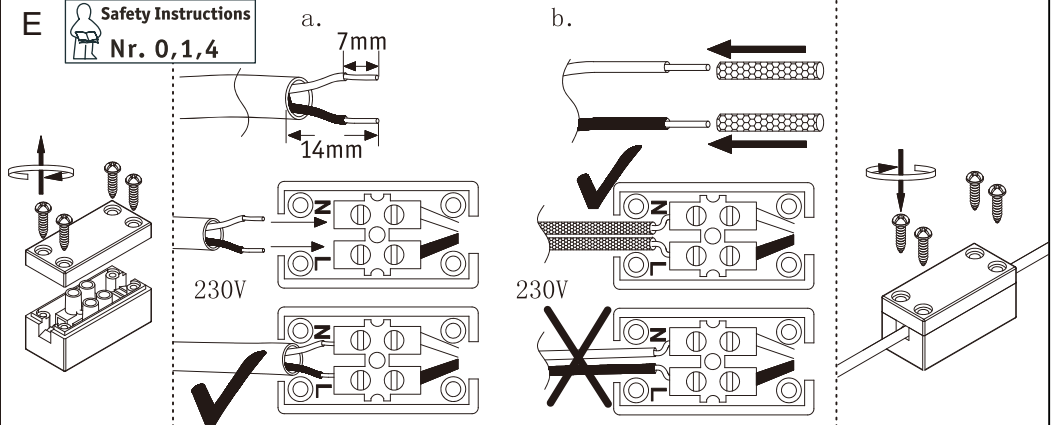
D

Safety Instructions  
Nr. 0,1



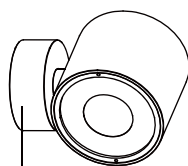
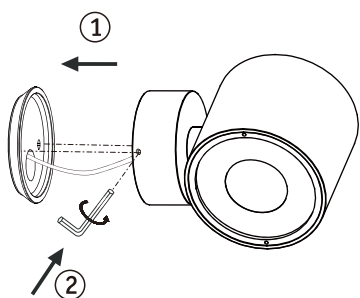
E

Safety Instructions  
Nr. 0,1,4



F

Safety Instructions  
Nr. 0,1



A,B,C,D,E,F

