



Safety Instructions



0, 1, 2, 4, 6, 7, 9, 11,
15, 18, 25, 26, 27



Info Hotline **+49 (0) 5041 998 389**

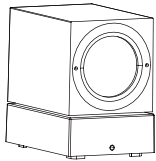
Mon. - Do. 7⁰⁰ - 20⁰⁰
Fr. 7⁰⁰ - 17⁰⁰

Paulmann Licht GmbH
31832 Springe / Germany
www.paulmann.com

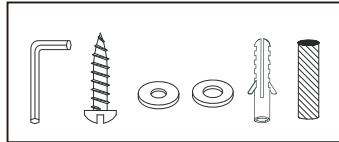
Art.-Nr.:
937.82

(+MA 173)

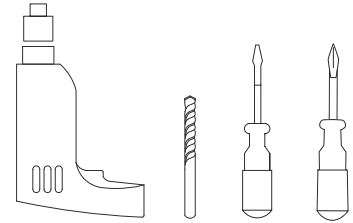
PEV 12/13



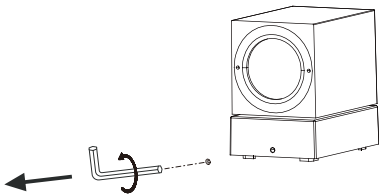
1x



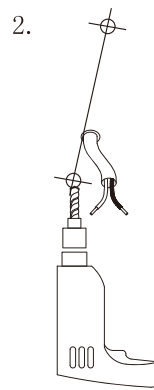
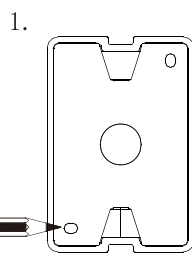
incl.



A

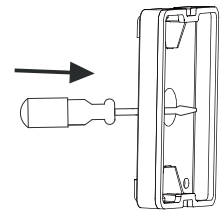


B

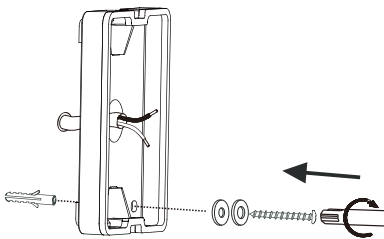


Safety Instructions
Nr. 0, 1, 2

C

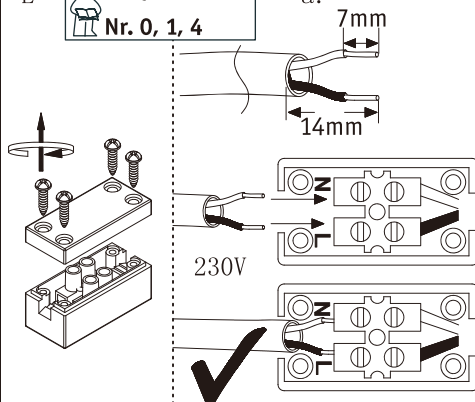


D

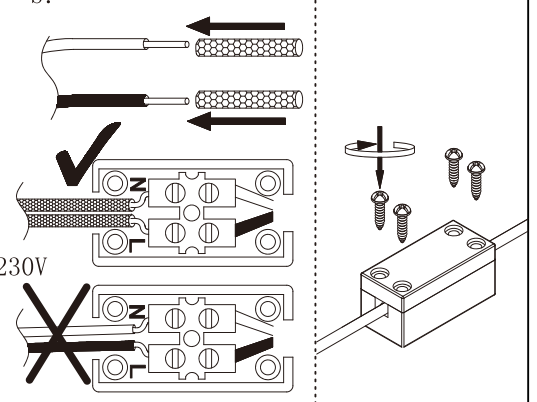


E

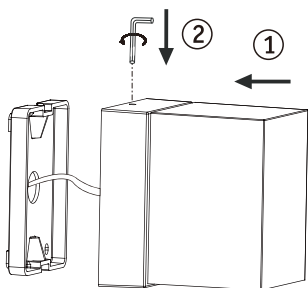
Safety Instructions
Nr. 0, 1, 4



b.



F



180°

