



Safety Instructions



0, 1, 2, 4, 6, 7, 9, 11,
15, 18, 25, 26, 27



Info Hotline +49 (0) 5041 998 389

Mon. - Do. 7⁰⁰ - 20⁰⁰
Fr. 7⁰⁰ - 17⁰⁰

Paulmann Licht GmbH
31832 Springe / Germany
www.paulmann.com

Art.-Nr.:

937.78

937.95

(+MA 173)

PKE 12/13



937.78
2x1W

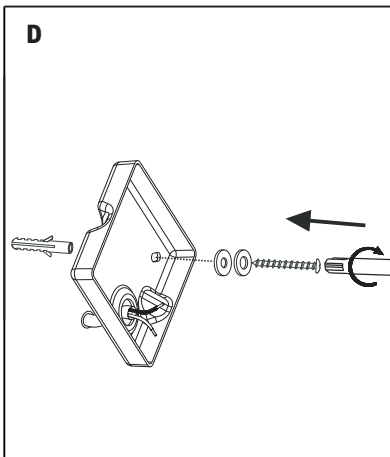
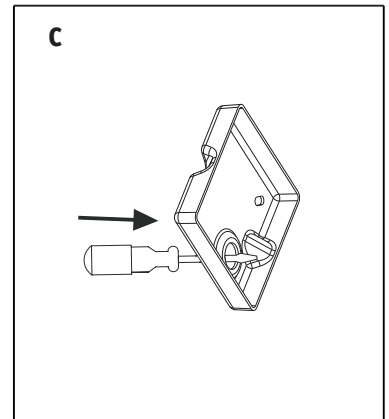
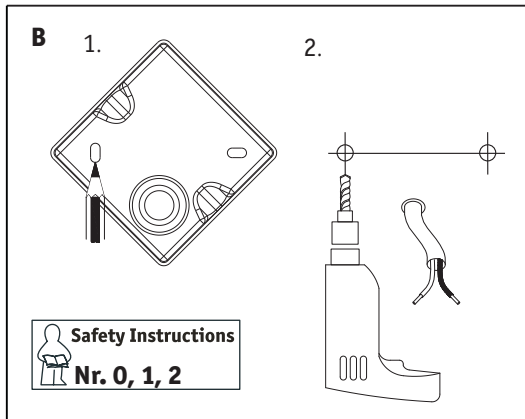
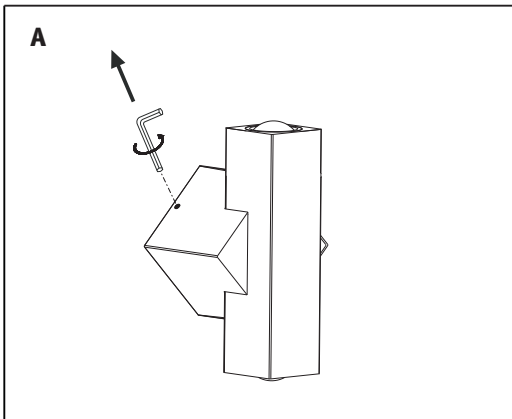
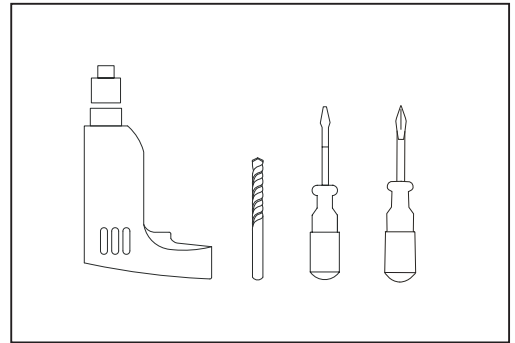
IP44

937.95
1x1W

1x

1x

incl.



E

Safety Instructions
Nr. 0, 1, 4

a.

7mm

14mm

230V

b.

230V

