

## Safety Instructions

1,2,3,4,5,6,7,8,12,13,19,  
28,33,34,...



## Info Hotline



**+49 (0) 5041 998 389**

Mon. - Do. 7<sup>00</sup> - 20<sup>00</sup>

Fr. 7<sup>00</sup> - 17<sup>00</sup>

Paulmann Licht GmbH  
Quezinger Feld 2  
31832 Springe  
Germany

[www.paulmann.com](http://www.paulmann.com)

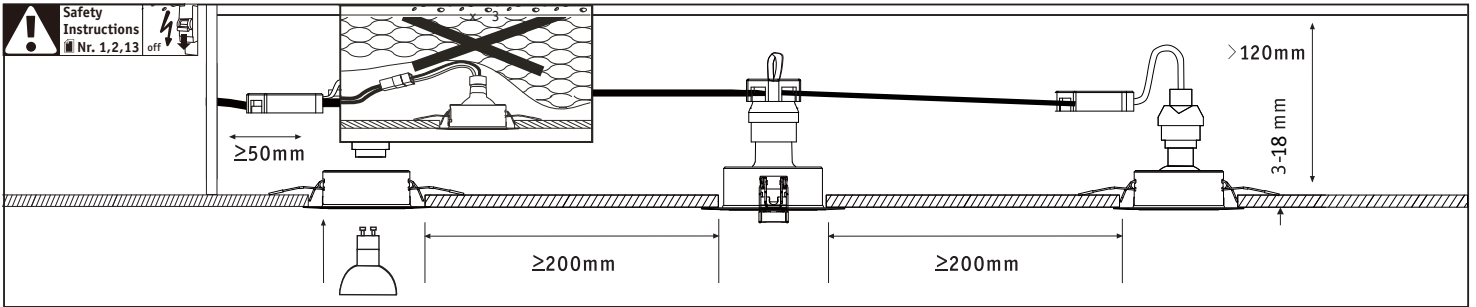
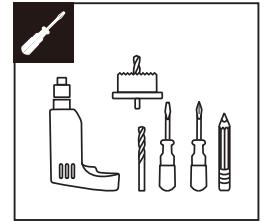
Art.-Nr.: 93845  
93846  
93847  
93848  
93849  
93850  
(+MA326) PSPU 04/16  
**CE**

**93845**  
93846  
93847

3X 6X 3X 3X 1X 6x

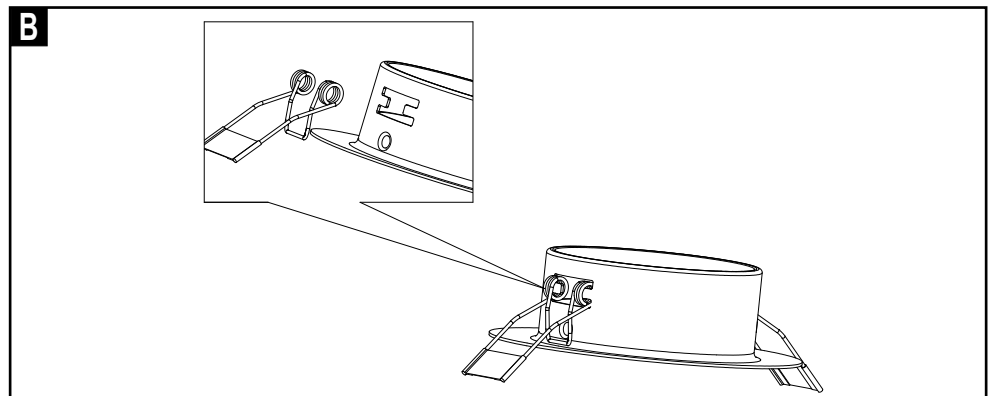
**93848**  
93849  
93850

1X 2X 1X 1X 1X 2x



**A** **Safety Instructions**  
Nr. 4,5,7 off

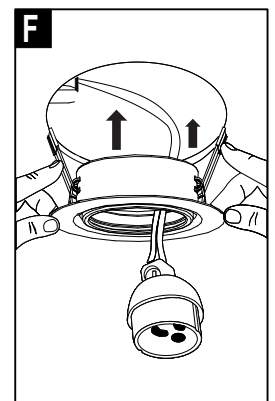
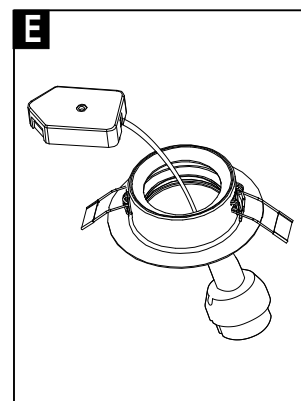
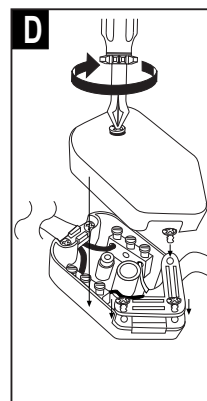
(Ø 73 mm)



**C** **Safety Instructions**  
Nr. 5,6 off

1 7mm 14mm 230V

2 230V



**G**

**Safety Instructions**  
Nr. 3,5,19 off

