



Safety Instructions

1,2,3,4,5,6,7,8,12,13,19,
28,33,34,...



Info Hotline



+49 (0) 5041 998 389

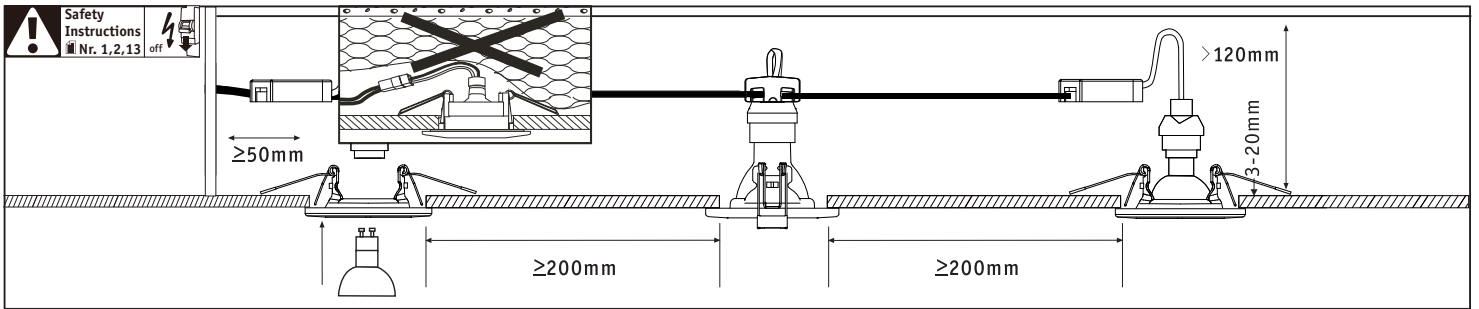
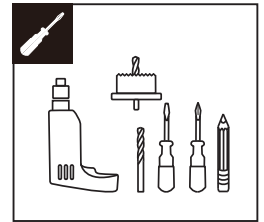
Mon. - Do. 7⁰⁰ - 20⁰⁰

Fr. 7⁰⁰ - 17⁰⁰

Paulmann Licht GmbH
Quezinger Feld 2
31832 Springe
Germany

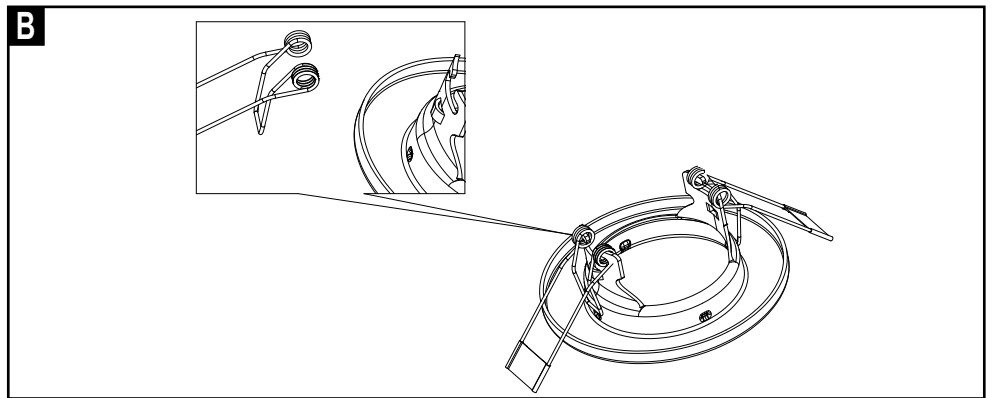
www.paulmann.com

Art.-Nr. : 93851 93852 93853 93854 93855 93856 (+MA326) PSPU 04/16 	93851 93852 93853	93854 93855 93856
	3X 6X 3X 3X 1X 6X	1X 2X 1X 1X 1X 1X 2X



A Safety Instructions Nr. 1,2,13 off

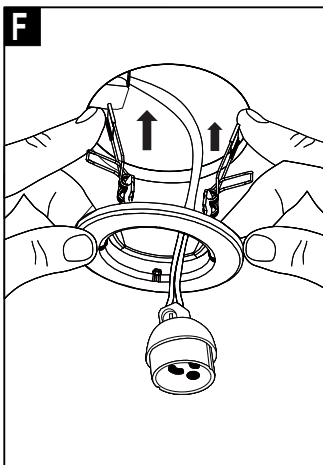
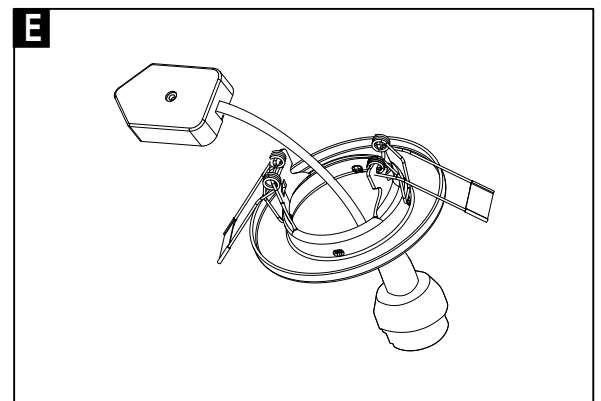
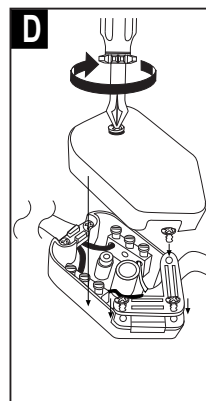
(Ø 60 mm)



C Safety Instructions Nr. 5,6 off

1 7mm
230V 14mm

2 230V



G

Safety Instructions Nr. 3,5,19 off

