



Safety Instructions

1,2,3,4,5,6,7,9,10,12,13,16,19,
20,21,22,24,28,29,31,32,33,34

31.08.2021 | 01.09.2021

ENERGY LABEL 874/2012 | ENERGY LABEL 2019/2015

A++ - A | G

www.paulmann.com/symbols

Paulmann Licht GmbH
Quezinger Feld 2
31832 Springe
Germany

www.paulmann.com

Art.-Nr.: 938.69/938.70/938.71
938.72/938.73/938.74
938.88/938.89/938.90
938.91/938.92/938.93
938.94/938.95/939.00
939.01
(+MA326)PBO 07/22

938.69
938.71
938.72
939.00

Incl.

1x | 1x

CE UK CA

938.70
938.73
938.74
939.01

Incl.

3x | 3x

938.88
938.91
938.92
938.94

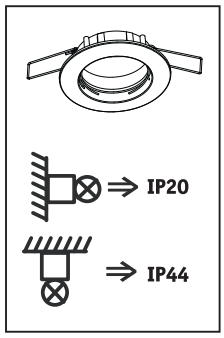
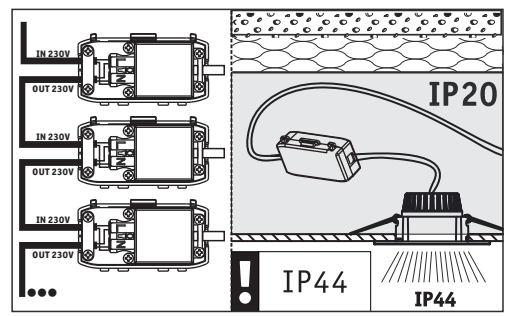
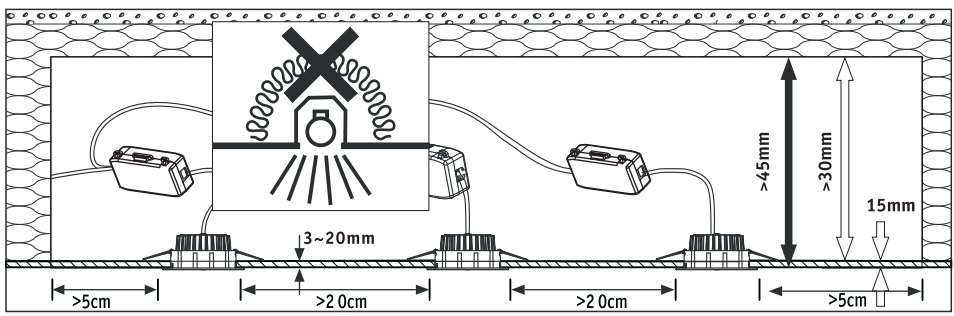
Incl.

1x | 1x

938.89
938.90
938.93
938.95

Incl.

3x | 3x



A

Safety Instructions Nr. 5, 7

off

68mm
www.paulmann.com

