



Safety Instructions



0,1,3,4,6,7,8,9,
11,12,13,15,18,19,
21,22,23,24,27,28

Info Hotline



+49 (0) 5041 998 389

Mon. - Do. 7⁰⁰ - 20⁰⁰

Fr. 7⁰⁰ - 17⁰⁰

Paulmann Licht GmbH
31832 Springe / Germany
www.paulmann.com

Art.-Nr :

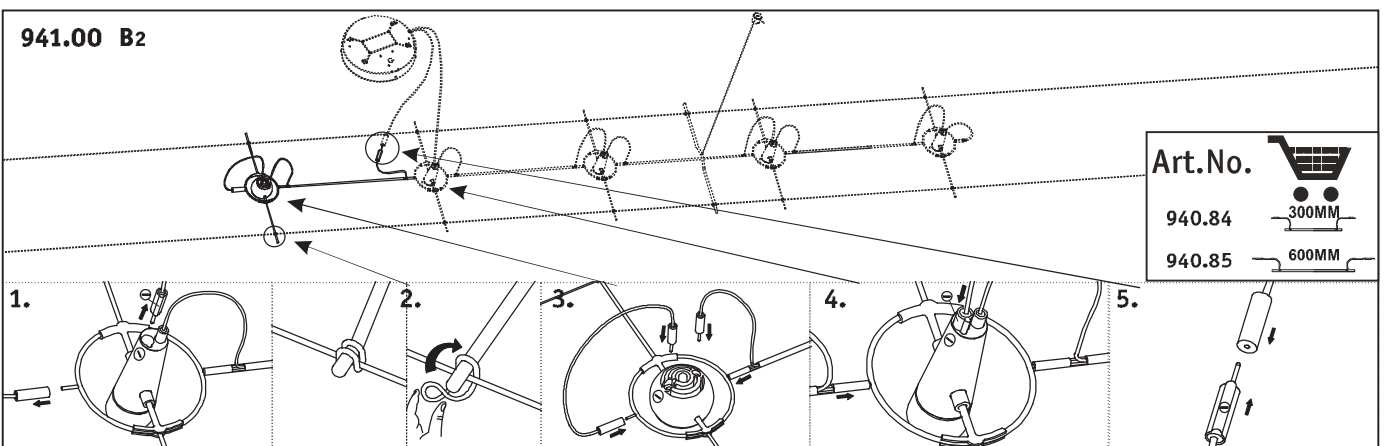
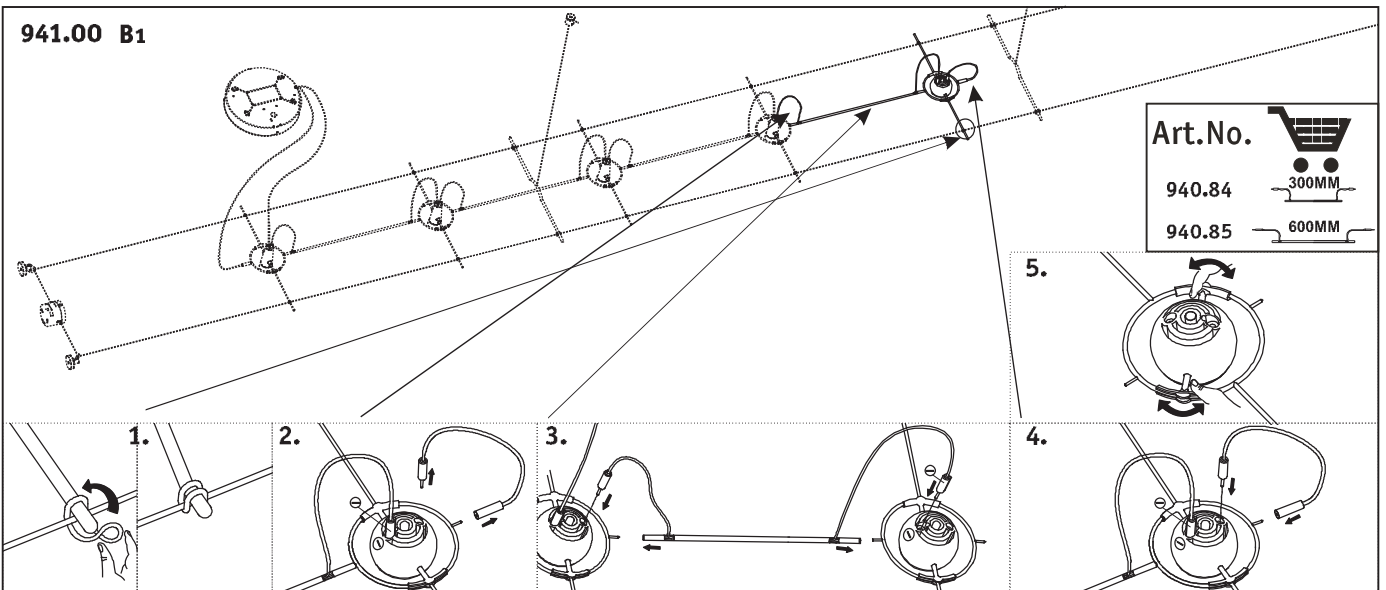
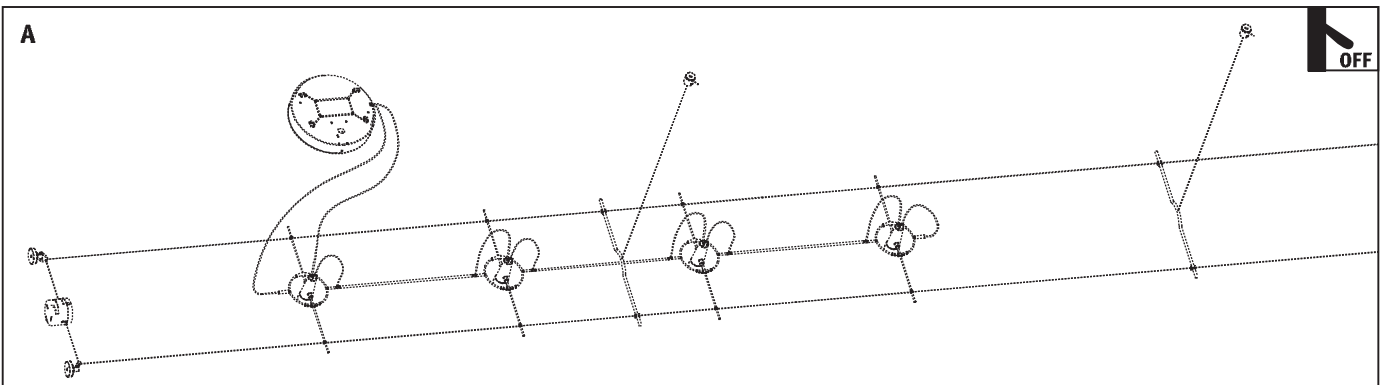
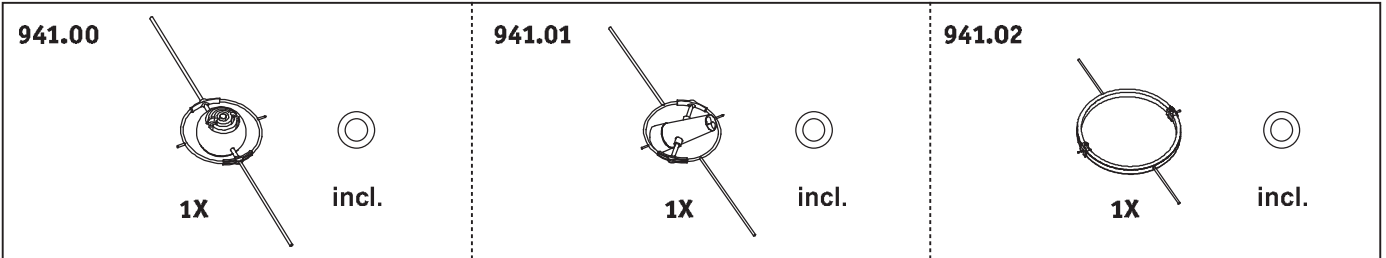
941.00

941.01

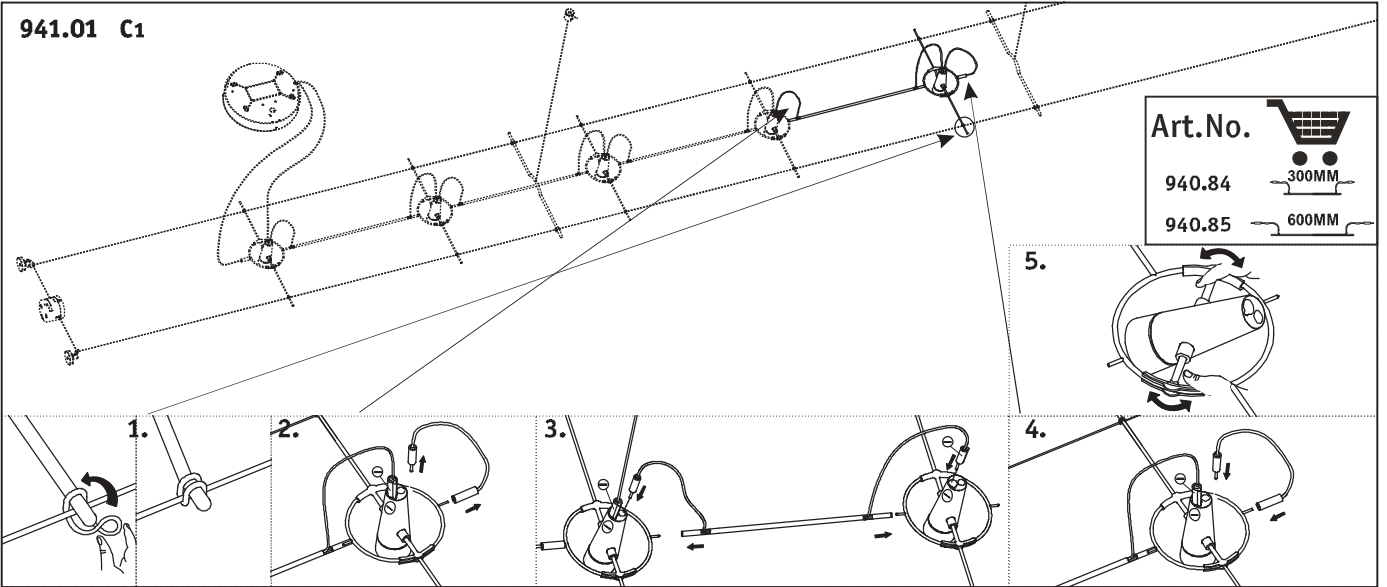
941.02




(+MA 173)

PSU 12/12

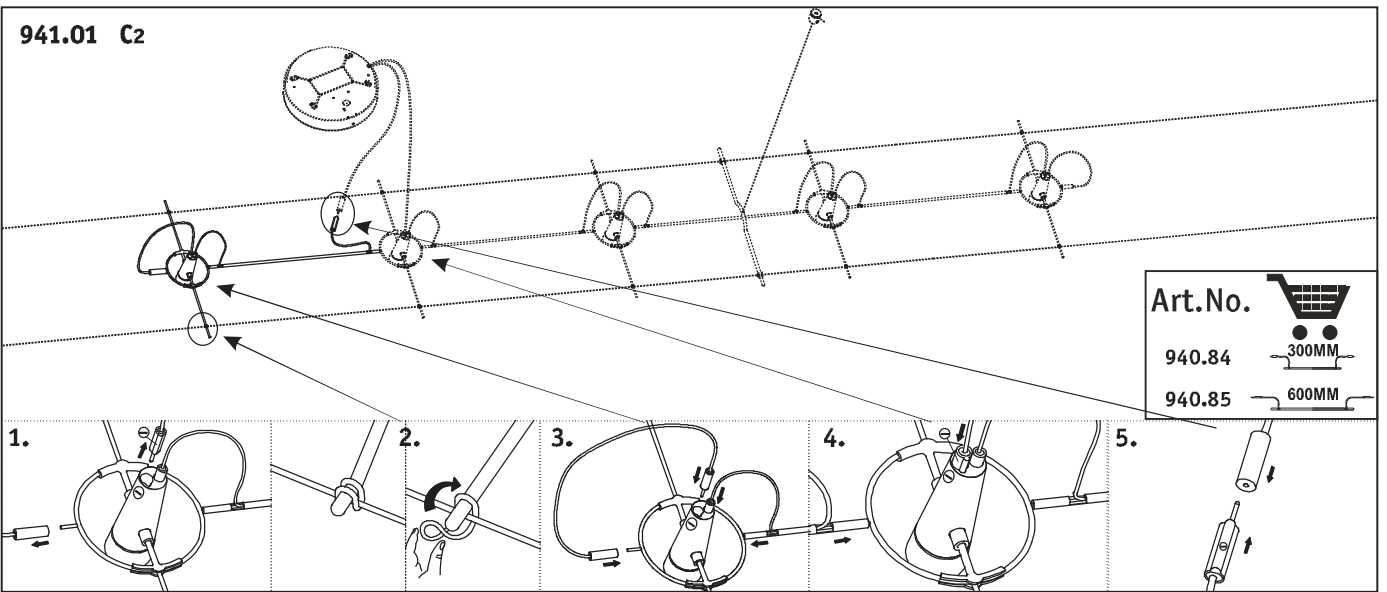





941.01 C1



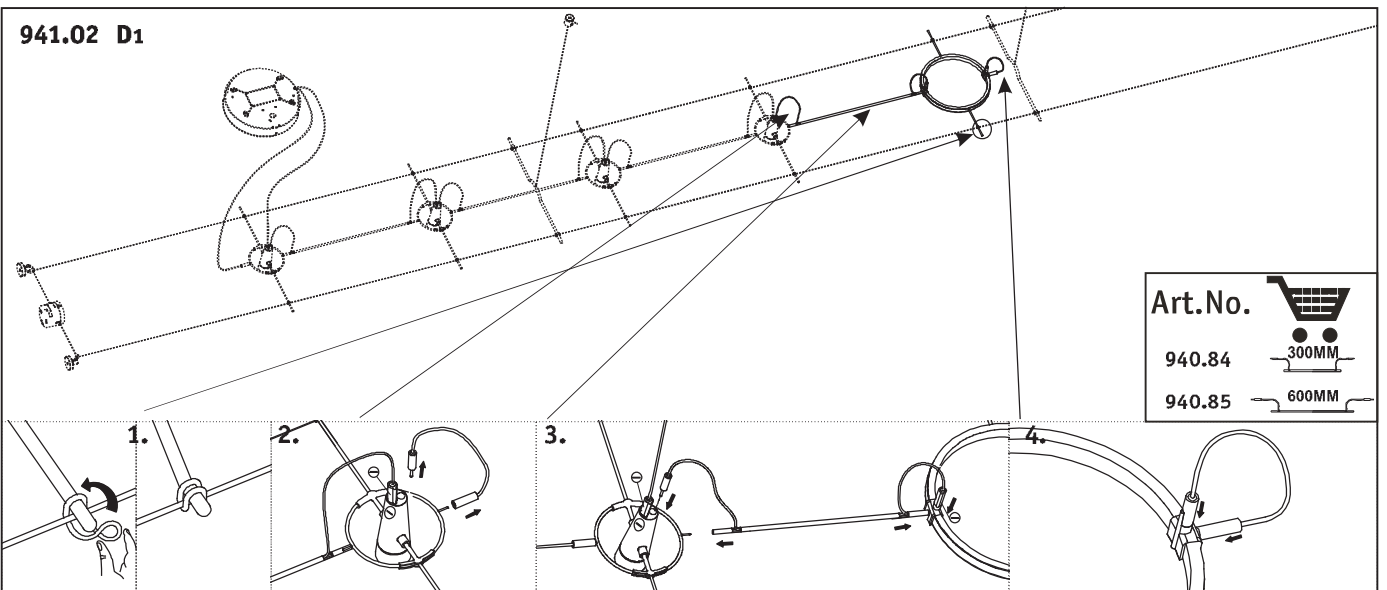
Art.No. 
 940.84 
 940.85 

941.01 C2



Art.No. 
 940.84 
 940.85 

941.02 D1



Art.No. 
 940.84 
 940.85 

941.02 D2

