



Safety Instructions



0,1,3,4,6,7,8,9,
11,12,13,15,18,19,
21,22,23,24,27,28



+49 (0) 5041 998 389

Mon.-Do. 7⁰⁰ - 20⁰⁰

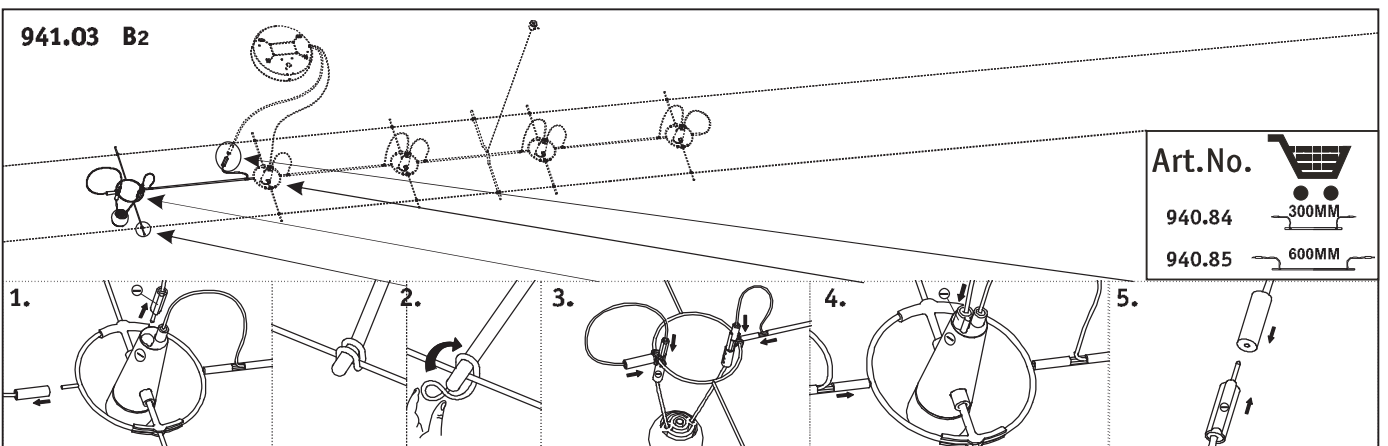
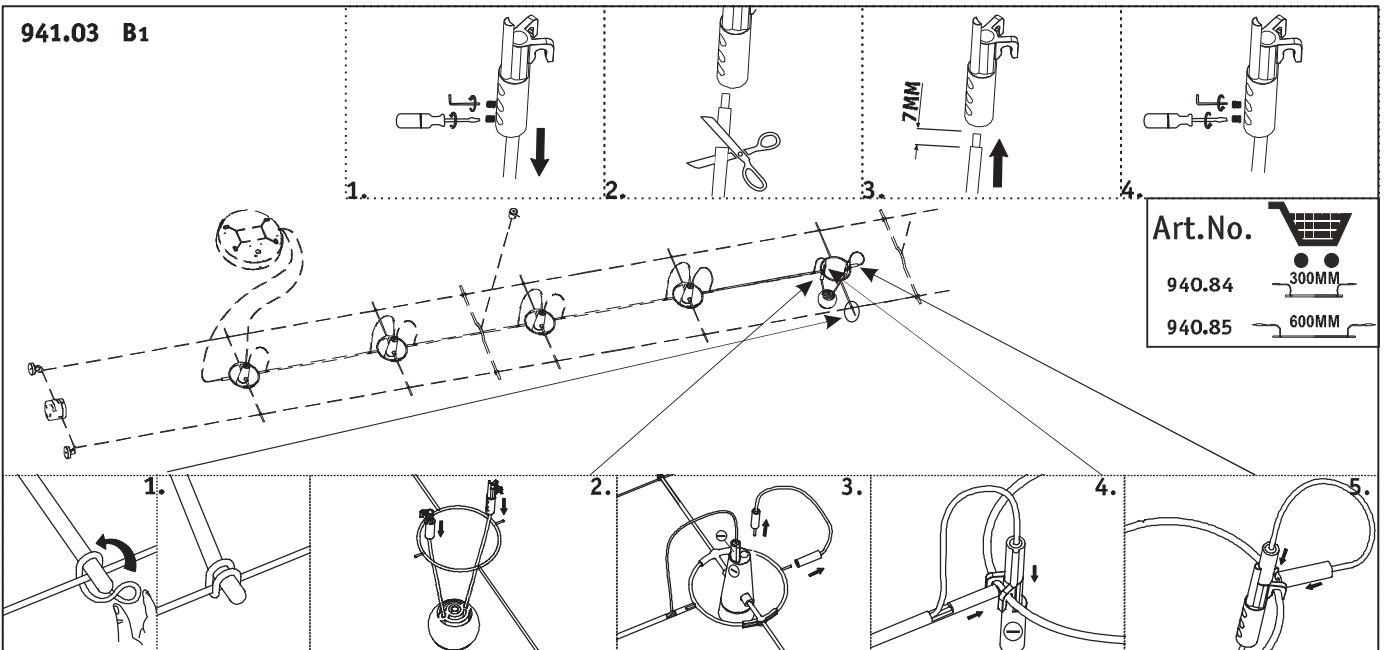
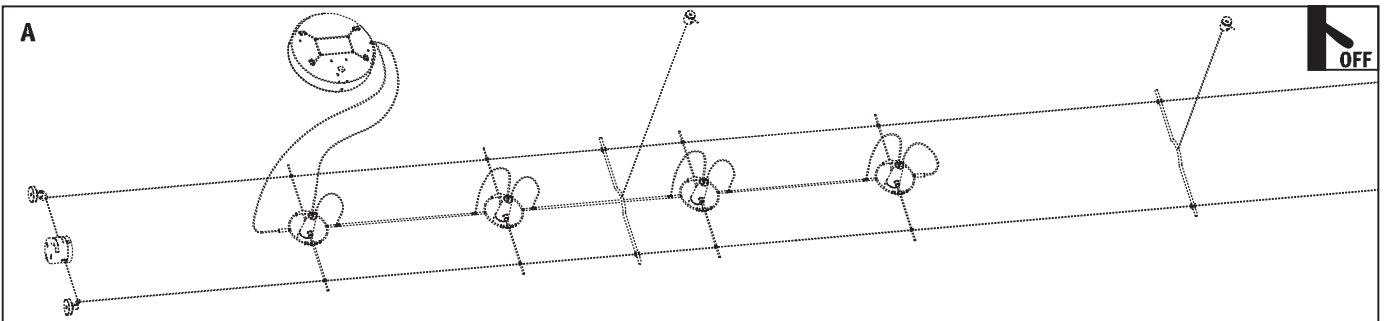
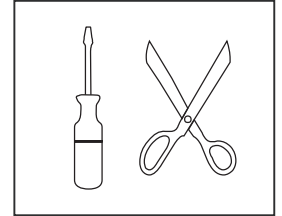
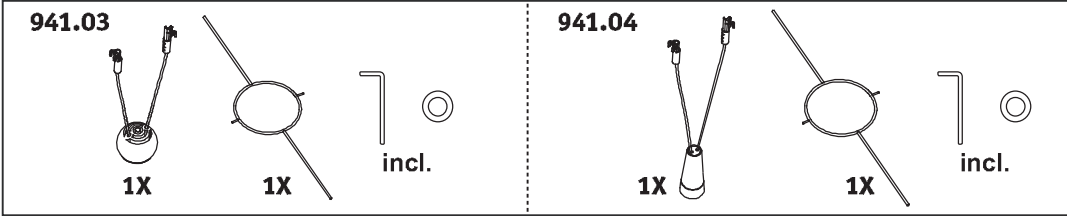
Fr. 7⁰⁰ - 17⁰⁰

Paulmann Licht GmbH
31832 Springe / Germany
www.paulmann.com

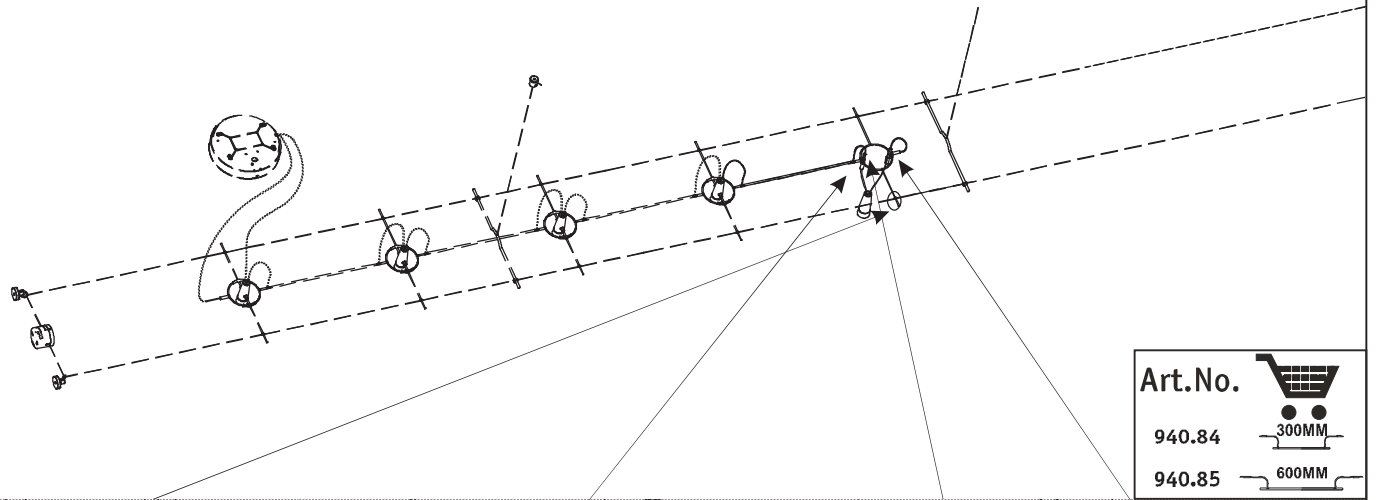
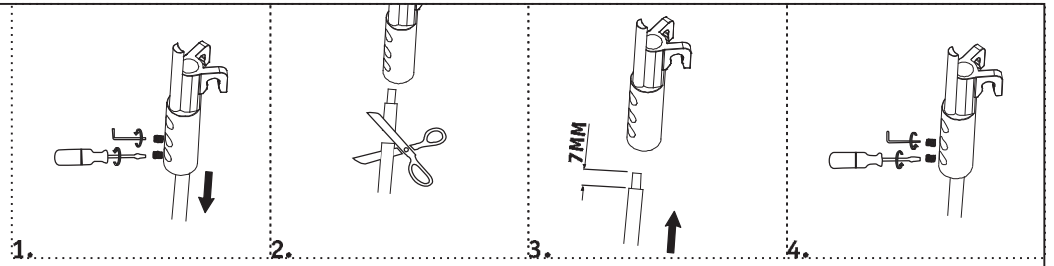
Art.-Nr.:


941.03
941.04


(+MA 173)
PSU 12/12




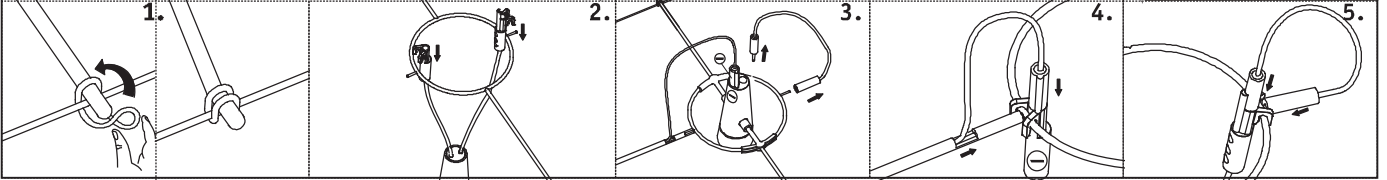
941.04 C1



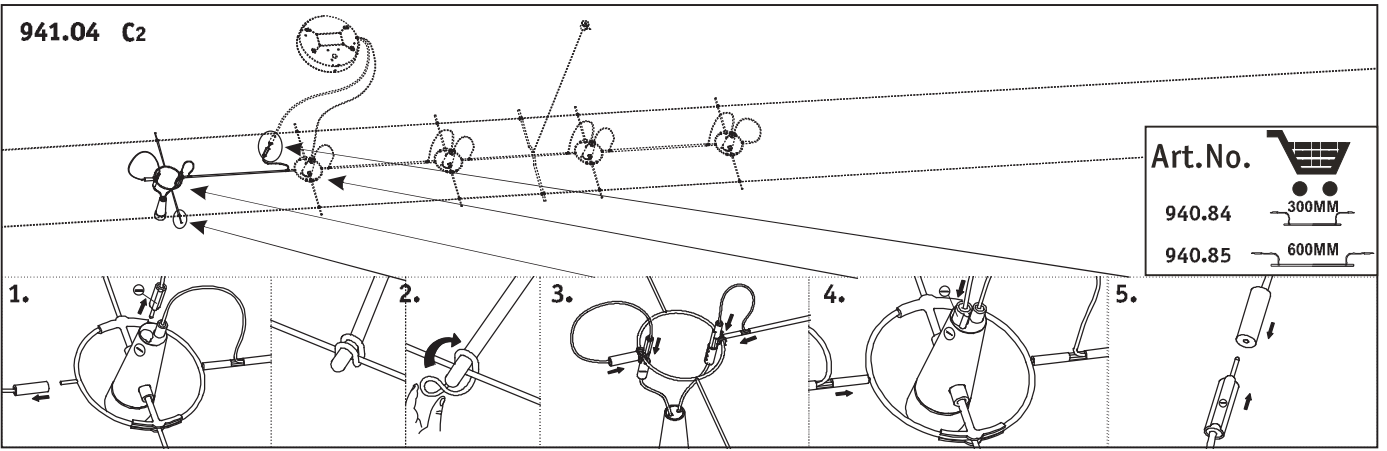
Art.No. 

940.84  300MM

940.85  600MM



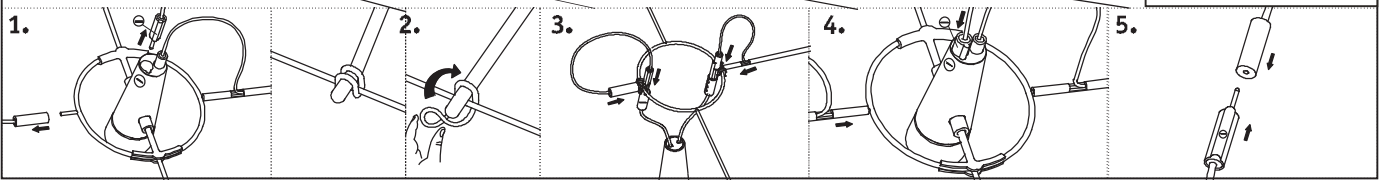
941.04 C2



Art.No. 

940.84  300MM

940.85  600MM



D

