

Safety Instructions

1, 2, 3, 4, 5, 6, 7, 8, 12, 13, 16, 22, 23,
24, 26, 33, 34



Info

www.paulmann.com

Paulmann Licht GmbH
Quezinger Feld 2
31832 Springe
Germany

www.paulmann.com

Art.-Nr.: 949.89

949.90

949.91

949.92

949.93

949.94

949.95

(+326) PH12/18



949.89



1x

949.90



1x

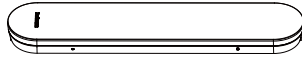
949.91



1x

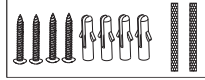


949.94
949.95



1x

Incl.



949.92



1x

Incl.

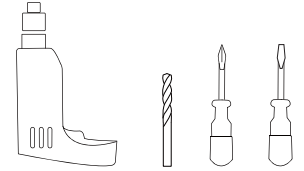


949.93

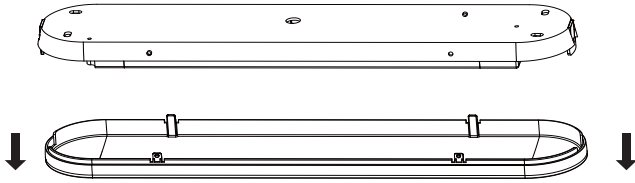


1x

Incl.



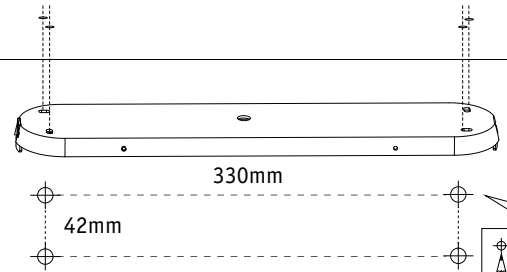
A



B

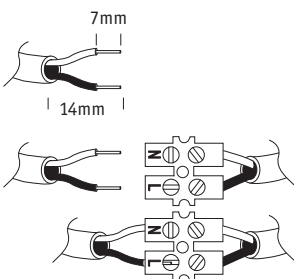


Safety
Instructions
Nr. 1-8

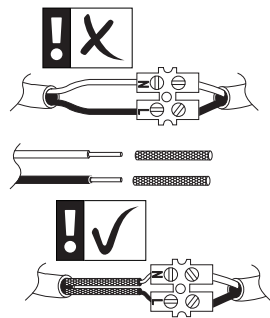


C

1.

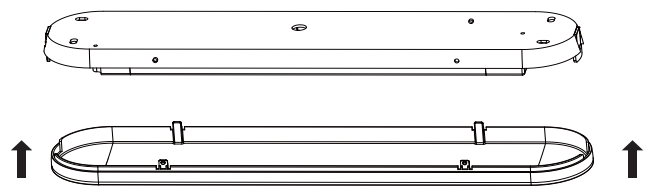


2.

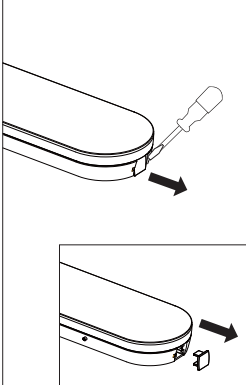


Nr. 5, 6, 7

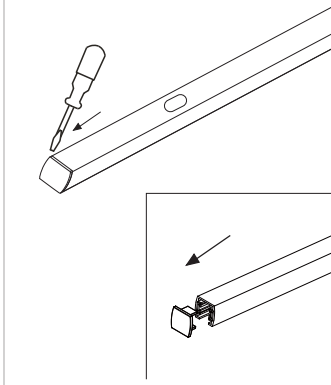
D



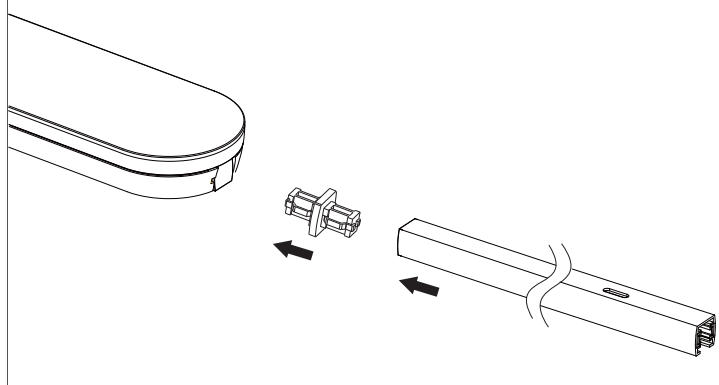
E



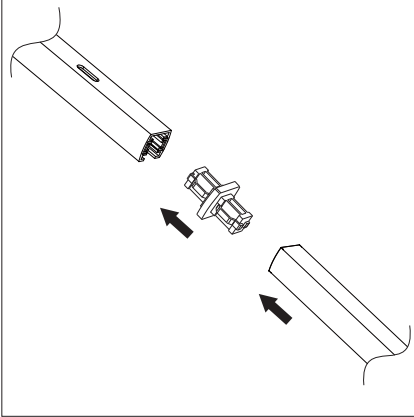
F



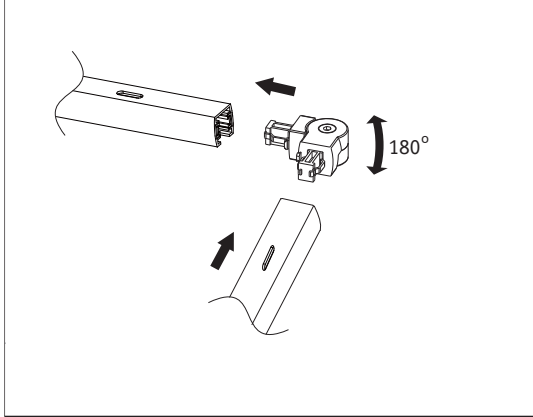
G



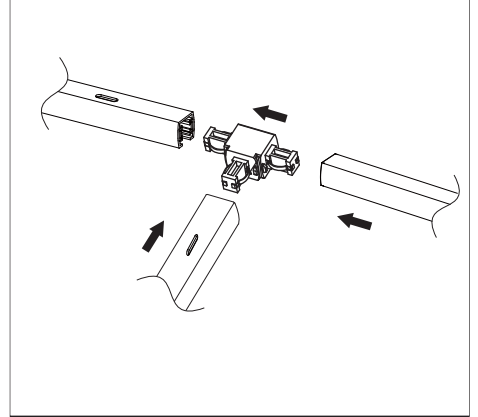
H1 H2 H3



H1 H2 H3



H1 H2 H3



 Nr.1-8,22,26

