



Safety Instructions



0,1,4,6,7,8,9,11,15,
23,26,27



+49 (0) 5041 998 389

Mon. - Do. 7⁰⁰ - 20⁰⁰

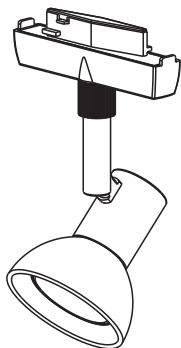
Fr. 7⁰⁰ - 17⁰⁰

Paulmann Licht GmbH
31832 Springe / Germany
www.paulmann.com

Art.-Nr.:
950.59

(+MA 173)

PH 08/10



1x

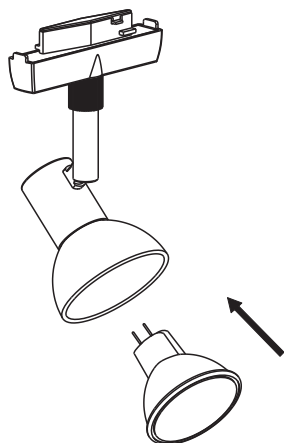


1x



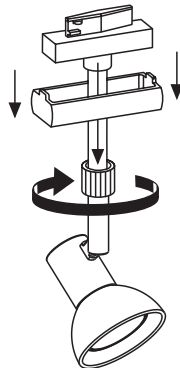
1x

A

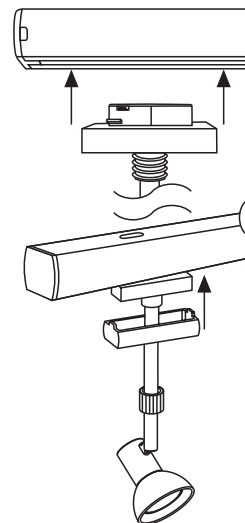



 Safety Instructions
Nr.7,8

B

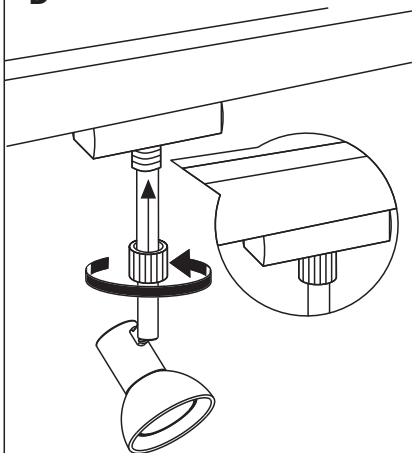


C



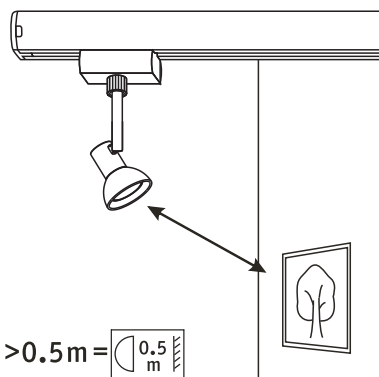
 Safety Instructions
Nr.0

D

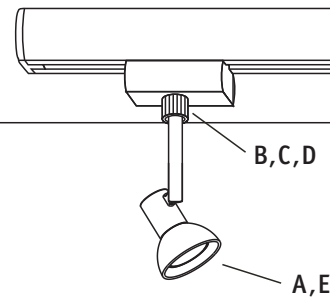


 Safety Instructions
Nr.0.4

E



 Safety Instructions
Nr.9



35W 35mm GU4

Art.No.
833.76