








Safety Instructions  

0,1,2,3,4,6,
7,8,9,10,11,12,13,15
18,19,21,22,23,24,27,28



Info Hotline 


+49 (0) 5041 998 389
Mon. - Do. 7⁰⁰ - 20⁰⁰
Fr. 7⁰⁰ - 17⁰⁰

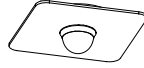


Paulmann Licht GmbH
Quezinger Feld 2
31832 Springe
Germany
www.paulmann.com


Art.-Nr.: 950.76 952.25...

(+MA173) PSU 07/15

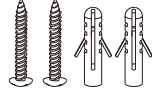
 **950.76**
952.25



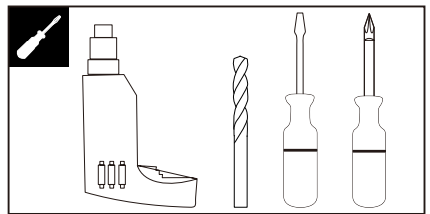
1X






2M



incl.



A

Art.No. 950.75 952.24   

B

max LED 3X10W

max LED 3X10W

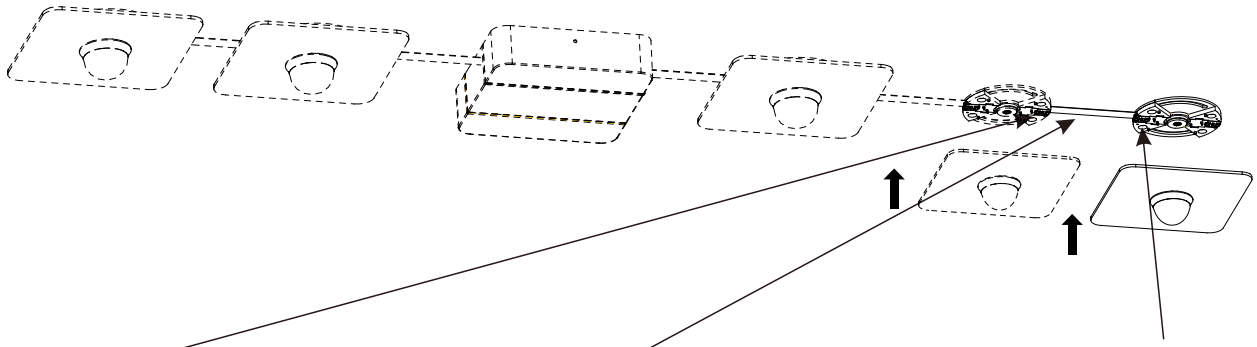
C

0-90°

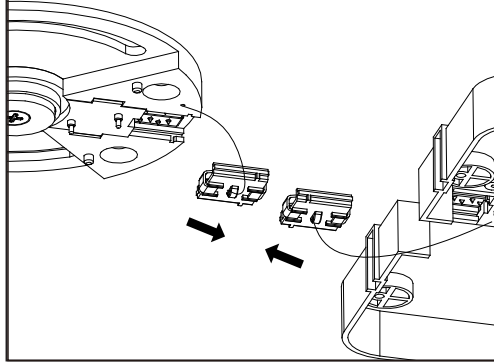
0-90°

D

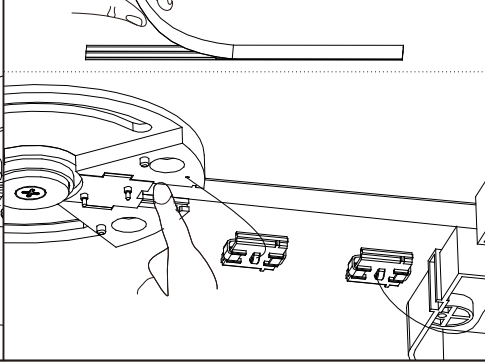
E



a



b



c

