

**Safety Instructions** !



0, 1, 4, 6, 7, 8, 11, 15, 22  
27



Info Hotline

+49 (0) 5041 998 389

Mon. - Do. 7<sup>00</sup> - 20<sup>00</sup>

Fr. 7<sup>00</sup> - 17<sup>00</sup>



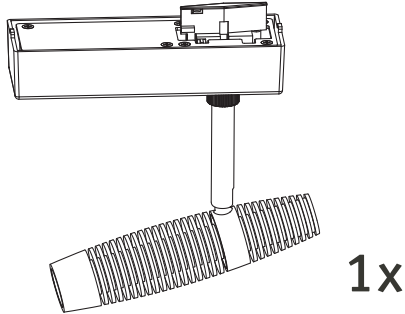
Paulmann Licht GmbH  
Quezinger Feld 2  
31832 Springe/Germany  
www.paulmann.com

Art.-Nr.:

**950.83**

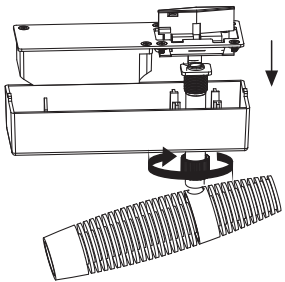
(+MA 173)

PH 06/13



1x

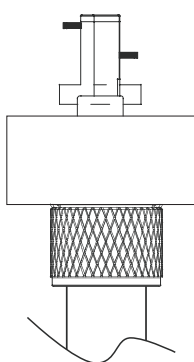
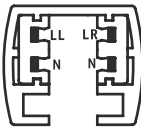
**A**



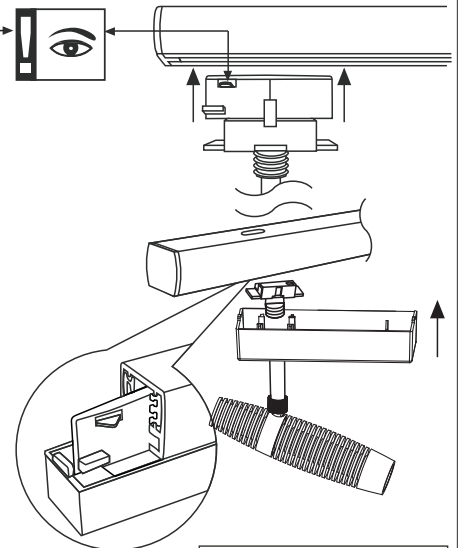
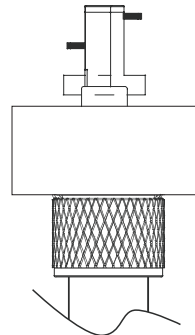
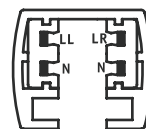
Safety Instructions  
Nr. 7,8

**B**

LL --- N

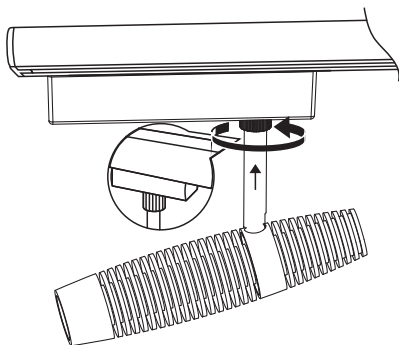


LR --- N



Safety Instructions  
Nr. 0

**C**



Safety Instructions  
Nr. 4

