



Safety Instructions



0, 1, 4, 6, 7, 8, 11, 15
22, 27

 Info Hotline 

+49 (0) 5041 998 389

Mon. - Do. 7⁰⁰ - 20⁰⁰

Fr. 7⁰⁰ - 17⁰⁰

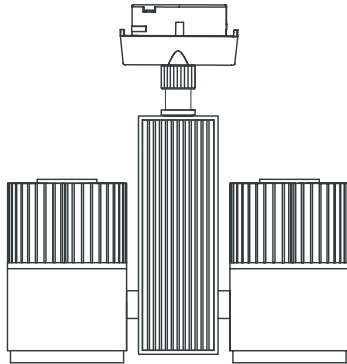


Paulmann Licht GmbH
31832 Springe / Germany
www.paulmann.com

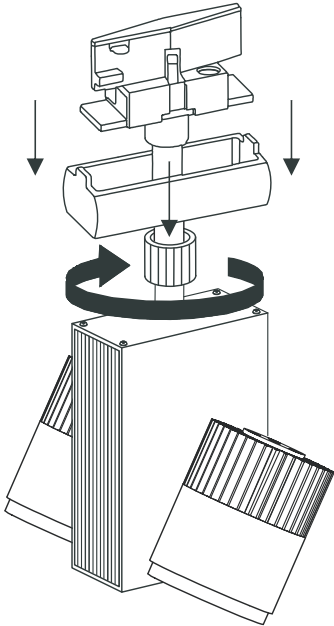
Art.-Nr.:
95084

(+MA 173)

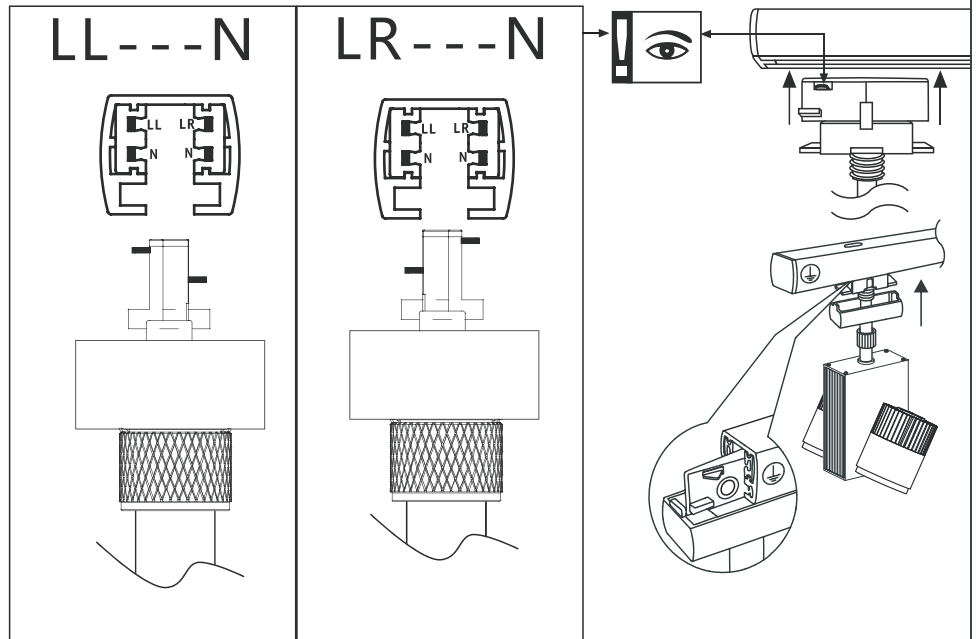
PEV 06/13



A



B



C

