




0,1,4,6,7,8,9,11,15,
23,26,27



Info Hotline 

+49 (0) 5041 998 389

Mon. - Do. 7⁰⁰ - 20⁰⁰

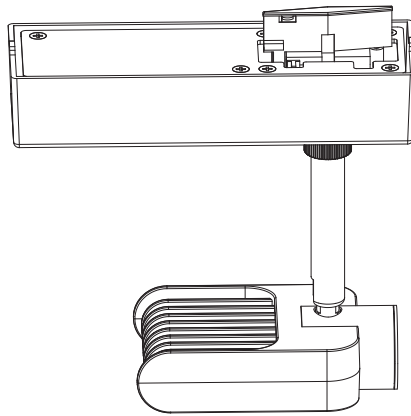
Fr. 7⁰⁰ - 17⁰⁰

Paulmann Licht GmbH
31832 Springe / Germany
www.paulmann.com

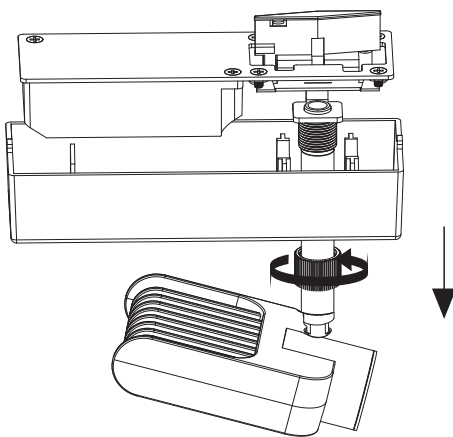
Art.-Nr.:
951.14

(+MA 173)

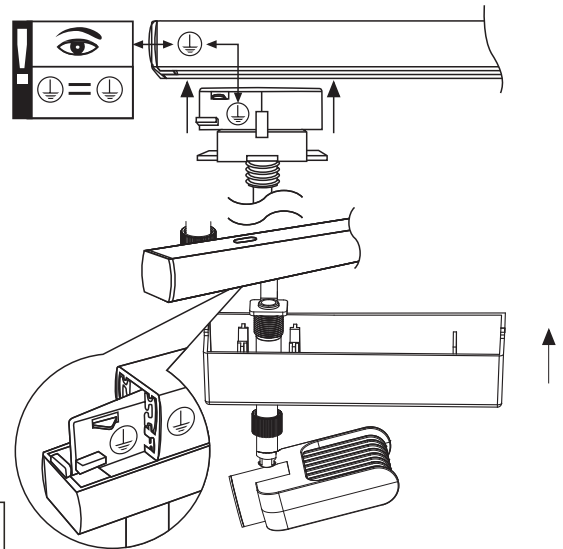
PH 10/11




A

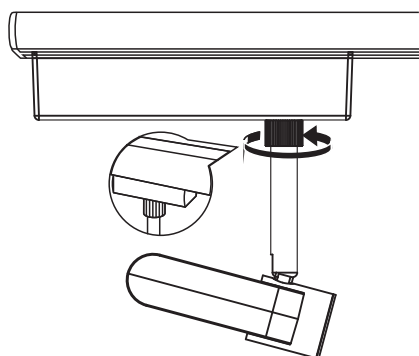


B

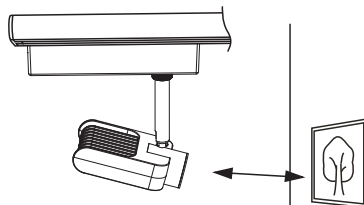


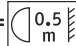
 Safety Instructions
Nr.0

C



D



>0.5 m =  0.5 m

 Safety Instructions
Nr.0.9

 Safety Instructions
Nr.0.4

