



Safety Instructions



0,1,2,3,4,5a,5b,6,7,8,
9,11,15,20,22,26,27



Info Hotline **+49 (0) 5041 998 389**

Mon. - Do. 7⁰⁰ - 20⁰⁰

Fr. 7⁰⁰ - 17⁰⁰




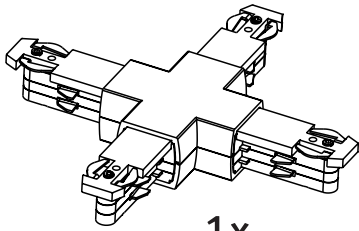
Paulmann Licht GmbH
Quezinger Feld 2
31832 Springe / Germany

Art.-Nr.:

951.44

(+MA 173)

PH 04/13 

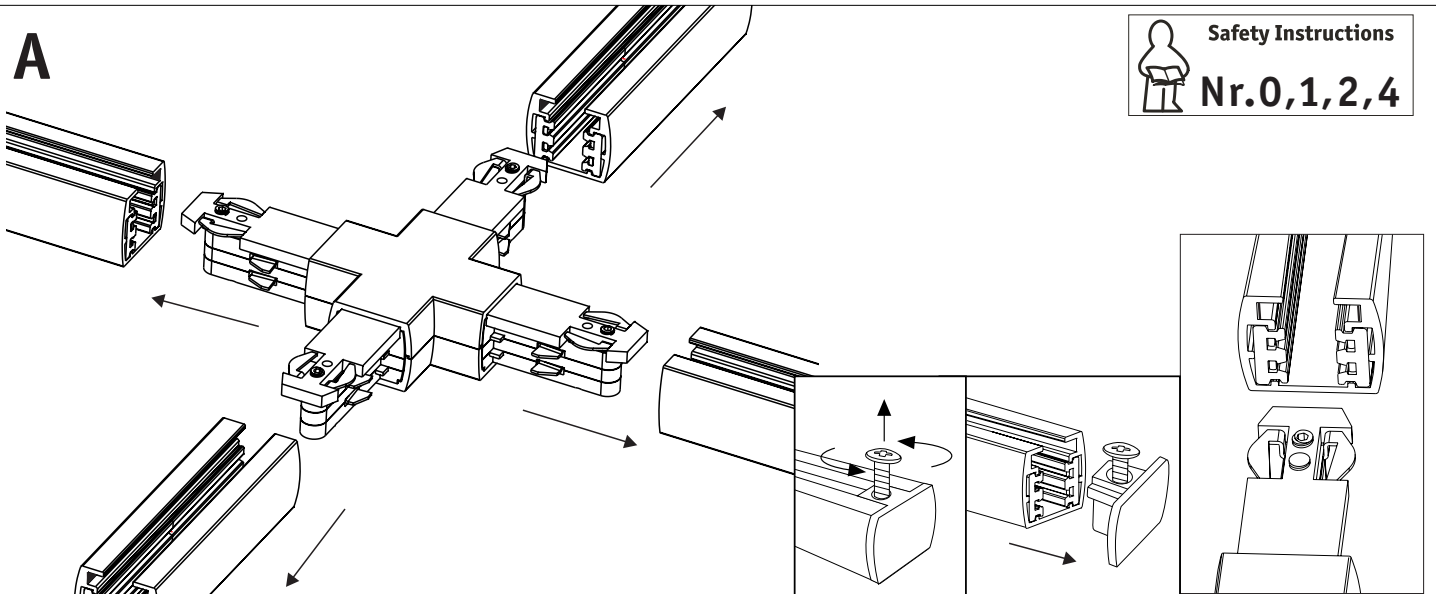


1x



1x

A



B

