



Safety Instructions



0,1,4,6,7,8,9,11,15,23,
26,27



Info Hotline **+49 (0) 5041 998 389**

Mon. - Do. 7⁰⁰ - 20⁰⁰

Fr. 7⁰⁰ - 17⁰⁰



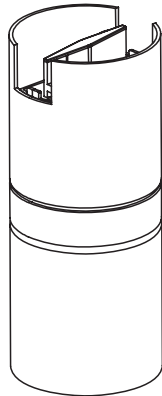
Paulmann Licht GmbH
Quezinger Feld 2
31832 Springe / Germany

Art.-Nr.:

951.53

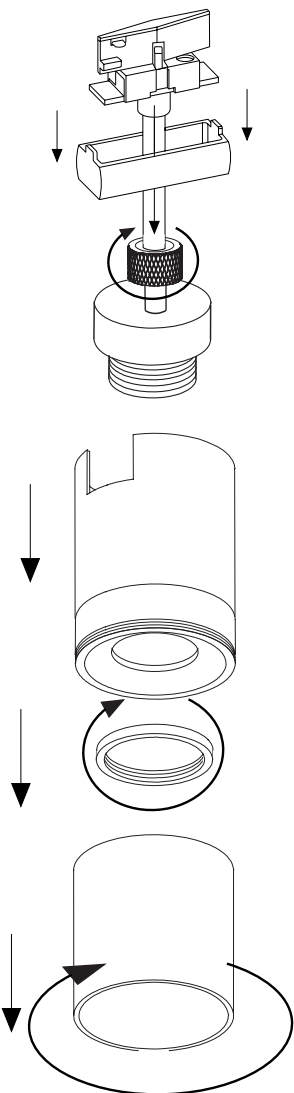
(+MA 173)

PH 04/13



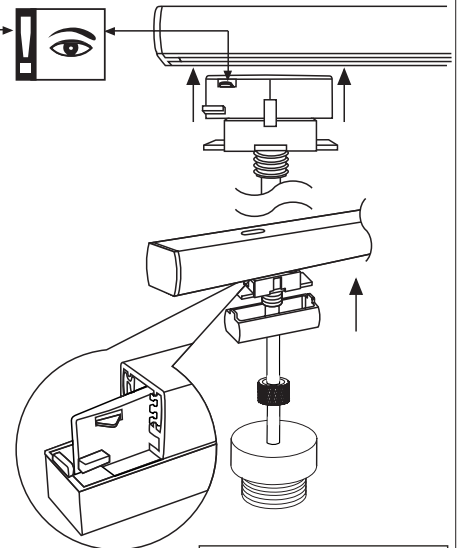
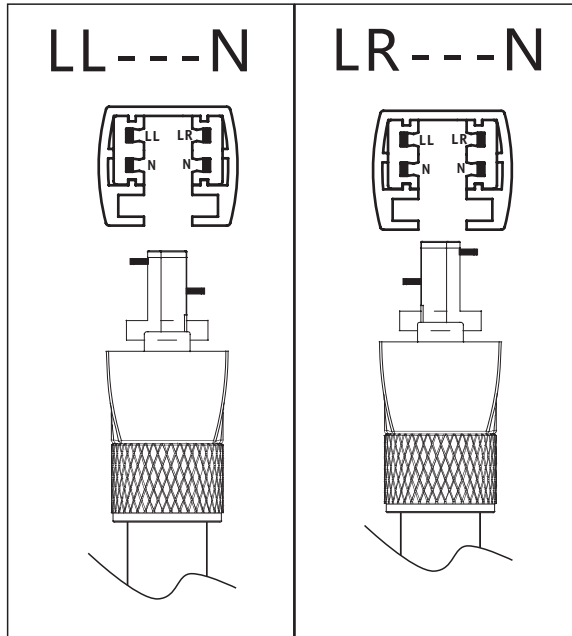
1x

A



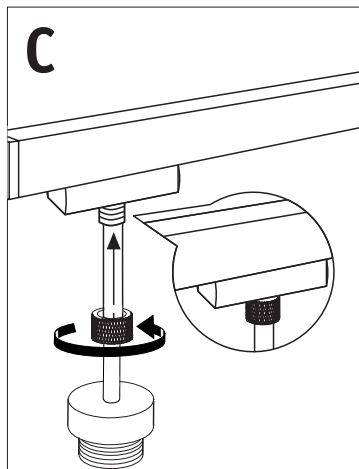
Safety Instructions
Nr.7,8

B



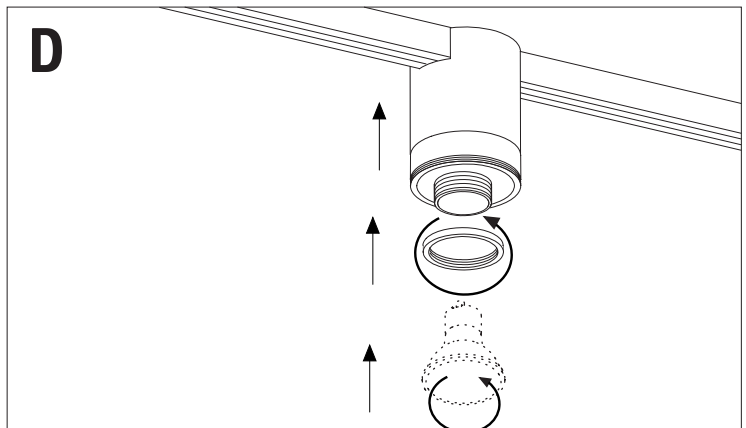
Safety Instructions
Nr.0

C



Safety Instructions
Nr.4

D



Safety Instructions
Nr.7,8