



Safety Instructions



0,1,4,6,7,8,9,11,15
22,23,26,27,28

Info Hotline

+49 (0) 5041 998 389

Mon. - Do. 7⁰⁰ - 20⁰⁰

Fr. 7⁰⁰ - 17⁰⁰



Paulmann Licht GmbH
31832 Springe / Germany
www.paulmann.com

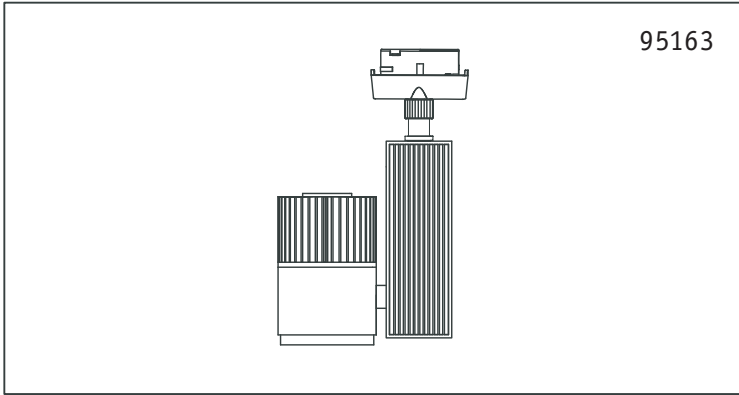
Art.-Nr.:

95163

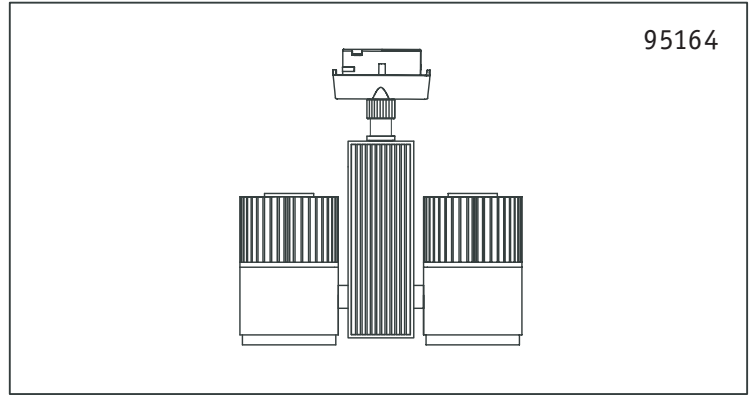
95164

(+MA 173)

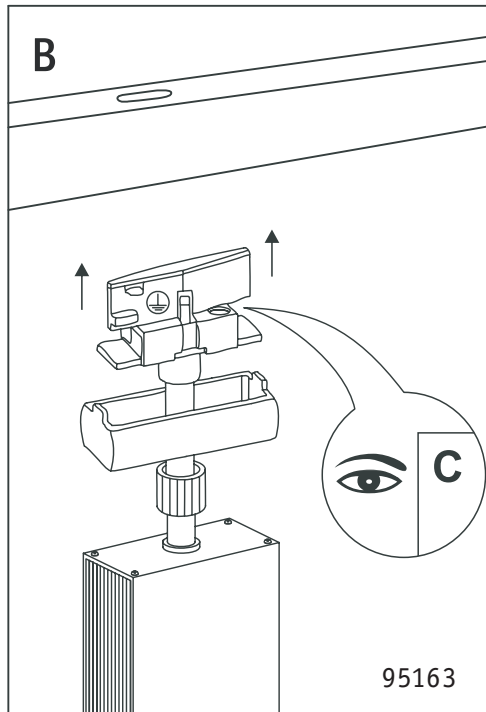
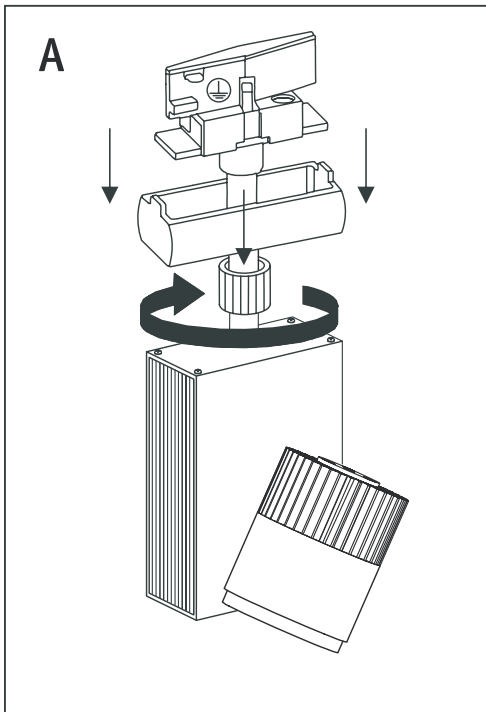
PEV 12/12



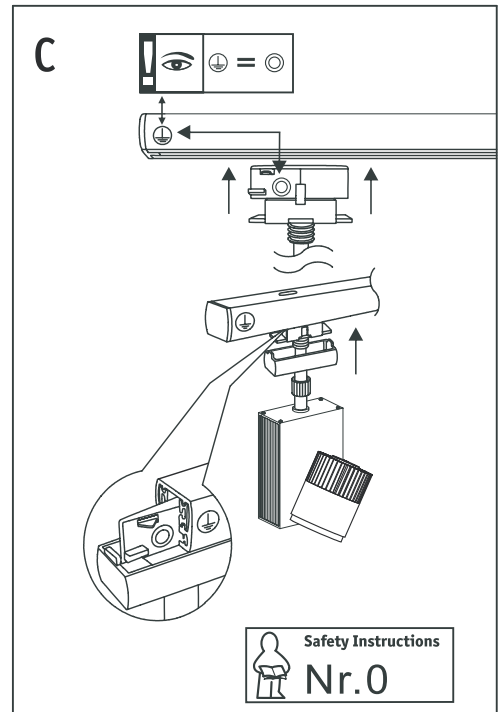
95163



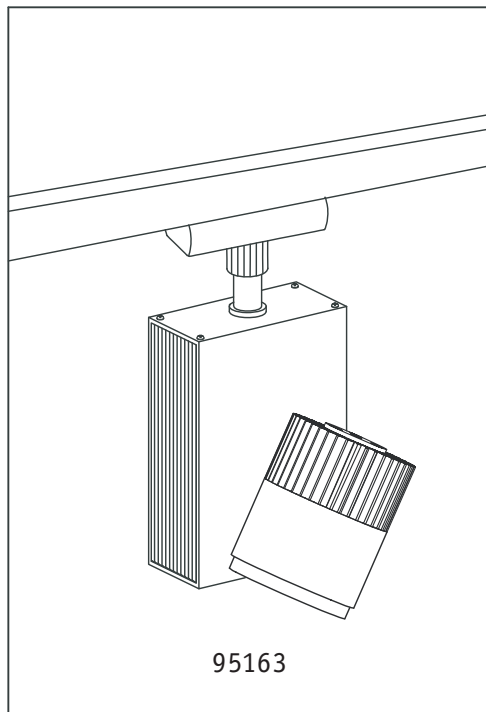
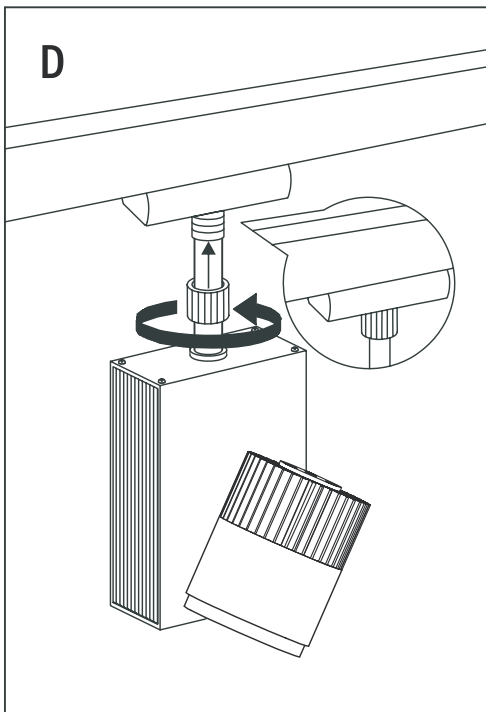
95164



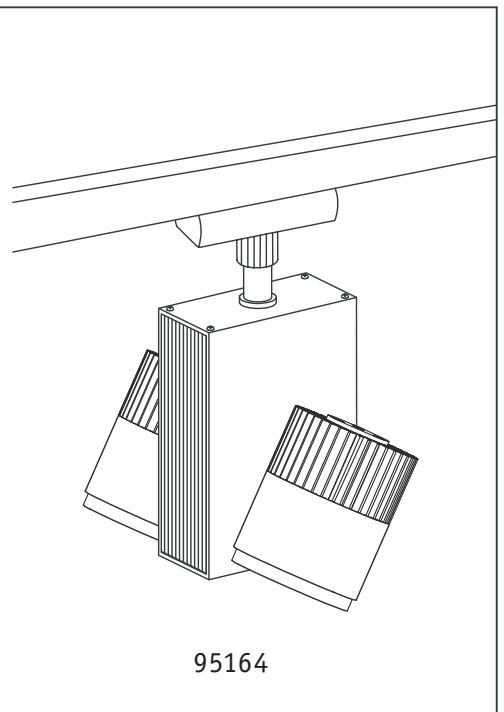
95163



Safety Instructions
Nr.0



95163



95164