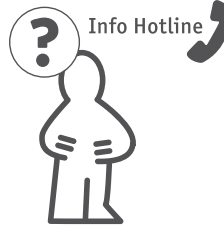




Safety Instructions



0,1,4,6,7,8,9,10,11,13,15
19,20,21,22,23,26,27,28



Info Hotline

+49 (0) 5041 998 389

Mon. - Do. 7⁰⁰ - 20⁰⁰

Fr. 7⁰⁰ - 17⁰⁰

Paulmann Licht GmbH
31832 Springe / Germany
www.paulmann.com

Art.-Nr.:

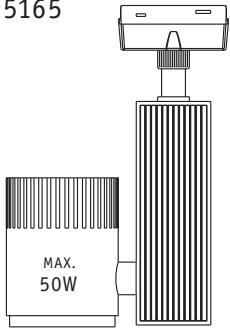
95165

95166

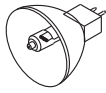
(+MA 173)

PEV 12/12 

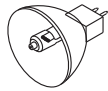
95165



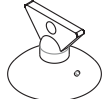
incl.
1 x 50W
GU5.3



Paulmann
Art.-Nr. 83246

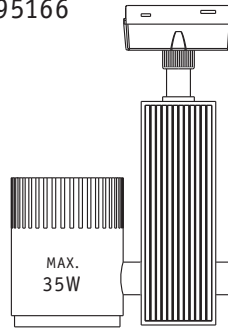


1x

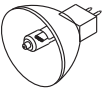


1x

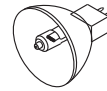
95166



incl.
2 x 35W
GU5.3



Paulmann
Art.-Nr. 83245

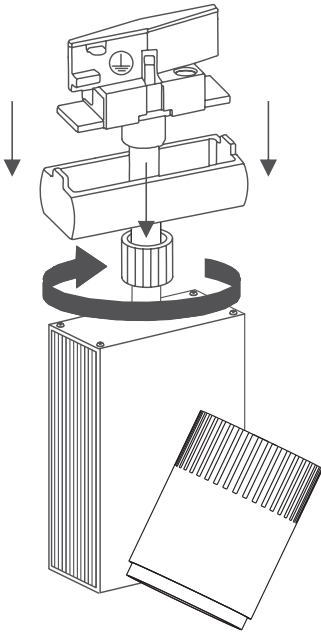


2x

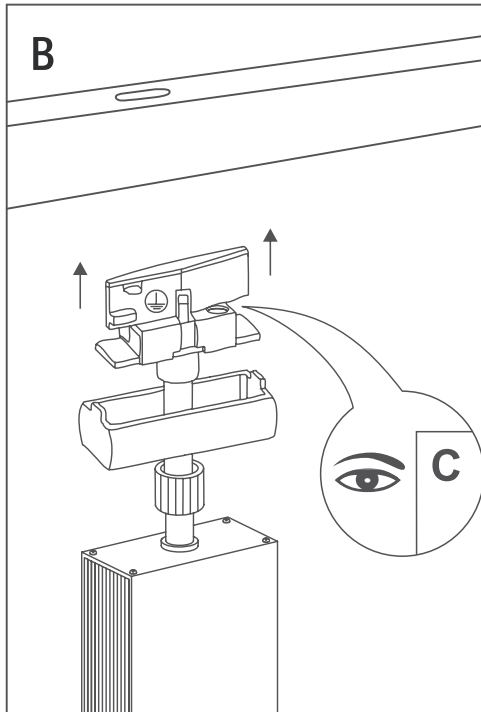


1x

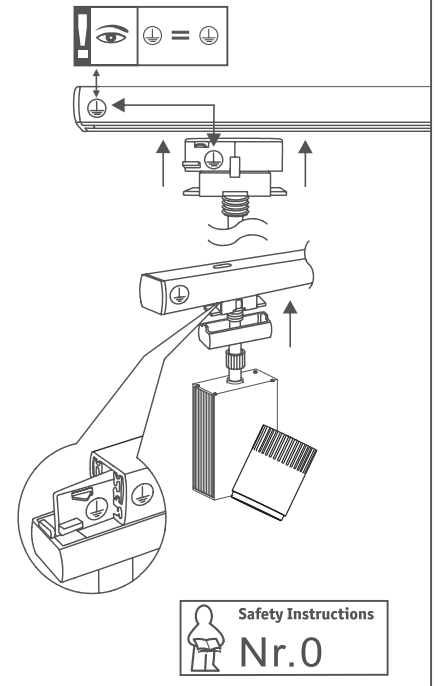
A



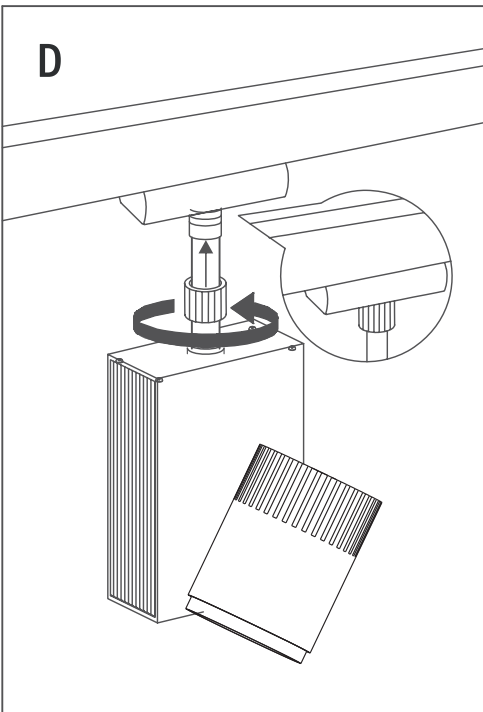
B



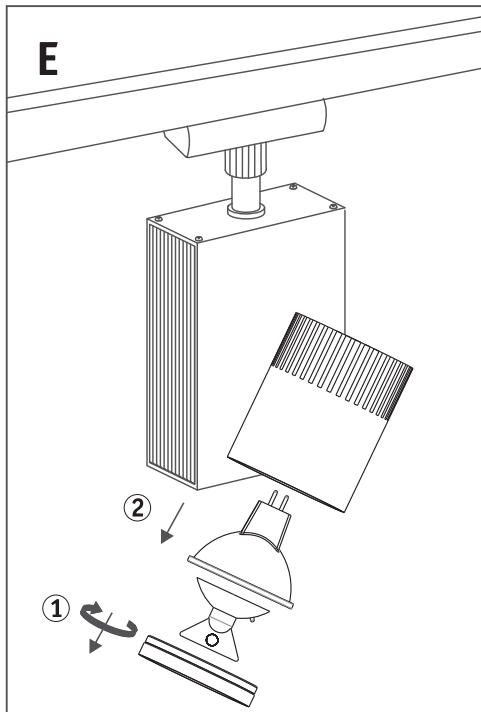
C



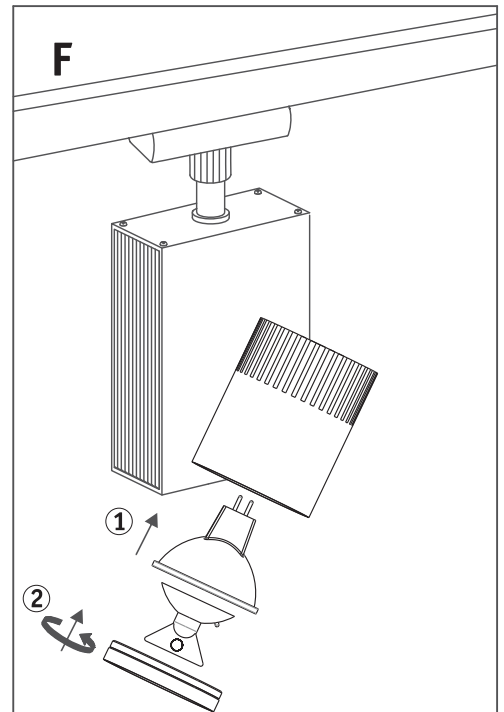
D



E



F



 Safety Instructions
Nr.0