



# Safety Instructions



0,1,4,6,7,8,11,15,22  
23

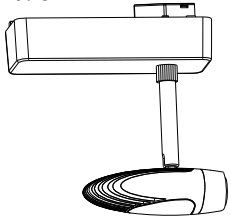


Info Hotline **+49 (0) 5041 998 389**  
Mon. - Do. 7<sup>00</sup> - 20<sup>00</sup>  
Fr. 7<sup>00</sup> - 17<sup>00</sup>

Paulmann Licht GmbH  
31832 Springe / Germany  
www.paulmann.com

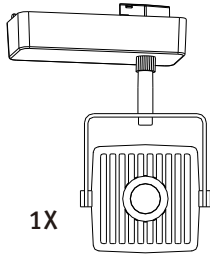
Art.-Nr.:  
**951.76**  
**951.78**  
**951.80**  
**952.19**  
(+MA 173)  
PSU 09/14

951.76



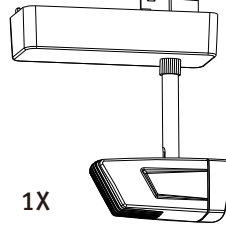
1X

951.78



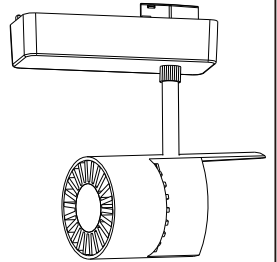
1X

951.80

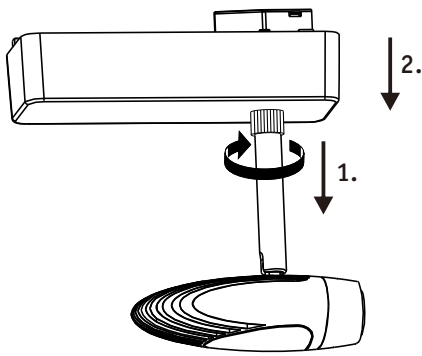


1X

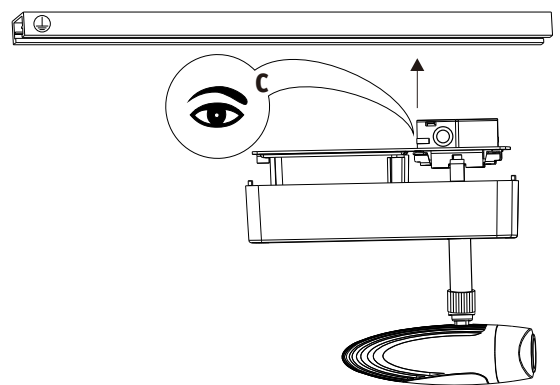
952.19



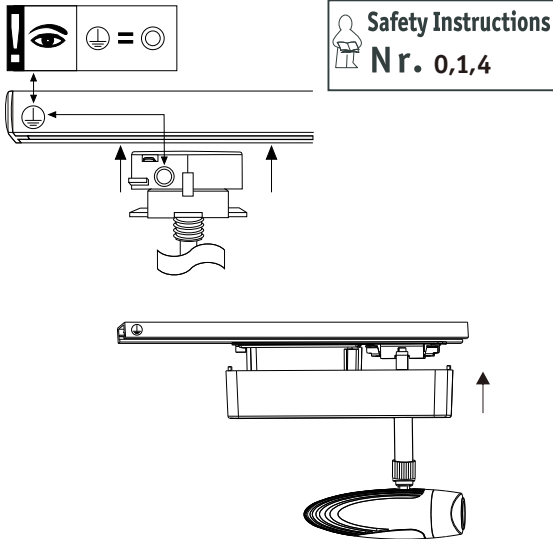
A



B



C



D

