



Safety Instructions




0,1,4,6,7,8,11,15,22
23

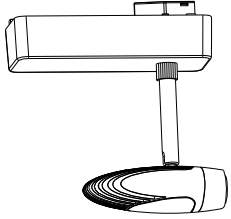


Info Hotline **+49 (0) 5041 998 389**
Mon. - Do. 7⁰⁰ - 20⁰⁰
Fr. 7⁰⁰ - 17⁰⁰

Paulmann Licht GmbH
31832 Springe / Germany
www.paulmann.com

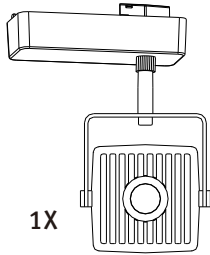
Art.-Nr.:
951.76
951.78
951.80
952.19
(+MA 173)
PSU 09/14 

951.76



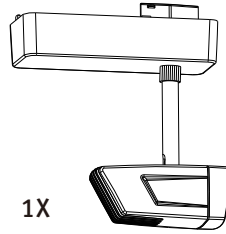
1X

951.78



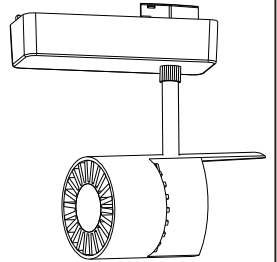
1X

951.80

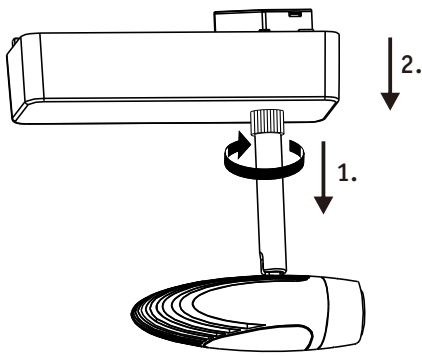


1X

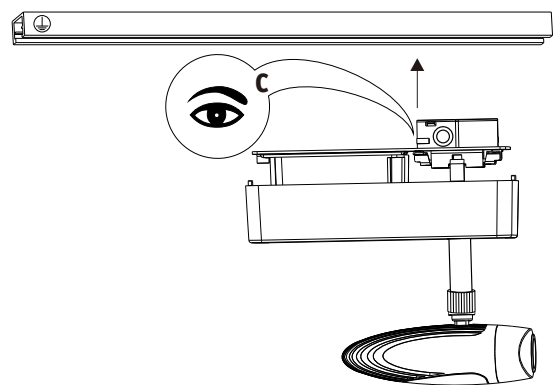
952.19



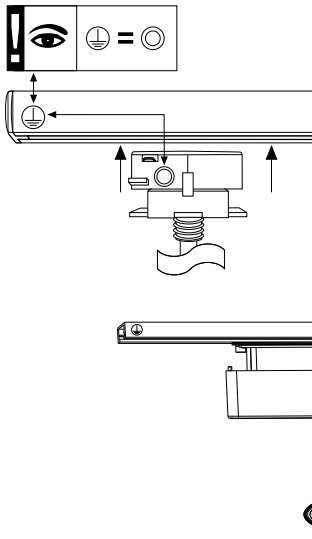
A



B



C



D

