



Paulmann

### Safety Instructions

1, 2, 3, 4, 5, 6, 7, 8, 11, 12, 15, 16,  
19, 20, 22, 23, 24, 26, 28, 33, 34



Info

[www.paulmann.com](http://www.paulmann.com)

Paulmann Licht GmbH  
Quezinger Feld 2  
31832 Springe  
Germany

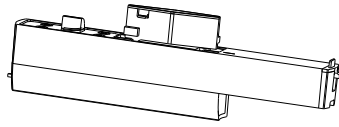
[www.paulmann.com](http://www.paulmann.com)

Art.-Nr.: 952.94  
952.95  
952.96

(+MA326) PSU 02/22



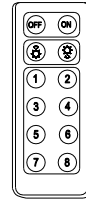
952.94  
952.95



1x



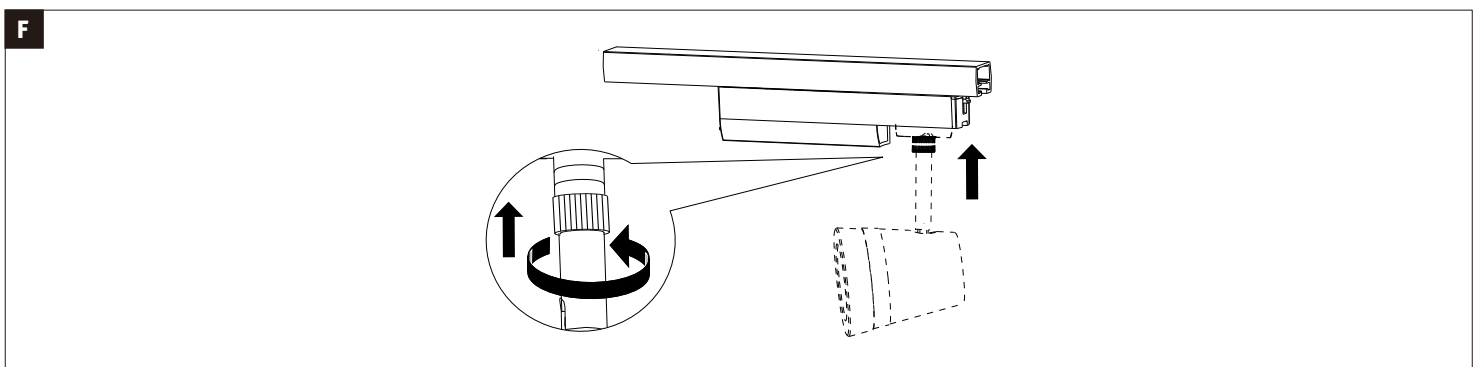
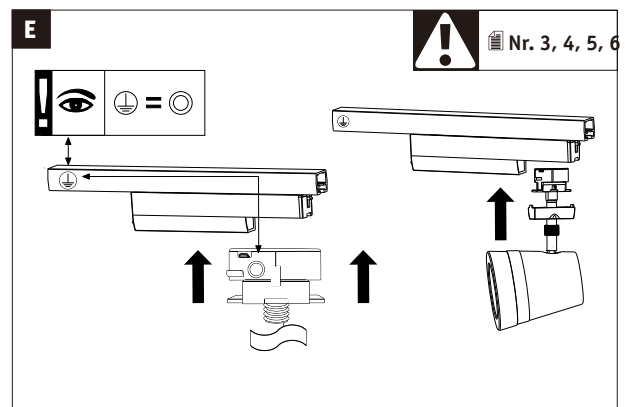
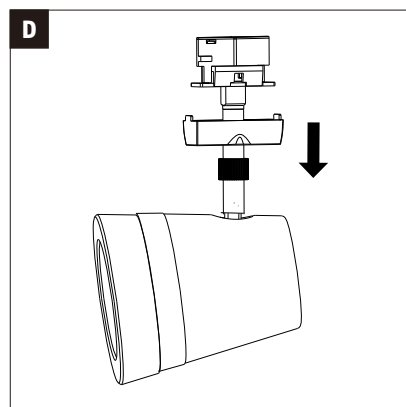
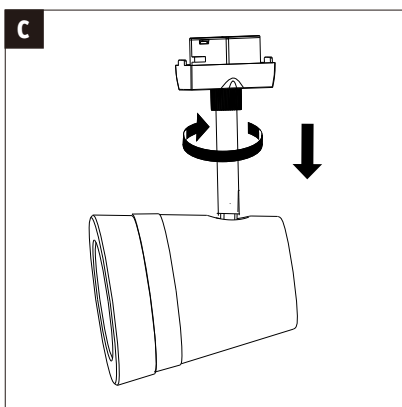
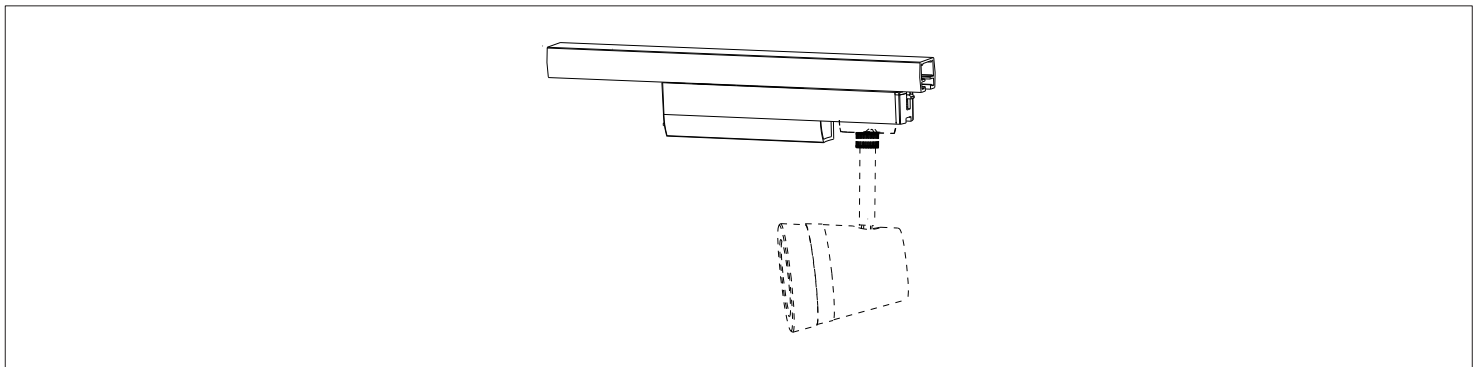
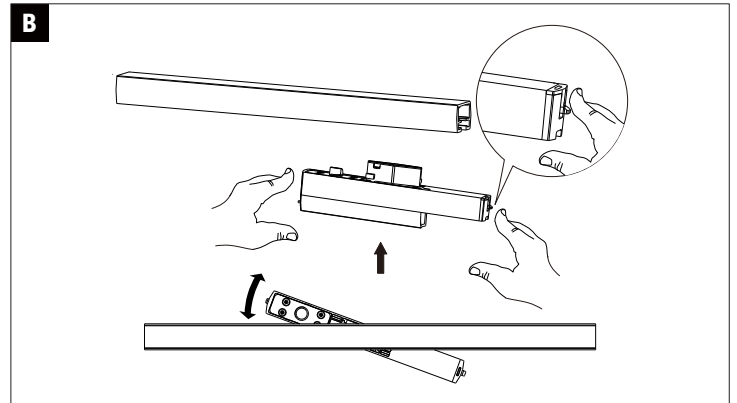
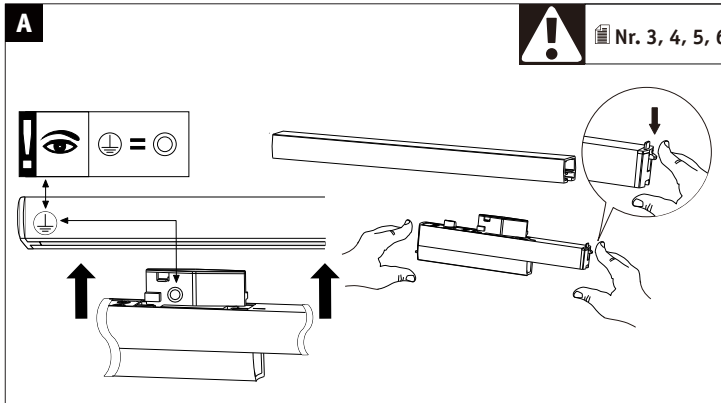
952.96

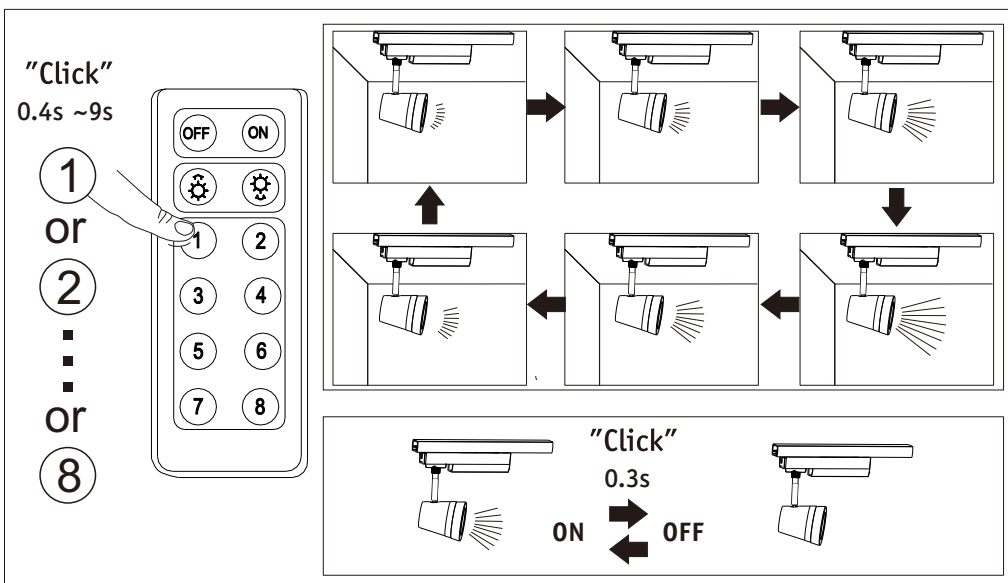
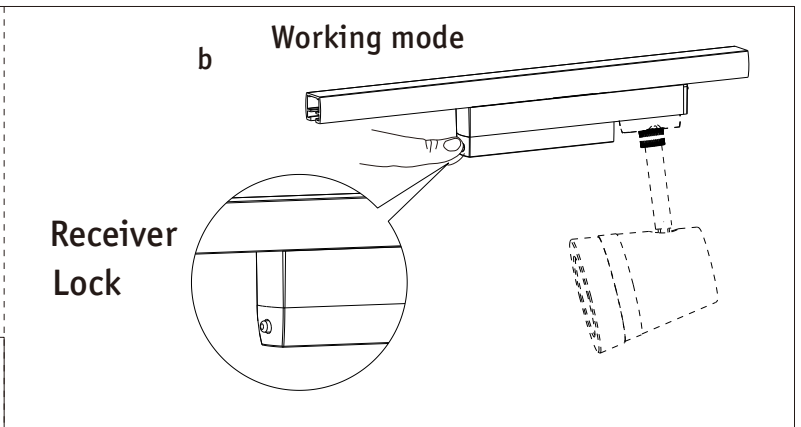
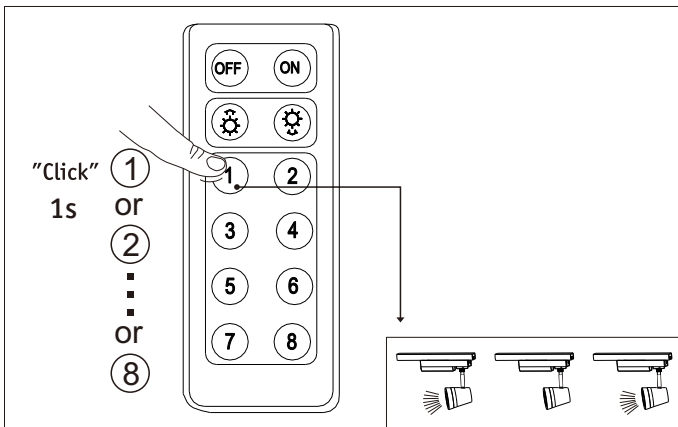
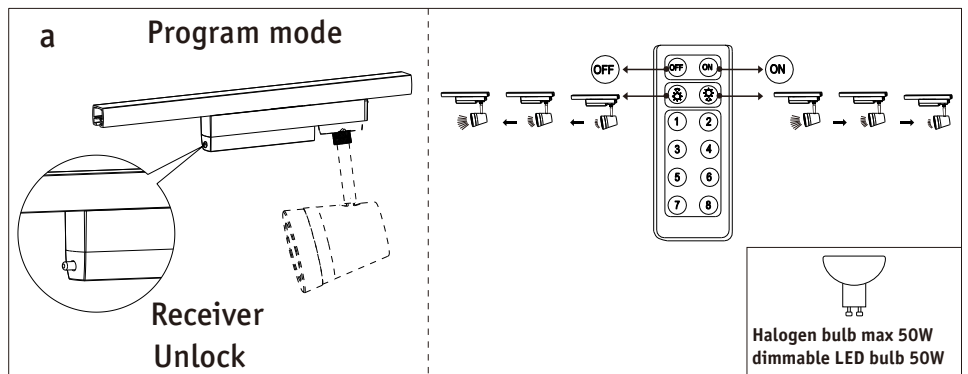
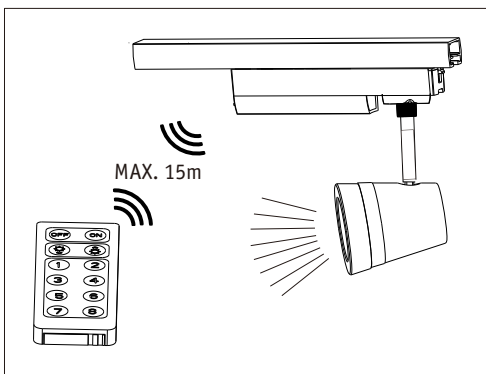
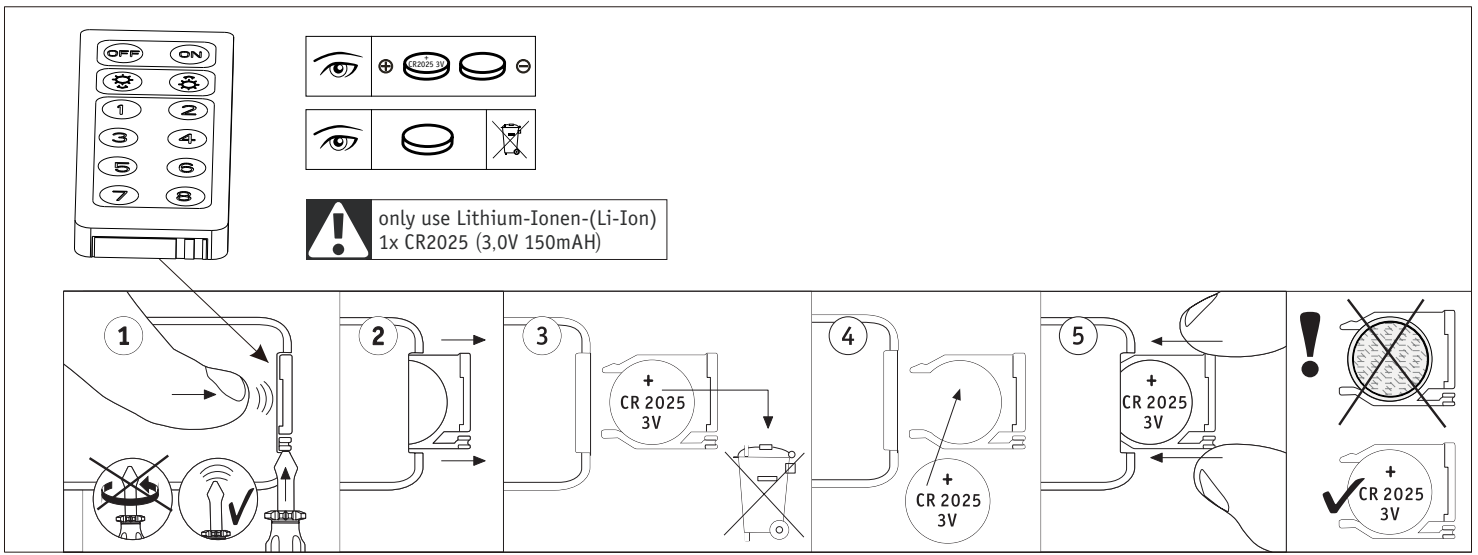


1x



Li-Ion





Zugelassen für den Betrieb in allen Ländern der EU / Approved for operating in all European countries

CE: Konform mit / in accordance with / conformement a 2014/30/EU, 2014/53/EU  
<http://www.paulmann.com/de/de/b2b-haendler-log-in.html>

2,4 GHz -  
2,4835 GHz

NO

doesn't apply for the geographical area within a radius of 20km from the centre on "Ny Alesund"