



Safety Instructions

0,1,2,3,4,6,7,8,9,10,11,12,
13,14,15,16,17,20,21,22,
23,24



Info Hotline



+49 (0) 5041 998 389

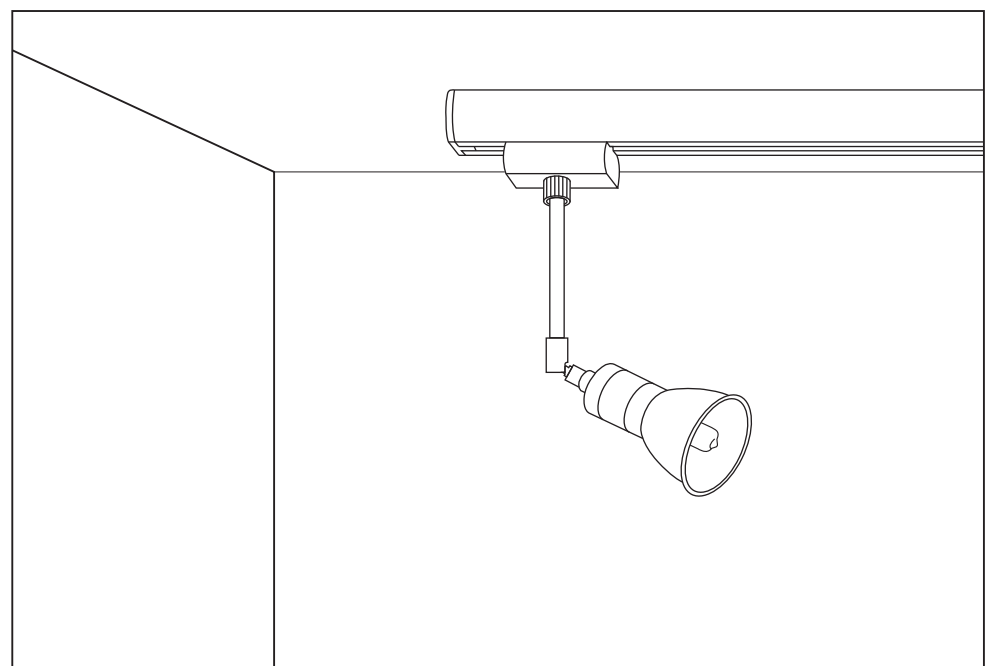
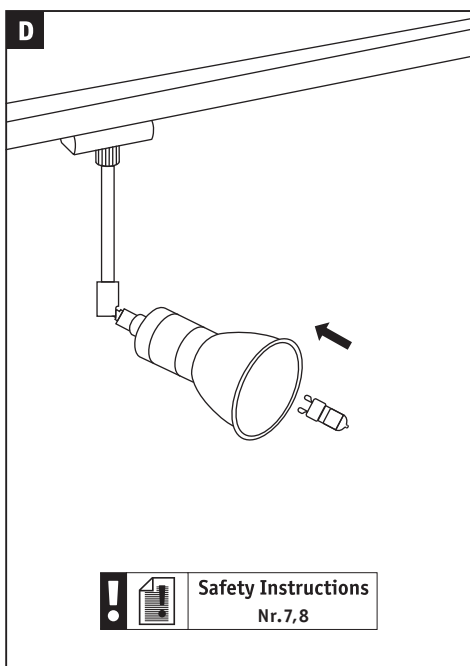
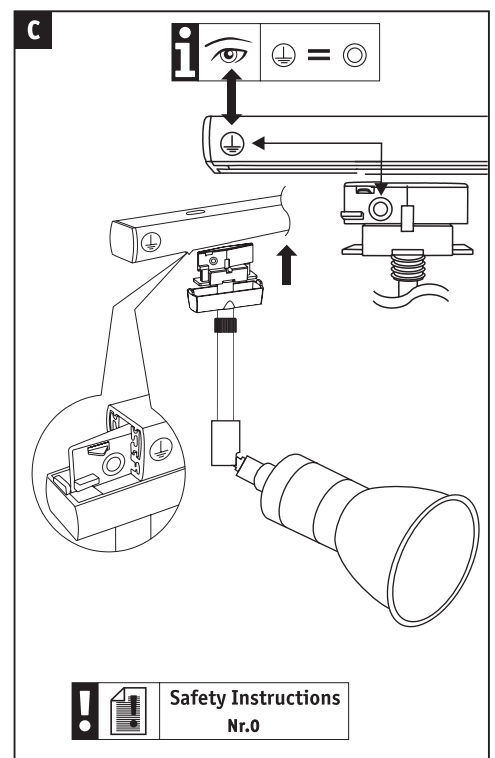
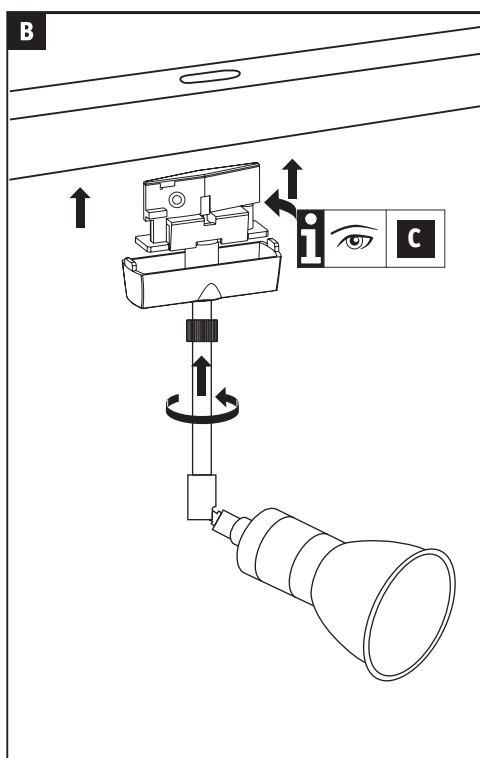
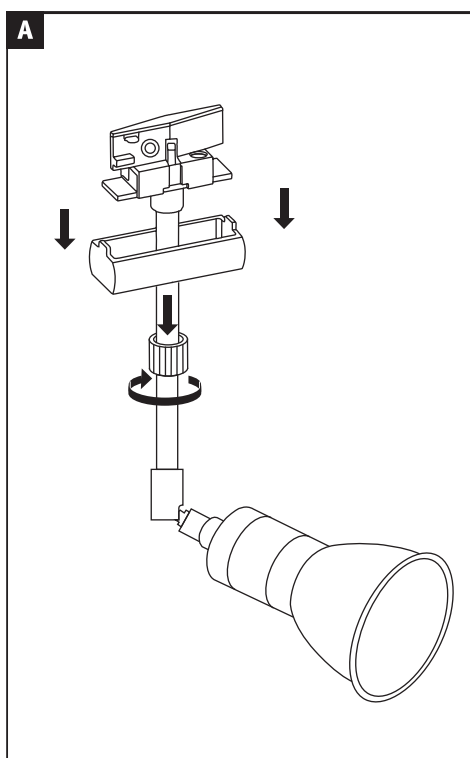
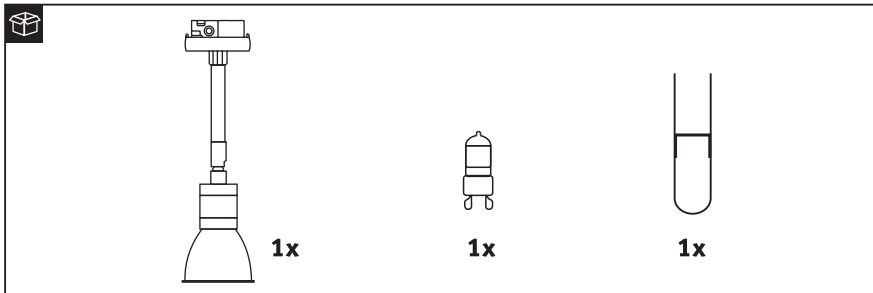
Mon. - Do. 7⁰⁰ - 20⁰⁰
Fr. 7⁰⁰ - 17⁰⁰

Paulmann Licht GmbH
Quezinger Feld 2
31832 Springe
Germany

www.paulmann.com

Art.-Nr.: **953.07 953.08**

(+MA173)PB0 08/15



Safety Instructions
Nr.7,8

Safety Instructions
Nr.0