



Paulmann

Safety Instructions

1,2,3,4,5,6,8,11,12,14,15,
16,19,20,22,24,33,34



31.08.2021

01.09.2021



A++ - A

G



www.paulmann.com/symbols

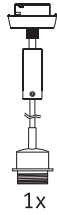
Paulmann Licht GmbH
Quezinger Feld 2
31832 Springe
Germany



www.paulmann.com

Art.-Nr.: 953.61

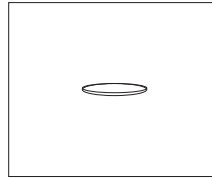
(+MA326) PH 07/22



1x



1x



incl.



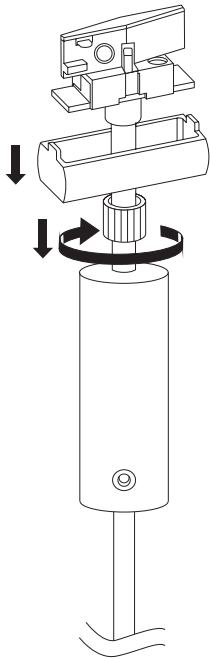
incl.
3W 30mm GU10

Art.-Nr.282.24
www.paulmann.com

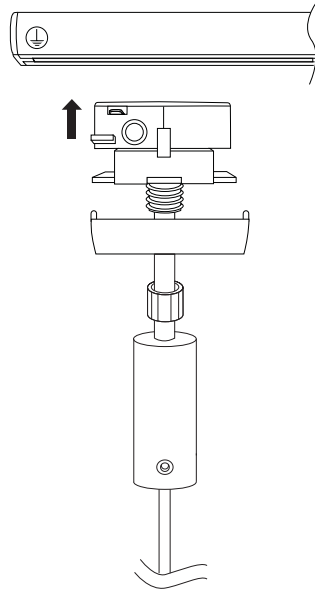
A



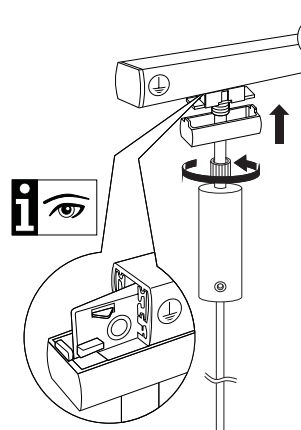
Safety Instructions
Nr. 4, 5



B



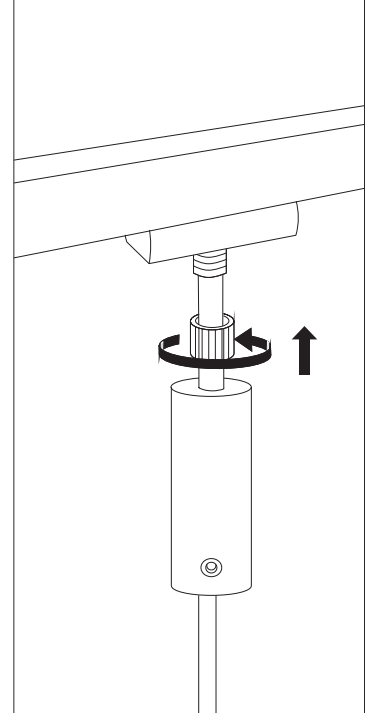
Nr.14,15,19,



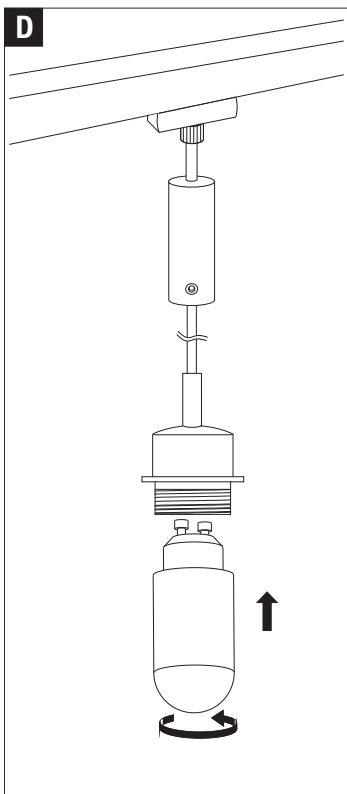
C



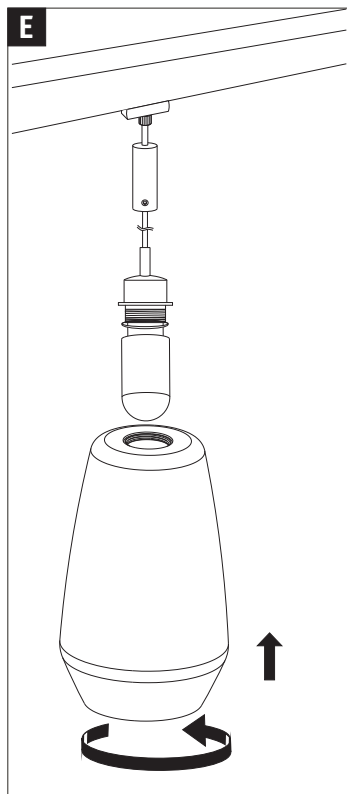
Nr.14,15,19,



D



E



F

