

Safety Instructions



0,1,4,6,7,8,9,11,15,
20,22,26,27.



Info Hotline

+49 (0) 5041 998 389

Mon. - Do. 7⁰⁰ - 20⁰⁰

Fr. 7⁰⁰ - 17⁰⁰



Paulmann Licht GmbH
31832 Springe / Germany
www.paulmann.com

Art.-Nr.:

968.51

968.68

976.81

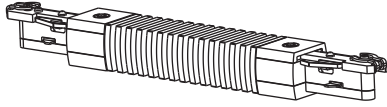
968.88

968.89

968.90

(+MA 173)

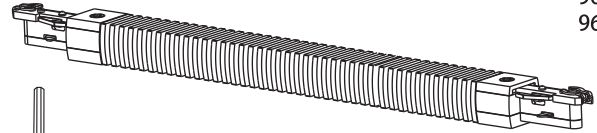
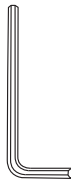
PB0 05/11



968.51
968.68
976.81

1x

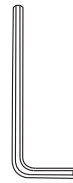
incl.



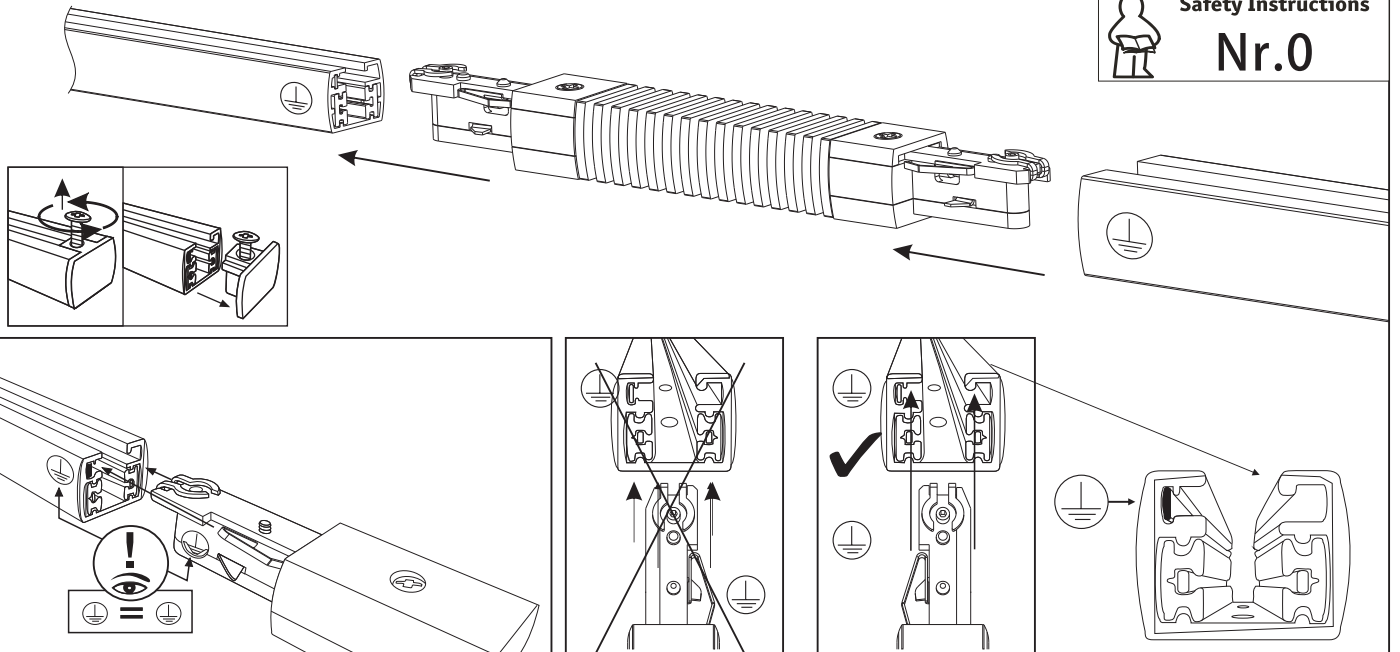
968.88
968.89
968.90

1x

incl.



A



Safety Instructions

Nr.0

B

