



# Safety Instructions



0,1,2,4,6,11,15,22



Info Hotline

+49 (0) 5041 998 389

Mon. - Do. 7<sup>00</sup> - 20<sup>00</sup>

Fr. 7<sup>00</sup> - 17<sup>00</sup>

Paulmann Licht GmbH  
31832 Springe / Germany  
www.paulmann.com

Art.-Nr.:

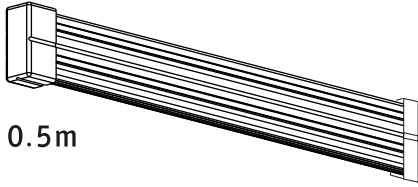
973.24

973.57

(+MA 173)

PH 08/09

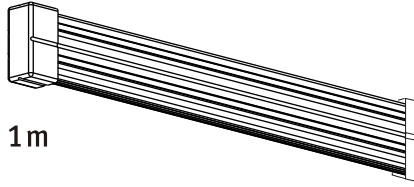
97357



0.5m

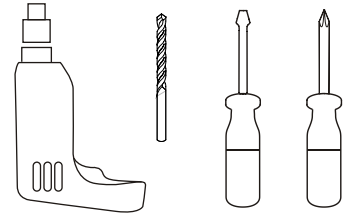
1x

97324



1m

1x

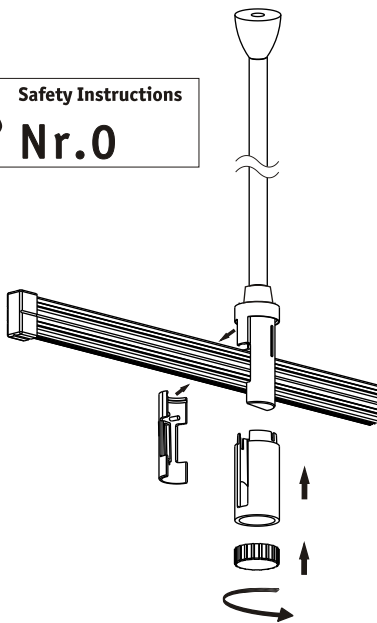


A



Safety Instructions

Nr.0

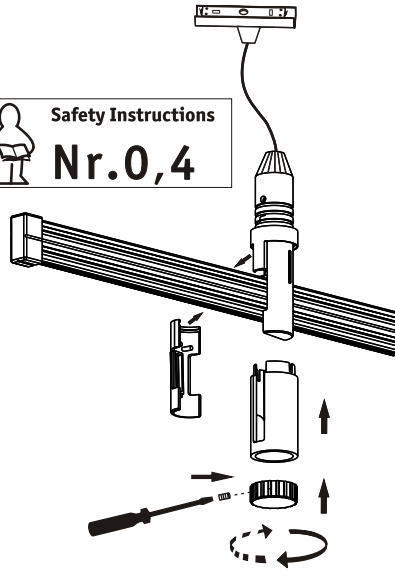


B



Safety Instructions

Nr.0,4



C



Safety Instructions

Nr.0,4

